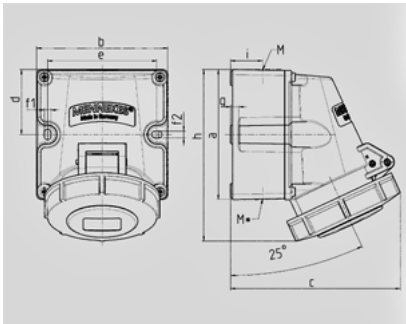


Receptacle - Part no. 9520


- screw terminals
- highly resistant to chemicals
- with highly heat resistant contact carrier
- nickel plated contacts
- with 2 external fixing holes
- receptacles are designed for adding an auxiliary contact switch
- enclosure base can be turned 180°

| Technical information | |
|-----------------------|---------------------------------------------------------------|
| Ampere | 16 A |
| Poles | 5 p |
| Voltage | 400V |
| Earth position | 6 h |
| Hertz | 50-60 Hz |
| Connection technology | Screw terminals |
| Contact | nickel plated contacts, highly heat resistant contact carrier |
| Protection type | IP 67 |



| Drawing 1 MB 622 | Amp. Poles | 16 | | | 32 | | |
|---------------------|-----------------------------------------------------|-----------------------------------------------------|------|------|-----------------------------------------------------|------|------|
| | | 3 | 4 | 5 | 3 | 4 | 5 |
| Dim. in mm | a | 100 | 100 | 100 | 100 | 100 | 100 |
| | b | 101 | 101 | 101 | 109 | 109 | 109 |
| | c | 117 | 125 | 131 | 157 | 157 | 160 |
| | d | 50 | 50 | 50 | 50 | 50 | 50 |
| | e | 84 | 84 | 84 | 92 | 92 | 92 |
| | f1 | 5,3 | 5,3 | 5,3 | 5,3 | 5,3 | 5,3 |
| | f2 | 5,3 | 5,3 | 5,3 | 5,3 | 5,3 | 5,3 |
| | g | 6,5 | 6,5 | 6,5 | 6,5 | 6,5 | 6,5 |
| | h | 131 | 131 | 132 | 148 | 148 | 148 |
| | i | 24,7 | 24,7 | 24,7 | 27,5 | 27,5 | 27,5 |
| | M | 25 (optional M20) | | | 32 (optional M25) | | |
| | M* | 2x25 (blind) to be cut out 18 (M25) and 15 (M20) | | | 2x25 (blind) to be cut out 25 (M32) and 18 (M25) | | |
| | Max. cable diam. (mm) | 1,5 | | | 2,5 | | |
| | Terminal for cond. cross section (mm²) min.-max. | 1,5 1,5 1,5 | | | 2,5 2,5 2,5 | | |
| | | -4 -4 -4 | | | -6 -6 -6 | | |