

THIS DRAWING IS UNPUBLISHED.

RELEASED FOR PUBLICATION

ALL RIGHTS RESERVED.

© COPYRIGHT - By -

LOC J

DIST -

REVISIONS

変更

DESCRIPTION

DATE

DWN

APVD

P

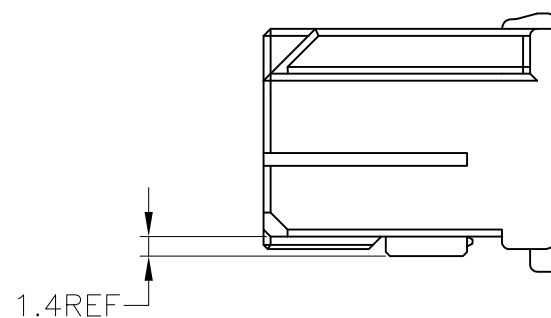
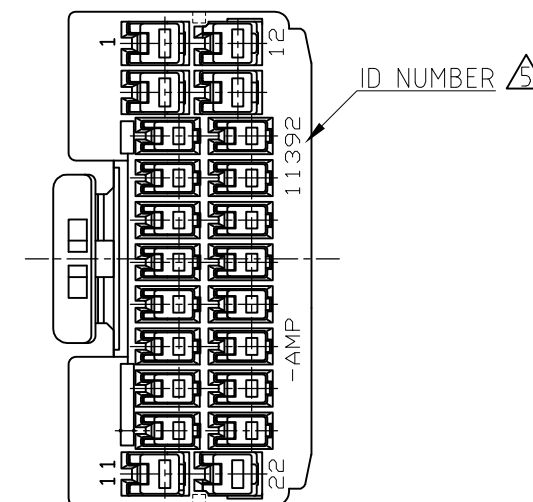
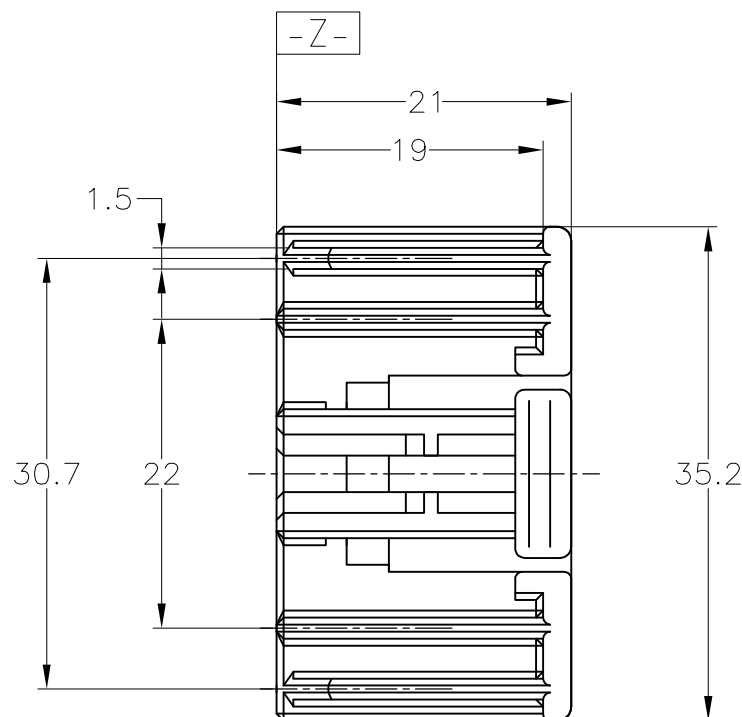
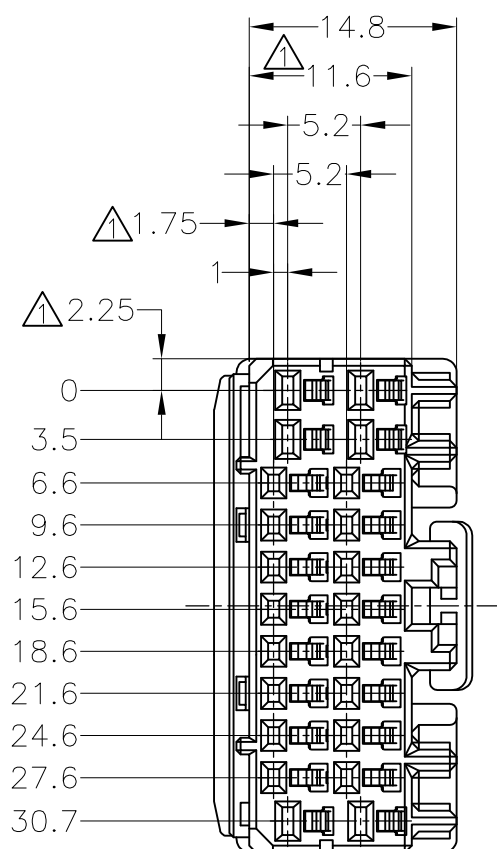
LTR

REVISD PER ECO-11-005140

28MAR11

RK

HMR



- ① MUST BE KEPT BETWEEN -Z- AND 2mm
- 2. THE MATING CAP HOUSING PART NUMBER ; 178764
- 3. APPLIED CONTACT PART NUMBER ; 175265, 175266, 175268, 175269
- 4. APPLICABLE PRODUCT SPEC. NUMBER; 108-5342
- ⑤ RETAINER COLOR; ALL WHITE

- ① -Z- 面より 2mmの範囲で測定
- 2. 嵌合相手ハウジング型番 : 178764
- 3. 内装するリセプタクルコンタクト型番 : 175265, 175266, 175268, 175269
- 4. 適用製品規格番号 : 108-5342
- ⑤ リテーナーは全て白色

淡灰 (LIGHT GRAY)	6-917989-6
黄 (YELLOW)	917989-7
灰 (DARK GRAY)	917989-6
青 (BLUE)	917989-5
SEE DRAWING 917989-4	917989-4
黒 (BLACK)	917989-2
白 (WHITE)	917989-1
⑤ 色 (COLOR)	PART NUMBER

TOLERANCES UNLESS OTHERWISE SPECIFIED:	
一般公差	
10 ≥	± 0.2
30 ≥ > 10	± 0.25
100 ≥ > 30	± 0.3
ANGLE	± 3°

THIS DRAWING IS A CONTROLLED DOCUMENT.	
DIMENSIONS: 単位: 耗 mm	TOLERANCES UNLESS OTHERWISE SPECIFIED: 一般公差
	0 PLC ± -
	1 PLC ± -
	2 PLC ± -
	3 PLC ± -
	4 PLC ± -
	ANGLES ± -
MATERIAL 材料 PBT	FINISH 仕上 -

DWN	M.SUGAWARA	25MAY06
CHK	T.SHINOHARA	25MAY06
APVD	K.BETSUI	25MAY06
PRODUCT SPEC	製品規格	
APPLICATION SPEC	取付適用規格	
WEIGHT	-	
CUSTOMER DRAWING		

<b>STE</b> TE Connectivity			
040/070 HYBRID I/O CONNECTOR MK-II 22POSITION PLUG HOUSING			
SIZE	CAGE CODE	DRAWING NO	RESTRICTED TO
A3	00779	C-917989	-
SCALE	SHEET	REV	
尺度 2:1	1 OF 1	A2	