

# Polynova PJ



## INDEX

[Leaflet](#)  
[Catalogue Information](#)  
[Technical Drawings](#)

## WEB LINKS

[Polynova PJ Information Page](#)  
[Ask a question / Send us an enquiry](#)  
[Information about B&R](#)  
[Local Sales Team Phone Numbers](#)

## Features

- Opaque parts manufactured from noryl, a thermoplastic self-extinguishing material
- Stainless steel cover screws
- UV stabilised

### Approvals

- CE marked
- UL94, V1 rating
- IEC695-2-1, 960°C glow wire test



### OVERVIEW

The Polynova PJ is a range of adaptable thermoplastic enclosures designed to house terminations and electrical components in individual boxes or assembled into a suited configuration.

### MATERIALS

- Body – Opaque parts – noryl  
Transparent parts – polycarbonate
- Surface finish – Natural RAL7035

### APPLICATION

Typically used for terminations, low voltage control and distribution applications.

### INCLUSIONS

- Stainless steel screws



# Polynova PJ

## SELECTION GUIDE

Catalogue No.		Dimensions (mm)				Weight (kg)
Opaque	Transparent	Height	Width	Depth	Cover Depth	
PJ110706	PJ110706T	110	75	65	15	0.1
PJ111106	–	110	110	65	15	0.2
PJ151107	PJ151107T	150	110	75	15	0.2
PJ151507	PJ151507T	150	150	75	15	0.3
PJ221507	PJ221507T	220	150	75	15	0.4
PJ302207	PJ302207T	300	220	75	15	0.7
PJ180908*	–	180	90	85	19	0.3
PJ151110	PJ151110T	150	110	100	40	0.3
PJ151510	PJ151510T	150	150	100	40	0.4
PJ221510	PJ221510T	220	150	100	40	0.4
PJ302210	PJ302210T	300	220	100	40	0.8
PJ111111	PJ111111T	110	110	112	62	0.2
PJ151115	PJ151115T	150	110	150	90	0.3
PJ151515	PJ151515T	150	150	150	90	0.4
PJ221515	PJ221515T	220	150	150	90	0.5
PJ302215	PJ302215T	300	220	150	90	0.9

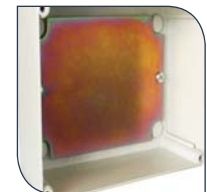
\* PJ180908 is rated to IP66

## ACCESSORIES

Product	Description	Catalogue No.
Mounting pan – metal	88x88mm	PJ1111/M
	125x88mm	PJ1511/M
	125x125mm	PJ1515/M
	155x68mm	PJ1809/M
	198x125mm	PJ2215/M
	275x198mm	PJ3022/M
Wall mounting brackets	Non-metallic (2)	PJ/WMB
	85mm	PJ/D11
DIN rail – aluminium	125mm	PJ/D15
	195mm	PJ/D22
	275mm	PJ/D30



Wall-mount brackets



Metal mounting pan

### National Sales

P 1300 Enclosures (1300 362 567)

F 1300 796 599

E sales@brenclosures.com.au

[brenclosures.com.au](http://brenclosures.com.au)

**Queensland**  
**North Queensland**  
**New South Wales**  
**Newcastle**

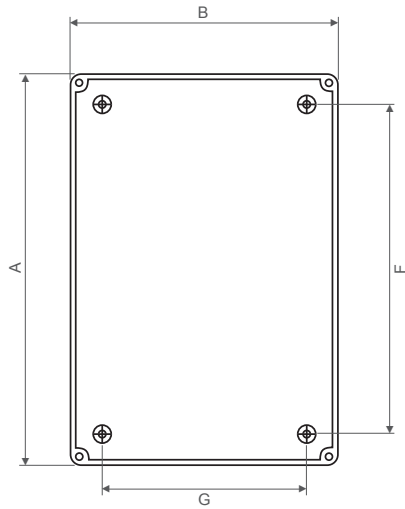
**P +61 7 3714 1111**  
**P +61 7 4727 1900**  
**P +61 2 9915 9555**  
**P +61 2 4961 4433**

**Victoria**  
**South Australia**  
**Northern Territory**  
**Western Australia**

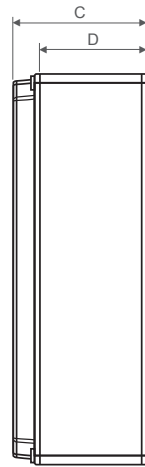
**P +61 3 9552 0552**  
**P +61 8 8417 6222**  
**P +61 8 8947 0870**  
**P +61 8 6310 4777**



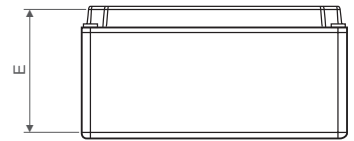
# Technical Drawings



Front View



Side View



Bottom View

		Dimensions (mm)						
		External			Internal Depth		Mounting Centres	
Opaque	Transparent	A	B	C	D	E	G	H
PJ110706	PJ110706T	110	75	65	50	53	75	40
PJ111106	-	110	110	65	50	53	75	75
PJ151107	PJ151107T	150	110	75	60	62	115	75
PJ151507	PJ151507T	150	150	75	60	62	115	115
PJ221507	PJ221507T	220	150	75	60	62	185	115
PJ302207	PJ302207T	300	220	75	60	62	265	185
PJ180908	-	180	90	85	66	72	140	60
PJ151110	PJ151110T	150	110	100	60	87	115	75
PJ151510	PJ151510T	150	150	100	60	87	115	115
PJ221510	PJ221510T	220	150	100	60	87	185	115
PJ302210	PJ302210T	300	220	100	60	87	265	185
PJ111111	PJ111111T	110	110	112	60	100	75	75
PJ151115	PJ151115T	150	110	150	60	137	115	75
PJ151515	PJ151515T	150	150	150	60	137	115	115
PJ221515	PJ221515T	220	150	150	60	137	185	115
PJ302215	PJ302215T	300	220	150	60	137	265	185