


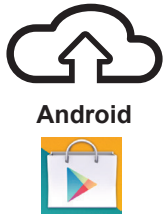
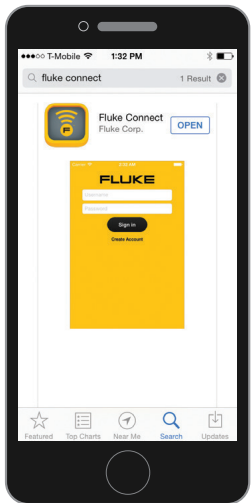
Ti200, Ti300, Ti400, Ti450, Ti480 Thermal Imagers

 See *Users Manual* for "Safety Information" and complete operating information.

Go to www.fluke.com to register your product and find more information.

To download SmartView® software visit www.fluke.com/smartviewdownload.

Install Fluke Connect® App



1. Start the Fluke Connect Mobile App.
2. Log in to the app.

Go to www.flukeconnect.com

WiFi Setup

1

2

F2 > **MENU** > **Fluke Connect** >
Pair to Fluke Connect Mobile App (WiFi : ON)

Ok / **F1**

3

iOS Settings / **Android Settings**

Wi-Fi FLUKE-Camera >

4

Fluke Connect®

5

Thermal Imager

Push Save on the thermal imager to view the image here

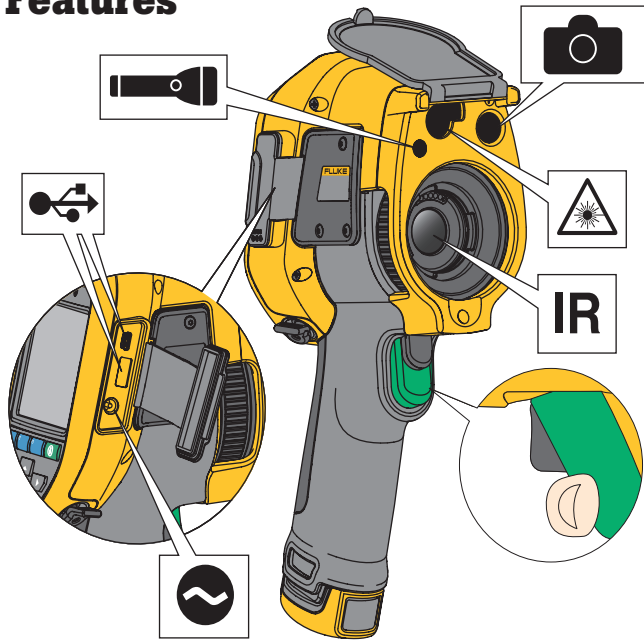
6 Capture

Save / **Edit** / **Cancel**

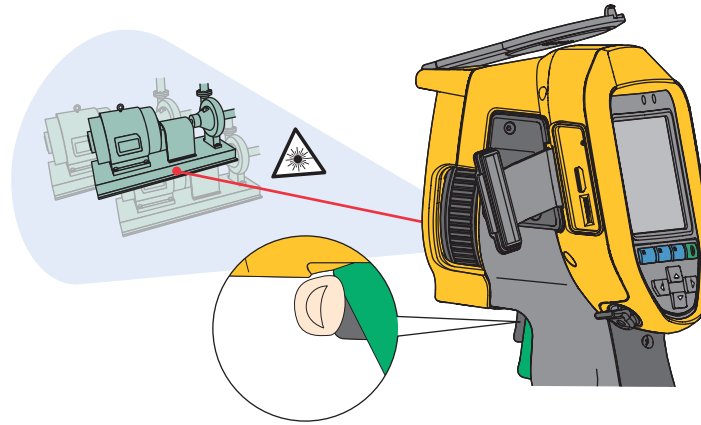
7 Save

Save / **F1**

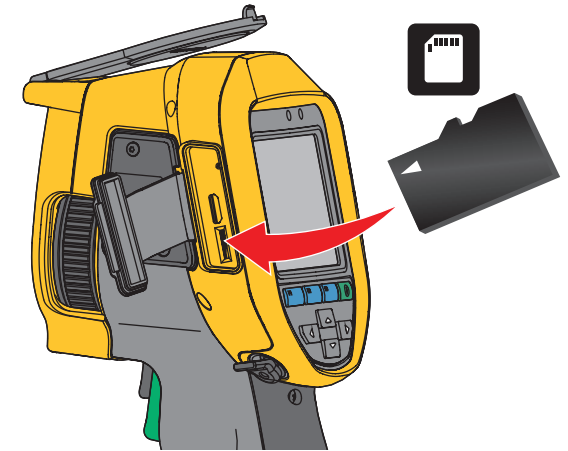
Features



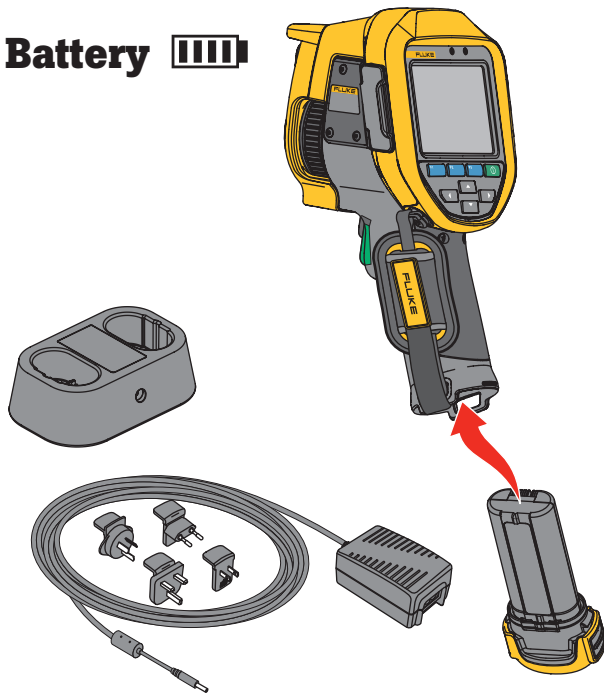
LaserSharp Auto Focus® Capture



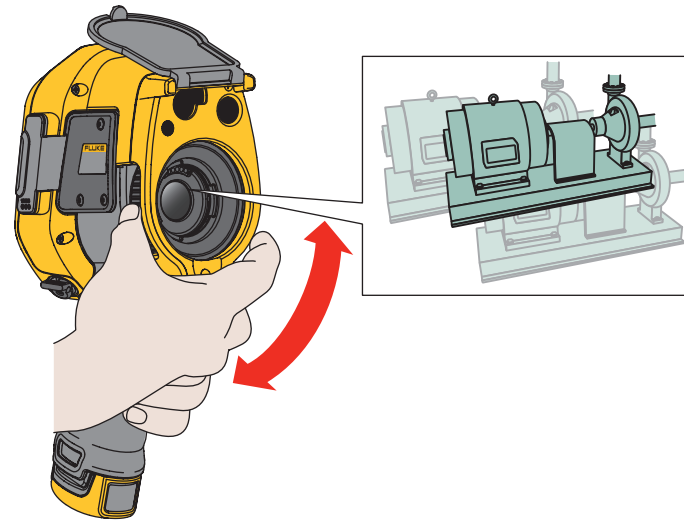
Micro SD Memory Card



Battery



Manual Focus



USB Connector

