

Actuator

92-
140.000

Distribution by
Rs-online



<https://rs-online.eao.com/component/92-140.00...>

Your product:



92-140.000 Actuator

FRONT

Front dimension:	18,8 mm x 18,8 mm
Front form:	Square
Front bezel colour:	Black
Front bezel material:	Plastic

MOUNTING

Design:	PCB
Mounting type:	Panel mounting

MECHANICAL CHARACTERISTICS

Tightening torque:	Fixing nut max. 0.5 Nm, Fixing screw mounting flange 0.4 Nm
Weight:	0.018 kg

AMBIENT CONDITION

IP front protection:	IP67
IP Protection:	IP67 front side
Operating temperature:	- 25 °C ... + 70 °C
Storage temperature:	- 40 °C ... + 80 °C

CERTIFICATE

Approbations:	CQC
Conformities:	CE, UKCA, 2011 / 65 / EC (RoHS), 2014 / 35 / EU (LVD)

REACH: REACH compliant

RoHS: RoHS compliant

OTHER

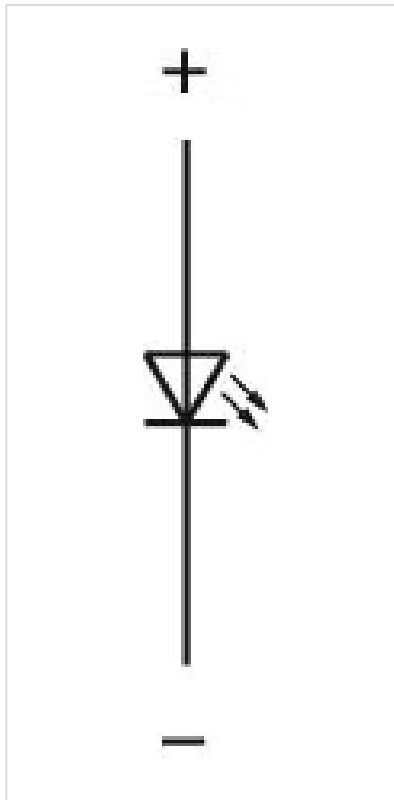
Short Description: Actuator, 18,8 mm x 18,8 mm, Square, Black, Plastic, IP67

Dimension: 18,8 mm x 18,8 mm

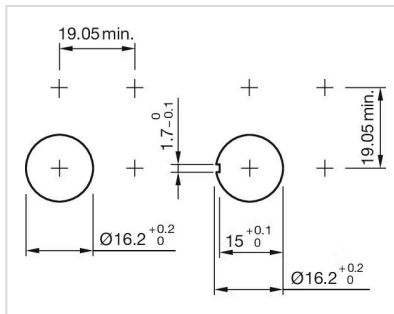
Housing colour: Black

Housing material: Plastic

Wiring diagrams:



Mounting cut-outs:



Dimension drawings:

