



ENGLISH

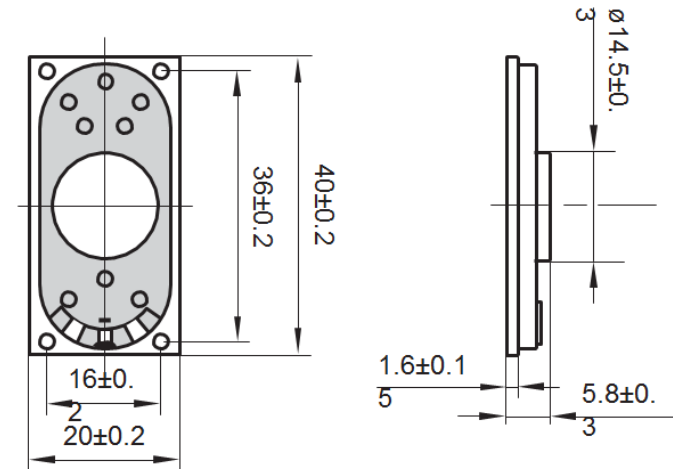
## Datasheet

# RS Pro 4Ω 2W Miniature Speaker 40 x 20 x 5.8mm (LxWxD)

RS Stock No: 756-4615

### Specifications

Rated impedance	
Rated power	2.0W
Maximum power	3.0W
Resonant frequency	400±20%Hz
Rated sound pressure level at 0.5W/1M	83±3dB
Frequency range	200Hz-20KHz
Housing material	Metal
Magnet size	11x1.5
Magnet material	Nd-Fe-B
Operating temperature	-20°C~+60°C
Storage temperature	-30°C~+70°C
Weight	7.6g±5%



Dimensions Unit: mm

### Features

- ROHS compliant
- Low profile, rectangular speaker
- High handling capacity
- Cone material: Black cloth

All data at 25°C unless otherwise specified