

# Combination type 1/2 protective device - FLT-SEC-ZP-3C-255/7,5 - 1074739

Please be informed that the data shown in this PDF Document is generated from our Online Catalog. Please find the complete data in the user's documentation. Our General Terms of Use for Downloads are valid (<http://phoenixcontact.com/download>)




Lightning current arrester, in acc. with type 1/class I, for 3-phase power supply networks, with combined N and PE (L1, L2, L3, PEN). Suitable for equipotential bonding in systems without external lightning protection with and without overhead line supply. For mounting on 40 mm busbar systems.

## Your advantages

- Fast and error-free installation, thanks to direct mounting on 40 mm rail system
- Fits in every distribution board, thanks to flexible overall width of just 47 mm or 52 mm
- Mounts securely and without tools through a universal interlock on a 5 mm and 10 mm rail thickness
- No line follow current, thanks to an innovative spark gap



## Key Commercial Data

Packing unit	1 pc
GTIN	 4 055626 775296
GTIN	4055626775296
Weight per Piece (excluding packing)	644.050 g
Custom tariff number	85363090
Country of origin	Germany

## Technical data

### Dimensions

Height	223.2 mm
Width	47 mm
	52 mm (with spacer lid)
Depth	110.7 mm
Horizontal pitch	3 Div.

### Ambient conditions

Degree of protection	IP30 (Installed)
Ambient temperature (operation)	-40 °C ... 80 °C

# Combination type 1/2 protective device - FLT-SEC-ZP-3C-255/7,5 - 1074739

## Technical data

### Ambient conditions

Ambient temperature (storage/transport)	-40 °C ... 80 °C
Altitude	≤ 6000 m (amsl (above mean sea level))
Permissible humidity (operation)	5 % ... 95 %

### General

IEC test classification	I + II
	T1 + T2
EN type	T1 + T2
IEC power supply system	TN-C
Mode of protection	L-PEN
Mounting type	Busbar 40 mm
Color	light grey RAL 7035
Housing material	PA 6.6-FR
	PC
Degree of pollution	2
Flammability rating according to UL 94	V-0
Type	Busbar module, one-piece
Number of positions	3
Surge protection fault message	optical

### Protective circuit

Nominal voltage $U_N$	230/400 V AC (TN-C)
Nominal frequency $f_N$	50 Hz (60 Hz)
Maximum continuous voltage $U_C$	255 V AC
Nominal discharge current $I_n$ (8/20) $\mu$ s	20 kA
Impulse discharge current (10/350) $\mu$ s, charge	3.75 As
Impulse discharge current (10/350) $\mu$ s, specific energy	15 kJ/ $\Omega$
Impulse discharge current (10/350) $\mu$ s, peak value $I_{imp}$	7.5 kA
Follow current interrupt rating $I_{fi}$	25 kA
Short-circuit current rating $I_{SCCR}$	25 kA
Voltage protection level $U_p$	≤ 1.5 kV
TOV behavior at $U_T$	337 V AC (5 s / withstand mode)
	442 V AC (120 min / safe failure mode)
Response time $t_A$	≤ 100 ns
Max. backup fuse with branch wiring	250 A (gG)

### Connection data

Connection method	Screw connection
Screw thread	M5
Tightening torque	4.5 Nm

## Combination type 1/2 protective device - FLT-SEC-ZP-3C-255/7,5 - 1074739

### Technical data

#### Connection data

Stripping length	18 mm
Conductor cross section flexible	2.5 mm <sup>2</sup> ... 35 mm <sup>2</sup>
Conductor cross section solid	2.5 mm <sup>2</sup> ... 35 mm <sup>2</sup>

#### Standards and Regulations

Standards/regulations	IEC 61643-11 2011
	EN 61643-11 2012

#### Environmental Product Compliance

REACH SVHC	Lead 7439-92-1
China RoHS	Environmentally Friendly Use Period = 50 years
	For details about hazardous substances go to tab "Downloads", Category "Manufacturer's declaration"

### Drawings

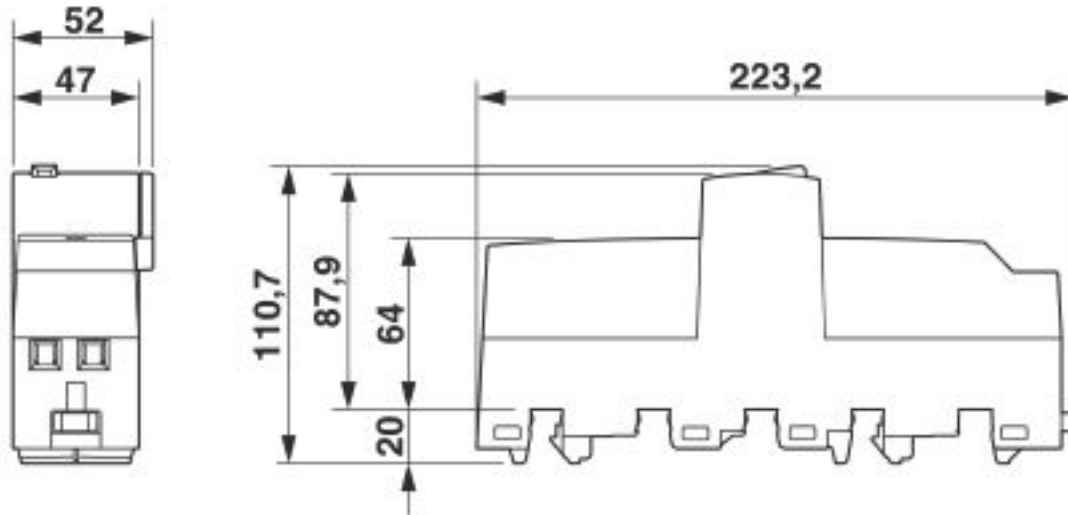
# Combination type 1/2 protective device - FLT-SEC-ZP-3C-255/7,5 - 1074739

Application drawing



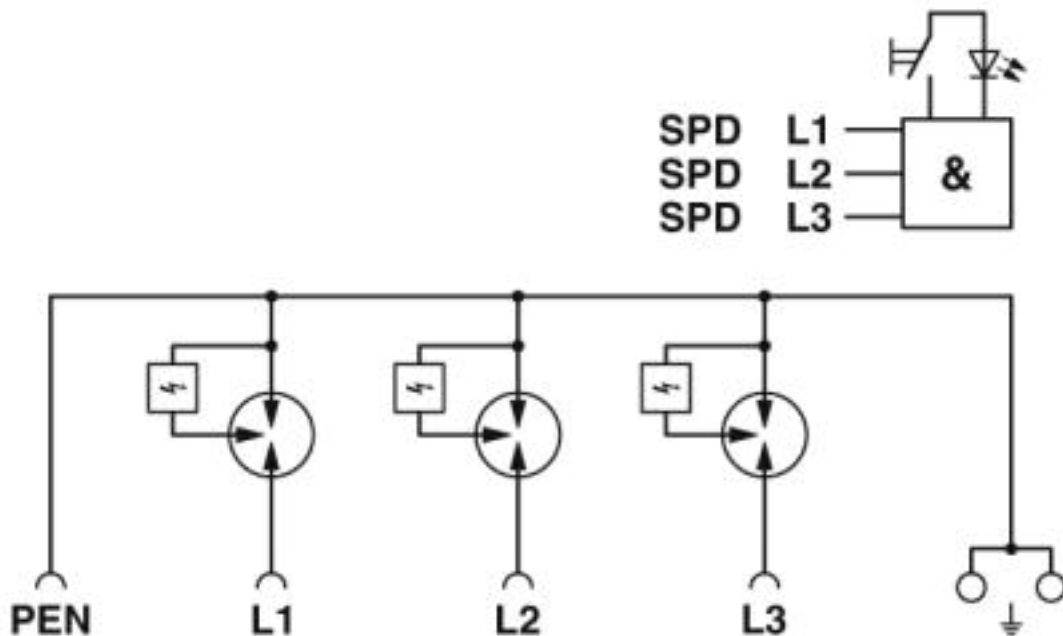
# Combination type 1/2 protective device - FLT-SEC-ZP-3C-255/7,5 - 1074739

Dimensional drawing



The figure shows the product with included spacer lid

Circuit diagram



## Classifications

eCl@ss

eCl@ss 4.0	27130800
------------	----------

# Combination type 1/2 protective device - FLT-SEC-ZP-3C-255/7,5 - 1074739

## Classifications

### eCl@ss

eCl@ss 4.1	27130800
eCl@ss 5.0	27130800
eCl@ss 5.1	27130800
eCl@ss 6.0	27130800
eCl@ss 7.0	27130802
eCl@ss 8.0	27130802
eCl@ss 9.0	27130802

### ETIM

ETIM 5.0	EC000381
ETIM 6.0	EC000381
ETIM 7.0	EC000381

## Approvals

### Approvals

#### Approvals


CCA / KEMA-KEUR / IECEE CB Scheme / VDE Zeichengenehmigung


#### Ex Approvals

### Approval details

CCA	NTR-NL 7693
-----	-------------

KEMA-KEUR		<a href="http://www.dekra-certification.com">http://www.dekra-certification.com</a>	71-104380
-----------	---	---	-----------

IECEE CB Scheme		<a href="http://www.iecee.org/">http://www.iecee.org/</a>	NL-52556
-----------------	---	---	----------

VDE Zeichengenehmigung		<a href="http://www2.vde.com/de/Institut/Online-Service/VDE-gepruefteProdukte/Seiten/Online-Suche.aspx">http://www2.vde.com/de/Institut/Online-Service/VDE-gepruefteProdukte/Seiten/Online-Suche.aspx</a>	40048381
------------------------	---	---	----------

## Combination type 1/2 protective device - FLT-SEC-ZP-3C-255/7,5 - 1074739

### Accessories

#### Accessories

#### Device marking

Label - EML (20XE)R - 0803452



Label, Roll, white, unlabeled, can be labeled with: THERMOMARK ROLLMASTER 300/600, THERMOMARK X1.2, THERMOMARK ROLL X1, THERMOMARK ROLL 2.0, THERMOMARK ROLL, mounting type: adhesive, lettering field size: continuous x 20 mm

---

Label - EML (20XE)R YE - 0803453



Label, Roll, yellow, unlabeled, can be labeled with: THERMOMARK ROLLMASTER 300/600, THERMOMARK X1.2, THERMOMARK ROLL X1, THERMOMARK ROLL 2.0, THERMOMARK ROLL, mounting type: adhesive, lettering field size: continuous x 20 mm

---

#### Marker pen

Marker pen - X-PEN 0,35 - 0811228



Marker pen without ink cartridge, for manual labeling of markers, labeling extremely wipe-proof, line thickness 0.35 mm

---