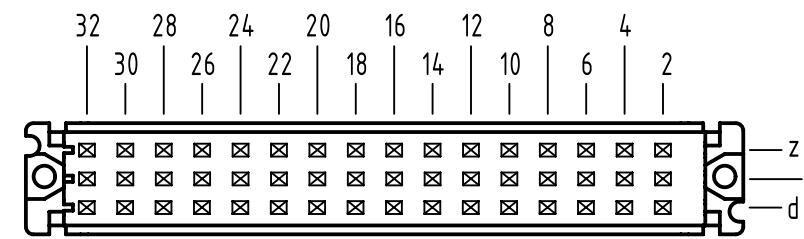


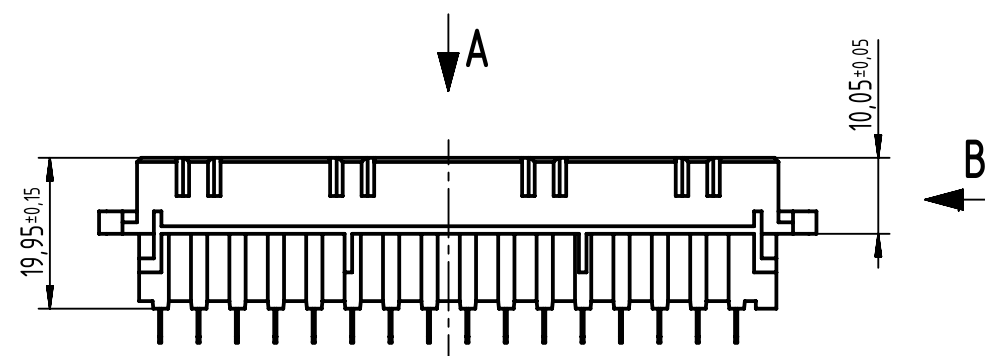
contact arrangement



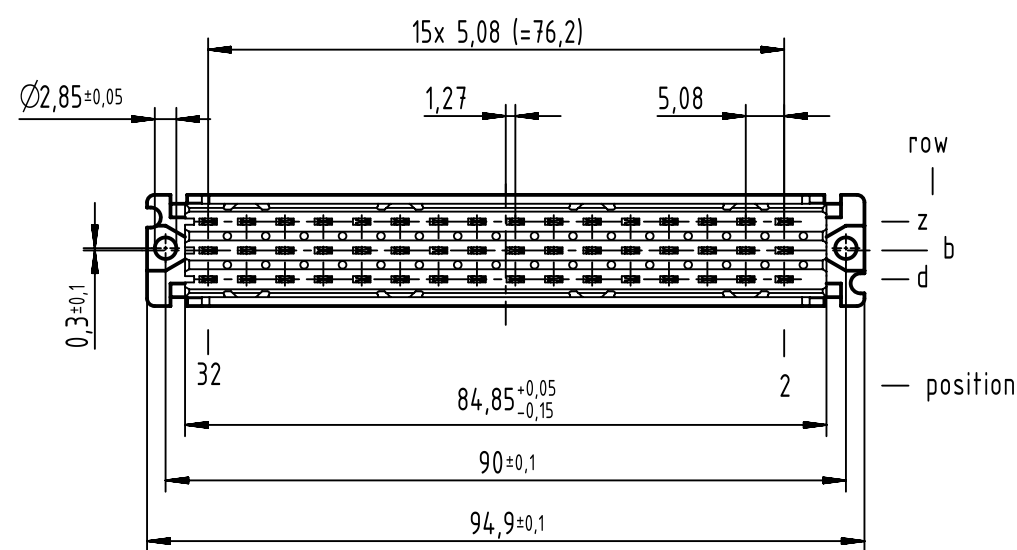
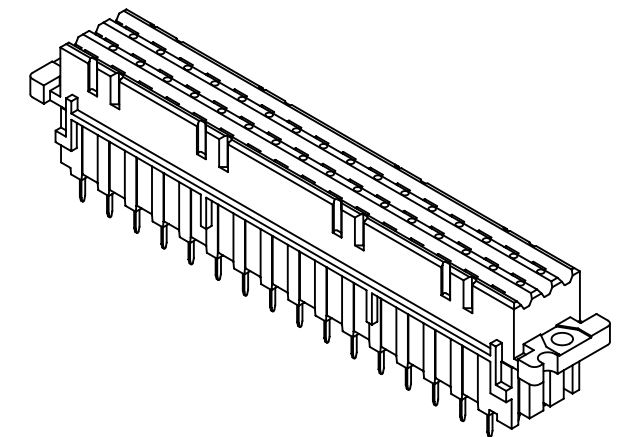
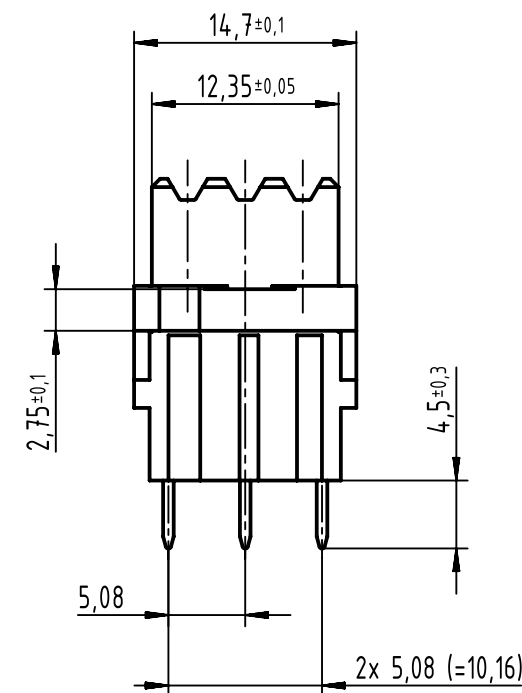
48 solder contacts

☒ = solder contact

◻ = position without contact



B (2:1)



1 further information see: DS 09062100001

09 06 248 7835	3
09 06 248 6835	2
09 06 248 2835	1
part no.	performance level 1

	All Dimensions in mm Original Size DIN A3	Scale 1:1	Free size tol. IEC 60603-2	Ref.
	All rights reserved Department EL PD	Created by LEHNERT	Inspected by DAHMS	Standardisation HOFFMANN
HARTING Electronics GmbH D-32339 Espelkamp	Title DIN Power type F female solder 4.5 48-pole			Date 2018-06-15
Type TB		Number 0906248X835		State Final Release
				Doc-Key / ECM-Nr. 100072612/UGD/011/C 500000136362
				Rev. C
				Page 1/1