



General characteristics

Description				Modular with transparent cover, 1 operating threshold
Residual operation characteristic				Type A
N° of operating threshold				1
Control circuit				
Toroidal transformer				External
Adjustments				
	Tripping set-point ($I\Delta n$)	(x1)	A	0.03...30
	Tripping delay time	(tx1)	s	0.2...10
Resetting				Configurable automatic or manual by button on front or digital input
Test Button				Yes
Shunt circuit control				No
Auxiliary supply				
Auxiliary rated supply voltage U_s				220...240VAC
Operational limits				220...240VAC
Output contacts				1
Rated frequency		Hz		50...60
Power consumption Max		VA		2
Relay outputs				
Relay state				Normally de-energised
Contact arrangement				1 changeover SPDT (trip)
Rated contact capacity IEC I_{th}				5A - 250VAC
Insulations				
Power frequency withstand voltage		kV		2.5kV for 60s
Indications				
Auxiliary voltage available (ON)				Green LED
Relay tripping (TRIP)				Red backlight
Trip prealarm (ALARM)				Yellow backlight
Connections				
Terminals type				Fixed
Tightening torque for terminals	max	Nm		0.5
	max	Ibin		4.5
Conductor section				

AWG/Kcmil	min	24	
	max	12	
<hr/>			
IEC	min	mm ²	0.2
	max	mm ²	2.5

Operations

Mechanical life	cycles	20000000
Electrical life	cycles	300000

Ambient conditions

Temperature

Operating temperature

min	°C	-10
max	°C	+60

Storage temperature

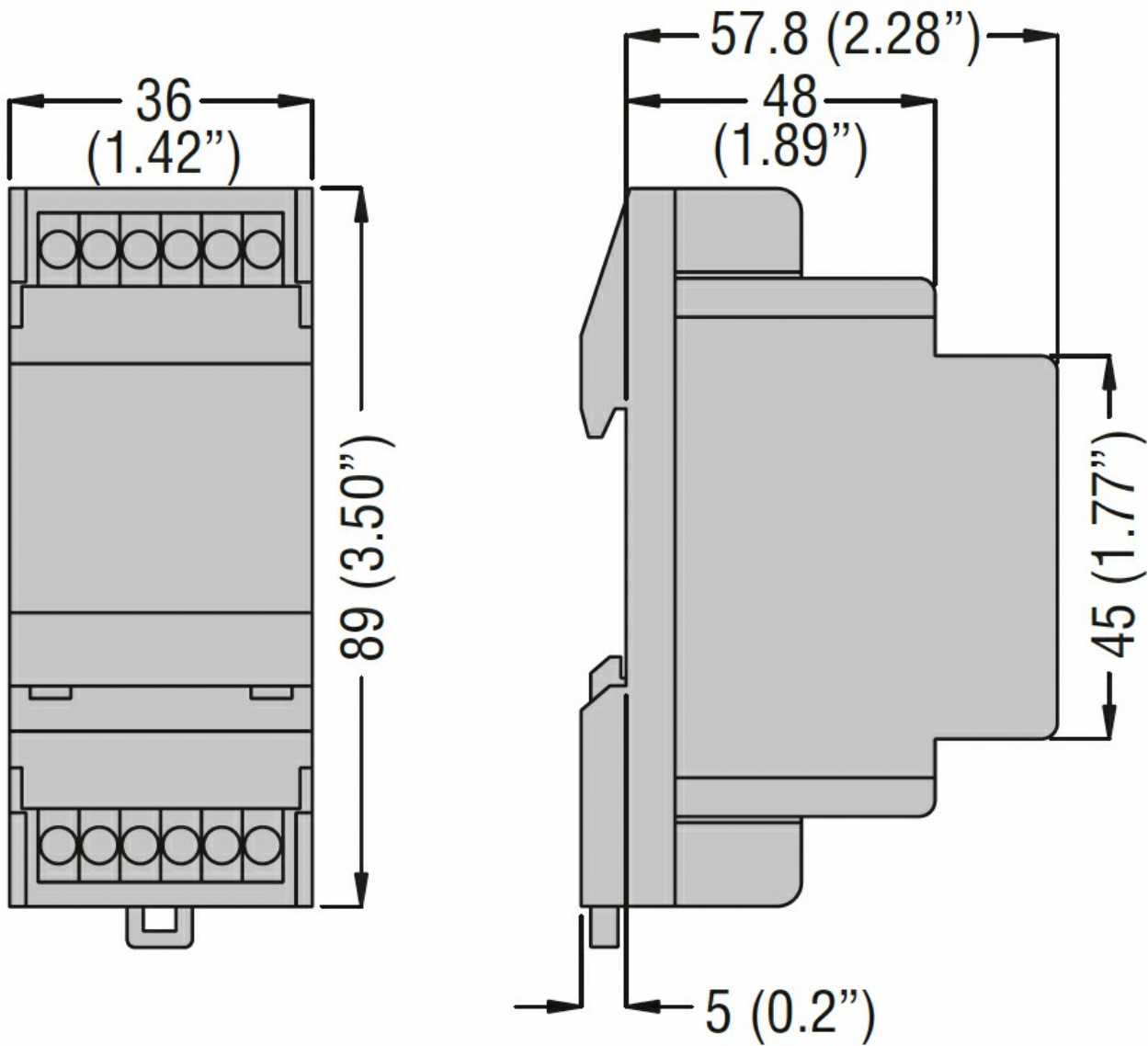
min	°C	-20
max	°C	+80

Relative humidity	%	≤90%
-------------------	---	------

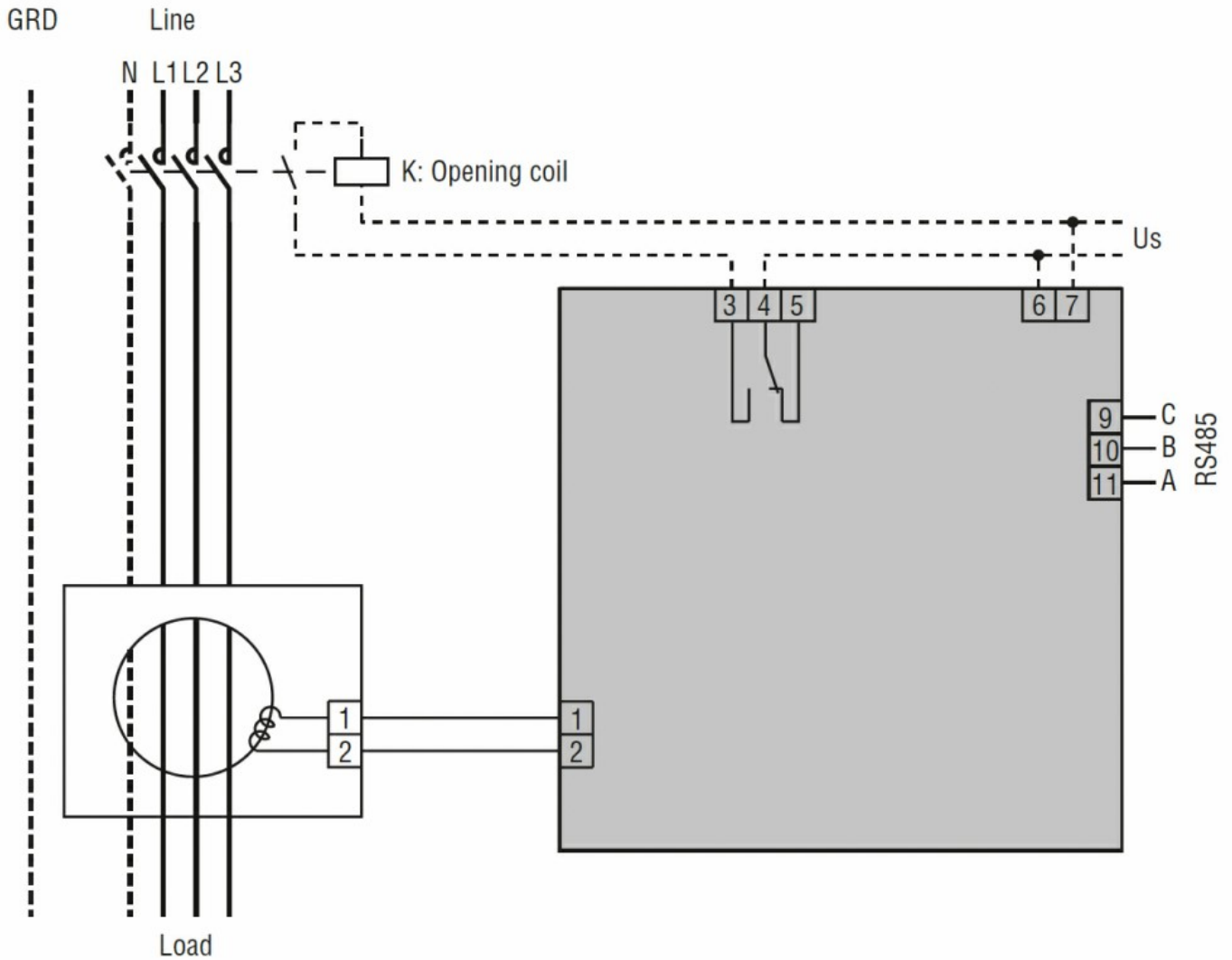
Housing

Material	Self-extinguishing polycarbonate
Mounting	35mm DIN rail
Degree of protection	IP20 terminals
Dimensions (W x H x D)	mm 36x89x57.8
Weight	g 300

Dimensions



Wiring diagrams



Certifications and compliance

Compliant with standards

- EN 60947-2 (Annex M)
- IEC/EN 61000-6-2 IEC/EN 61000- 6-3
- IEC/EN 61010
- IEC/TR 60755

ETIM classification

ETIM 8.0

EC001445 -
Residual current
monitoring relay