

Switch disconnecter 400 A, Size 3, 3-pole Side operating mechanism
right Basic unit without handle flat terminal



Model	
product brand name	SETRON
product designation	3KD switch disconnecter
design of the product	Switch
display version / for switch position indicator door-coupling rotary operating mechanism	ON-OFF
design of the operating mechanism	Without handle
type of the driving mechanism	Side operating mechanism
type of the driving mechanism / motor drive	No

General technical data	
number of poles	3
type of device	fixed mounting
size of switch disconnecter	3
mechanical service life (switching cycles) / typical	15 000
electrical endurance (switching cycles)	
• at AC-23 A / at 690 V	1 000
• at DC-23 A / at 440 V	1 000

<ul style="list-style-type: none"> • I2t value / with closed switch / at 1000 V / for combination switch +gG/aM SITOR fuse / maximum 	239 650 A ² ·s
<ul style="list-style-type: none"> • I2t value / of the fuse / at 500 V / maximum permissible 	2 150 005 A ² ·s
<ul style="list-style-type: none"> • I2t value / of the gG fuse / at 690 V / maximum permissible 	1 650 005 A ² ·s
<ul style="list-style-type: none"> • I2t value / of the gG/aM SITOR fuse / at 1000 V / maximum permissible 	260 000 A ² ·s
<ul style="list-style-type: none"> • I2t value / of the molded case circuit breaker / at 415 V / maximum permissible 	4 750 000 A ² ·s
position / of the switch operating mechanism	at the right end
overvoltage in percent / relative to the operating voltage / at AC / at 400, 500, 690 V / at 50/60 Hz	10 %
overvoltage category	IV
degree of pollution	3

Voltage

operating voltage / with current paths in series	
<ul style="list-style-type: none"> • with degree of pollution 2 / at DC / rated value 	440 V / 3
<ul style="list-style-type: none"> • with degree of pollution 3 / at DC / rated value 	440 V / 3
insulation voltage	
<ul style="list-style-type: none"> • rated value 	1 000 V
surge voltage resistance / rated value	12 kV

Supply voltage

operating current / at AC / rated value	400 A
operating voltage	
<ul style="list-style-type: none"> • at AC / at 50/60 Hz / rated value 	1 000 V

Protection class

protection class IP	IP00
protection class IP	
<ul style="list-style-type: none"> • with closed switch / with cover or cable lug cover 	IP20
<ul style="list-style-type: none"> • on the front 	IP00

Dissipation

power loss [W]	
<ul style="list-style-type: none"> • with conventional rated thermal current / per pole 	14 W
<ul style="list-style-type: none"> • with conventional rated thermal current / per device 	42 W
<ul style="list-style-type: none"> • for rated value of the current / at AC / in hot operating state / per pole 	14 W

Current

• operating current / at AC-23 A / at 690 V / rated value	400 A
• operating current / at AC-23 A / at 500 V / rated value	400 A
• operating current / at AC-23 A / at 400 V / rated value	400 A
• operating current / at AC-22 A / at 690 V / rated value	400 A
• operating current / at AC-22 A / at 500 V / rated value	400 A
• operating current / at AC-22 A / at 400 V / rated value	400 A
• operating current / at AC-20 A / at 1000 V / maximum	400 A
• operating current / at AC-21 A / at 400 V / rated value	400 A
• operating current / at AC-21 A / at 500 V / rated value	400 A
• operating current / at AC-21 A / at 690 V / rated value	400 A
• operating current / at AC-23 A / at 500 V / at 50/60 Hz / rated value / maximum	400 A
• operating current / at AC-22 A / at 500 V / at 50/60 Hz / rated value / maximum	400 A
• operating current / at AC-22 A / at 400 V / at 50/60 Hz / rated value / maximum	400 A
• operating current / at AC-22 A / at 690 V / at 50/60 Hz / rated value / maximum	400 A
• operating current / at AC-23 A / at 400 V / at 50/60 Hz / rated value / maximum	400 A
• operating current / at AC-23 A / at 690 V / at 50/60 Hz / rated value / maximum	400 A
• operating current / at DC-20 A / at 1000 V / maximum	400 A / 1
• operating current / at DC-23 A / at 440 V / rated value / note	400 A / 3
• operating current / at DC-23 A / at 220 V / rated value / note	400 A / 2
• operating current / at DC-22 A / at 440 V / rated value / note	400 A / 3
• operating current / at DC-22 A / at 220 V / rated value / note	400 A / 2
• operating current / at DC-21 A / at 440 V / rated value / note	400 A / 3

operating current / at DC-21 A / at 220 V / rated value	400 A / 2
continuous current / of upstream fuse / at 500 V and 690 V / rated value	500 A
continuous current / of upstream fuse / at 1000 V / rated value	500 A
continuous current / of upstream molded case circuit breaker / at 415 V / rated value	630 A
operating current / at DC / rated value	400 A
let-through current / of the fuse / at 500 V / maximum permissible	54 800 A
let-through current / of the gG fuse / at 690 V / maximum permissible	45 200 A
let-through current / of the gG/aM SITOR fuse / at 1000 V / maximum permissible	21 500 A
let-through current / of the molded case circuit breaker / at 415 V / maximum permissible	43 500 A

Main circuit

operating power	
<ul style="list-style-type: none"> at AC-23 A / at 400 V / at 50/60 Hz / rated value 	200 kW
<ul style="list-style-type: none"> at AC-23 A / at 500 V / rated value 	250 kW
<ul style="list-style-type: none"> at AC-23 A / at 690 V / at 50/60 Hz / rated value 	400 kW
operating current / rated value	400 A

Auxiliary circuit

number of connected NC contacts / for auxiliary contacts	0
number of connected NO contacts / for auxiliary contacts	0
number of connected CO contacts / for auxiliary contacts	0
number of CO contacts / for auxiliary contacts	0
number of NC contacts / for auxiliary contacts	6
number of NO contacts / for auxiliary contacts	6

Suitability

suitability for use	
<ul style="list-style-type: none"> main switch 	Yes
<ul style="list-style-type: none"> switch disconnecter 	Yes
<ul style="list-style-type: none"> EMERGENCY OFF switch 	No
<ul style="list-style-type: none"> safety switch 	Yes
<ul style="list-style-type: none"> maintenance/repair switch 	Yes

Product details

product feature / interlock	No
product component	

• trip indicator	No
• voltage trigger	No
• undervoltage release	No
• undervoltage release with leading contact	No
product extension / auxiliary switch	Yes
product extension / optional	
• motor drive	No
• voltage trigger	No

Short circuit

short-time withstand current (I _{cw}) / at AC 1000 V/DC 440 V / limited to 1 s / rated value	13 kA
short-circuit current making capacity (I _{cm})	
• for switch disconnecter / at 1000 V AC / without fuse link / rated value / minimum	36 kA
• for switch disconnecter / at DC 440 V / without fuse link / rated value / minimum	36 kA
• for switch disconnecter / without fuse link / rated value / minimum	36 kA
conditional short-circuit current / with line-side fuse protection	
• at 415 V / by molded case circuit breaker / rated value	65 kA
• at 500 V / by gG fuse / rated value	100 kA
• at 690 V / by gG fuse / rated value	100 kA

Connections

type of connectable conductor cross-sections / for aluminum conductor	
• stranded / with lug	1x (25 ... 240 mm ²), 2x (25 ... 120 mm ²)
type of connectable conductor cross-sections	
• for copper busbar	1 x (30 x 10 mm ²)
type of connectable conductor cross-sections / for copper conductor	
• stranded / with lug / acc. to DIN 46235	1x (16 ... 185 mm ²), 2x (16 ... 150 mm ²)
type of electrical connection	
• for main current circuit	flat connector

Mechanical Design

height	164 mm
width	198.5 mm
depth	95 mm
mounting type	screw fixing
mounting type	
• front mounting with 4-hole attachment	No

• front mounting with central attachment	No
• rail mounting	No
mounting position	any
net weight	2 949 g

Environmental conditions

ambient temperature / during operation	
• minimum	-25 °C
• maximum	70 °C
ambient temperature / during storage	
• minimum	-50 °C
• maximum	80 °C

Certificates

reference code	
• acc. to DIN EN 61346-2	Q
• acc. to DIN EN 81346-2	Q

General Product Approval	Declaration of Conformity	Shipping Approval	other
--------------------------	---------------------------	-------------------	-------



CCC



VDE

[Miscellaneous](#)



EG-Konf.



LRS

[Miscellaneous](#)

Further information

Information- and Downloadcenter (Catalogs, Brochures,...)

<http://www.siemens.com/lowvoltage/catalogs>

Industry Mall (Online ordering system)

<https://mall.industry.siemens.com/mall/en/en/Catalog/product?mlfb=3KD4234-0PE40-0>

Service&Support (Manuals, Certificates, Characteristics, FAQs,...)

<https://support.industry.siemens.com/cs/ww/en/ps/3KD4234-0PE40-0>

Image database (product images, 2D dimension drawings, 3D models, device circuit diagrams, ...)

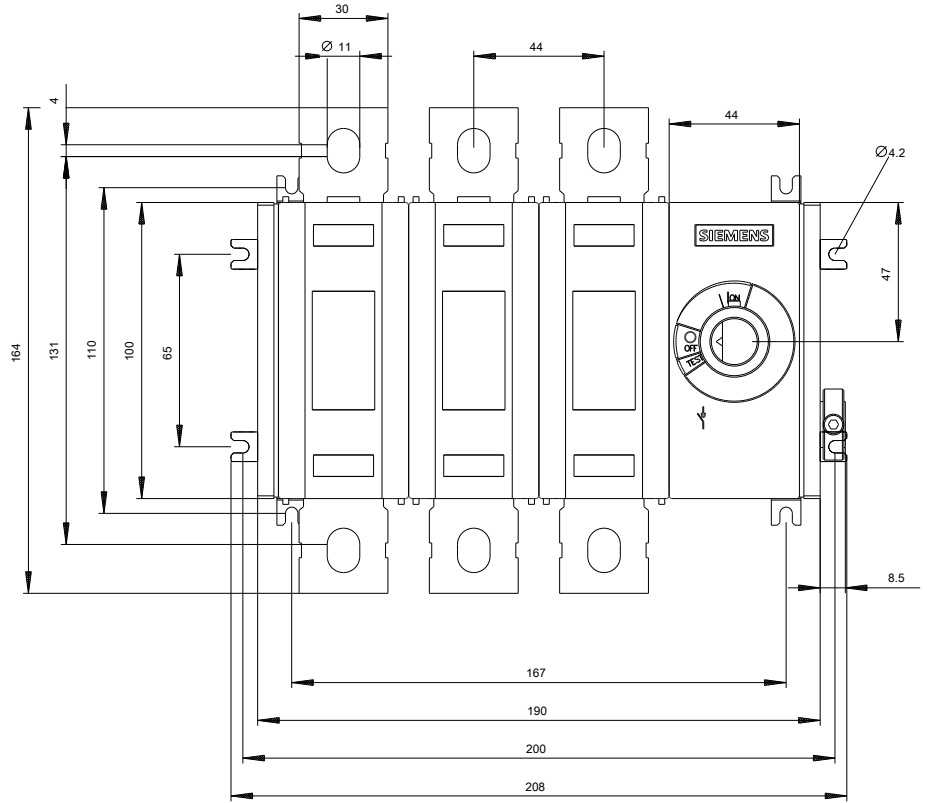
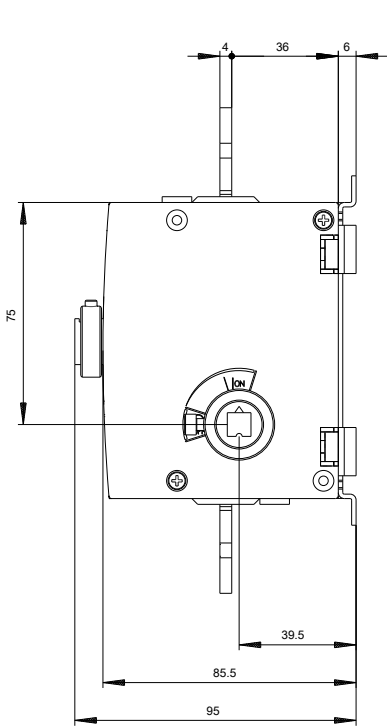
http://www.automation.siemens.com/bilddb/cax_en.aspx?mlfb=3KD4234-0PE40-0

CAX-Online-Generator

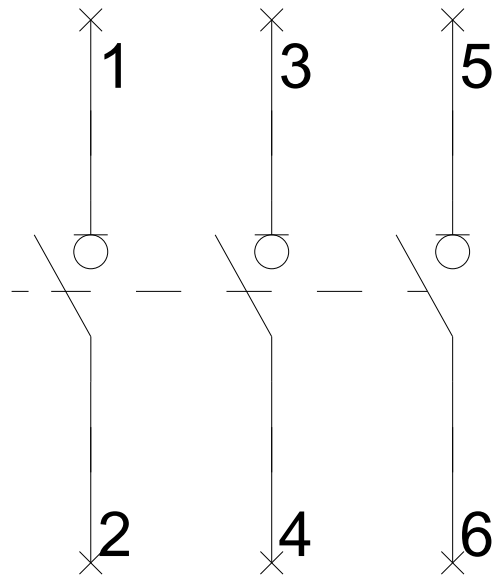
<http://www.siemens.com/cax>

Tender specifications

<http://www.siemens.com/specifications>



-Q



-CR

