



Brand of NTN Group



Technical data

UCFL206CC

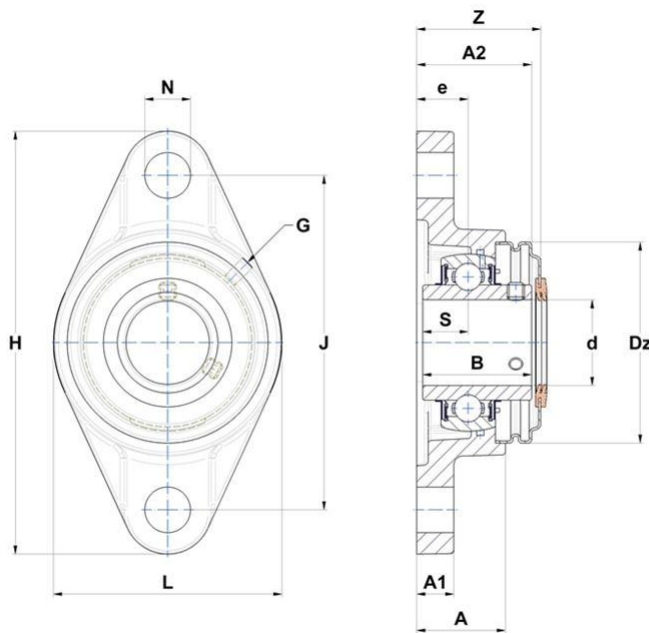
Bearing units

Grey cast housing, radial insert ball bearing with socket set screws, seal with slinger. In the figure, flanged bearing units are presented with open cover. The product you have chosen is equipped with closed cover.

KIT CONTENT

SCC206, UC206G2, FL206N

VISUAL (S)



PRODUCT DEFINITION

Brand	SNR
A - Housing height	31 mm
A1 - Housing foot height / flange height	13 mm
A2 - Total height from mounting surface	40,2 mm
B - Width of Inner Ring	38,1 mm



NTN Europe

1 rue des Usines · BP 2017 · 74010 Annecy Cedex · France · Tel. +33 (0)4 50 65 30 00
S.A. au capital de 322 639 919 € · RCS ANNECY B 325 821 072 · Id. Fiscale : FR 48 325 821 072
SIRET 325 821 072 00015 · Code APE 2815 Z · Code NACE 28.15

PRODUCT DEFINITION

d - Shaft diameter	30 mm
Dz - Outer diameter of cover	70 mm
e - Distance mounting surface to bearing center	18 mm
G - Grease fitting	M6x1
H - Housing length, width or diameter	148 mm
J - Mounting holes distance	117 mm
L - Housing width / diameter	80 mm
N - Mounting hole dimension	16 mm
S - Distance front side/bearing centre	15,9 mm
Z - Width over covers	44,4 mm

PRODUCT PERFORMANCE

C - Dynamic load rating	19500000 mN
C0 - Static load rating	11200000 mN
Operating temperature min.	253,15 °K
Operating temperature max.	373,15 °K

OTHER FEATURES

Mass	0,93 kg
Recommended tightening torque for set screw	5.5 N-m

