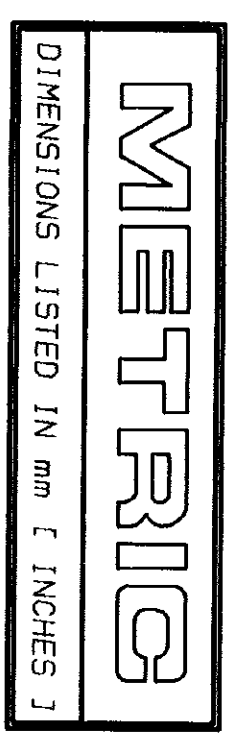
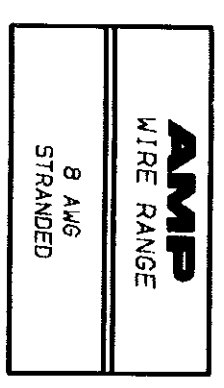


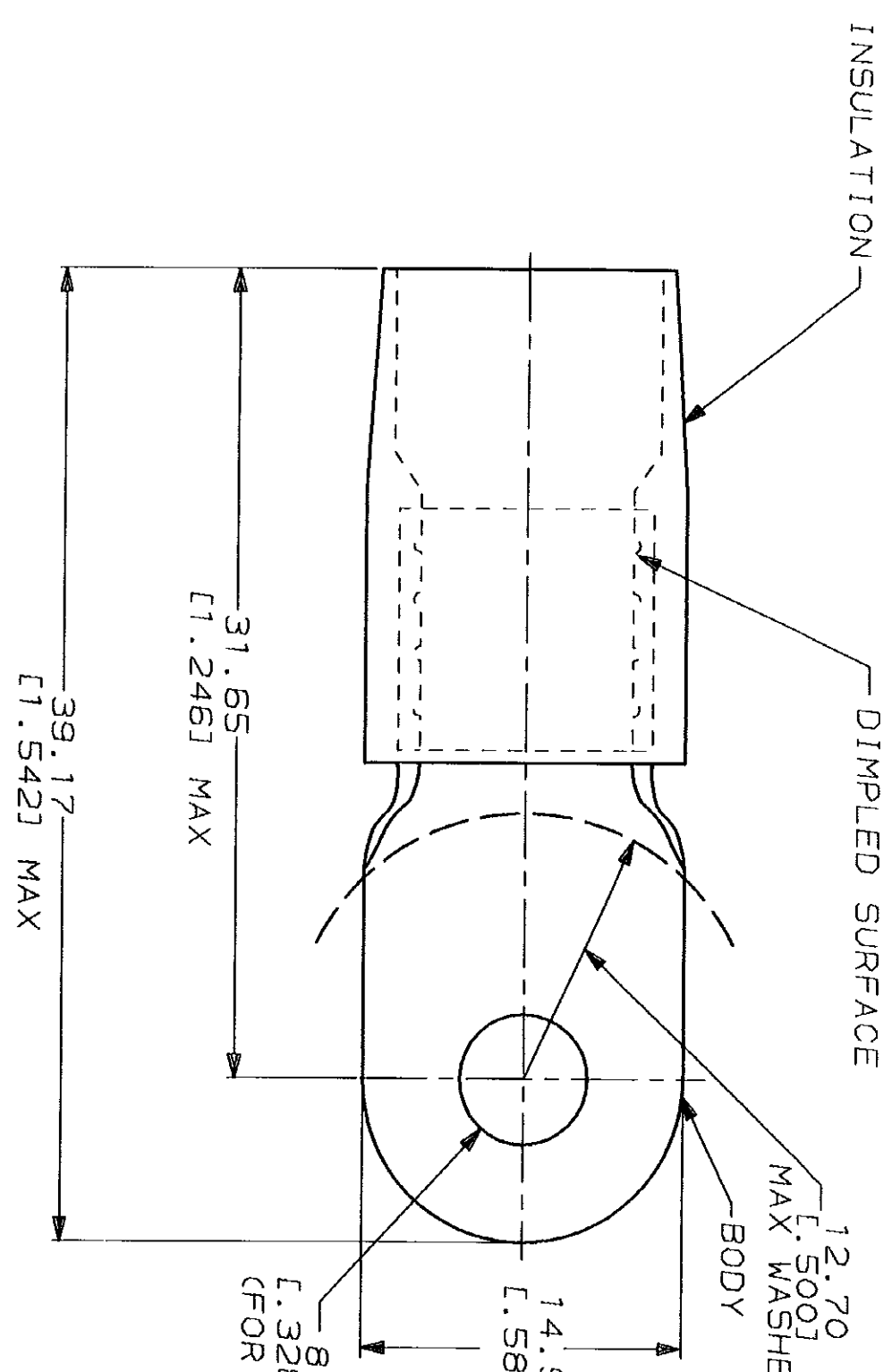
THIS DRAWING IS UNPUBLISHED. RELEASED FOR PUBLICATION

© COPYRIGHT 19 BY AMP INCORPORATED. ALL INTERNATIONAL RIGHTS RESERVED.

LOC	DIST	P	F	ZONE	LTR	REVISIONS	DESCRIPTION	DATE	APPD
G	14				D	EC 0720-0279-93		6-18-93	556 BB



1. TONGUE MATERIAL THK 1.02±0.08 [0.040±.003] FOR 6.50 [0.256] MAX WIRE INS DIA



**AMP INCORPORATED
CUSTOMER SERVICE SYSTEMS**

FOR ADDITIONAL PRODUCT INFORMATION OR COPIES OF DRAWINGS AND TECHNICAL DOCUMENTS	PRODUCT INFORMATION CENTER 1-800-522-6752	MAX RECOMMENDED OPERATING TEMPERATURE: 105°C	DO NOT SCALE PRINT. UNLESS SPECIFIED OTHERWISE: DIMENSIONS IN MILLIMETERS TOLERANCES ON: 1. PLC DEC # 0.20 [0.008] 2. PLC DEC # 0.10 [0.004] 3. PLC DEC # 0.05 [0.002] ANGLES
FOR APPLICATION	TOOLING ASSISTANCE CENTER 1-800-722-1111	VOLTAGE RATING: -	MATERIAL: COPPER PER ASTM B-152 NYLON (MIL-M-20693) TYPE 1 COLOR: RED
TOOLING INFORMATION	1-800-526-5142	CIRCULAR MIL AREA: 6.64-10.5mm² [13,100-20,800] STRANDED	FINISH: TIN PLATE PER MIL-T-10727

FOR ORDER ENTRY

MS25036-117 CLASS 2	MILITARY P/N AND CLASS	QTY	PACKAGE TYPE	LOOSE PC	PART NO	324044
------------------------	------------------------	-----	--------------	----------	---------	--------

DR 6-18-93 S.S. GULDEN	CHK 6-18-93 R. HERREY	APPD 6-18-93 B. BARE	APPD 6-18-93 M. ELLIS	NAME	AMP	AMP Incorporated Harrisburg, PA 17105-3608
TERMINAL, RING TONGUE, TERMINYL WIRE SIZE: 8 AWG				SCALE	B	00779
APPLICATION SPEC				SCALE	NTS	324044