

11.90	13.54	504622-7010	o	---	70
10.85	12.49	504622-6410	o	---	64
10.15	11.79	504622-6010	---	---	60
9.80	11.44	504622-5810	---	---	58
9.10	10.74	504622-5410	---	---	54
8.40	10.04	504622-5010	o	---	50
8.05	9.69	504622-4810	---	---	48
7.00	8.64	504622-4210	---	---	42
6.65	8.29	504622-4010	o	---	40
6.30	7.94	504622-3810	---	---	38
5.60	7.24	504622-3410	o	---	34
4.90	6.54	504622-3010	o	---	30
3.85	5.49	504622-2410	o	---	24
3.15	4.79	504622-2010	o	---	20
2.80	4.44	504622-1810	---	---	18
2.45	4.09	504622-1610	---	---	16
1.75	3.39	504622-1210	---	---	12
1.40	3.04	504622-1010	o	---	10
0.70	2.34	504622-0610	---	---	6

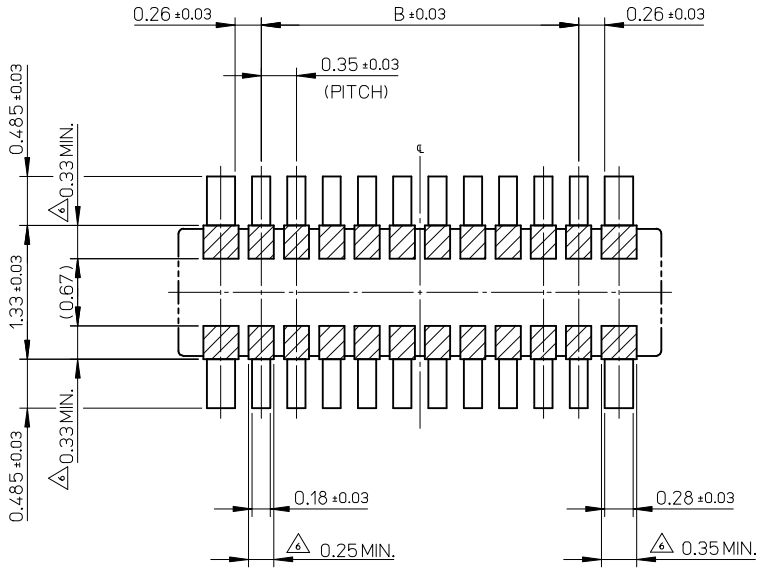
B	A	EMBOSSED TAPE PACKAGE	HIGH VOL. TOOL	LOW VOL. TOOL	CIRCUIT
		ORDER NO.	SAMPLE PREPARATION o : TOOLED Δ : WORK IN PROCESS --- : TOOLING TO BE CONFIRMED		

CONNECTOR SERIES No. : 504622-\*\*09

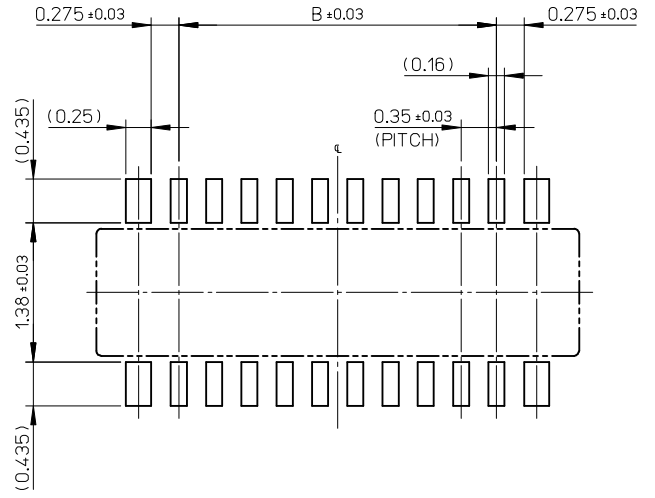
NOTES

- MATERIAL  
WAFER : LIQUID CRYSTAL POLYMER UL94V-0(COLOR : BLACK)  
PIN : COPPER ALLOY  
FITTING NAIL : COPPER ALLOY
- PLATING  
TERMINAL  
GOLD  
UNDER PLATING : NICKEL  
\*DIVIDE INTO PARTS THE GOLD PLATING OF THE CONTACT AND THE TAIL PART BY THE NICKEL PLATING.  
FITTING NAIL  
GOLD  
UNDER PLATING : NICKEL
- APPLY FOR (CIRCUIT/2)-EVEN.
- MATE WITH : 504618-\*\*\*10
- TAIL AND FITTING NAIL COPLANARITY TO BE 0.08MAXIMUM.
- PROHIBITED AREA OF PATTERN WIRING AND SOLDER.  
(FOR EACH AREA, THE WIRING THAT TOUCHES ON THE SOLDER CAN BE ATTACHED, THEN COVERED WITH A FILM TO KEEP SOLDER OUT.)
- ELV and RoHS COMPLIANT.
- ELECTRIC SPEC OF FITTING NAIL IS NOT GUARANTEED WHEN MATED.

REVISED	EC NO. : J2015-0816	GENERAL TOLERANCES (UNLESS SPECIFIED)	DIMENSION STYLE	SCALE	DESIGN UNITS	TITLE 0.35 BB CONN. H=0.6 SSB6 PLUG ASSY
	DRWN:MYOSHIDA 2014/12/16	10 UNDER ±0.2	MM ONLY	20:1	METRIC	
	CHKD:RTAKEUCHI 2014/12/16	10 OVER 30 UNDER ±0.25	DRAWN BY DATE	THIRD ANGLE PROJECTION		
	APPR:KMORIKAWA 2014/12/17	30 OVER ±0.3	HON001 2014/02/24	DOCUMENT NO.		
REV	DESCRIPTION	ANGULAR ±1 °	CHECKED BY DATE	MATERIAL NO.		SHEET NO.
		DRAFT WHERE APPLICABLE MUST REMAIN WITHIN DIMENSIONS	RTAKEUCHI 2014/02/24	SEE CHART		1 OF 2
			APPROVED BY DATE	SD-504622-001		
			KMORIKAWA 2014/04/17	THIS DRAWING CONTAINS INFORMATION THAT IS PROPRIETARY TO MOLEX INCORPORATED AND SHOULD NOT BE USED WITHOUT WRITTEN PERMISSION		

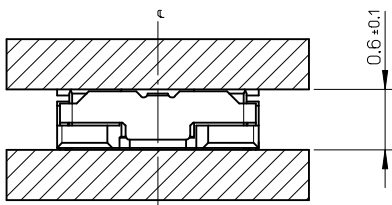


RECOMMENDED P.W.BOARD PATTERN LAYOUT(REFERENCE)



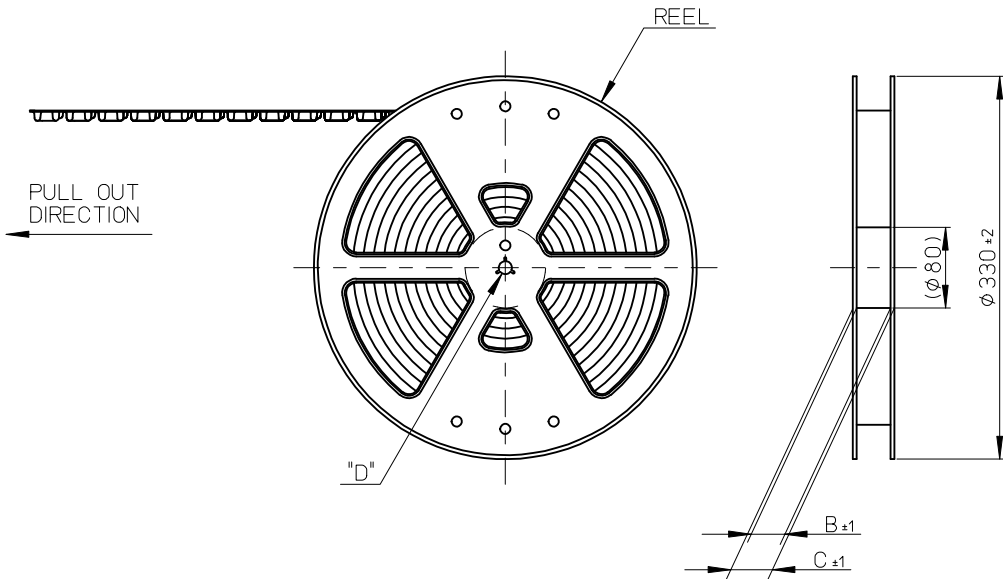
RECOMMENDED METAL MASK LAYOUT(REFERENCE)

RECOMMENDED THICKNESS OF METAL MASK : t=0.08mm  
 RECOMMENDED OPEN APERTURE RATIO OF METAL MASK : 80%



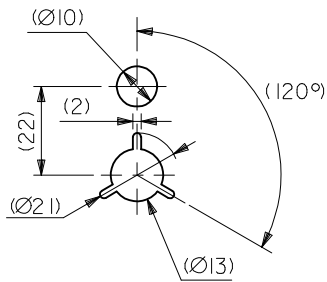
MATED CONDITION

REVISED	EC NO: J2015-0816	GENERAL TOLERANCES (UNLESS SPECIFIED)		DIMENSION STYLE		SCALE	DESIGN UNITS	THIRD ANGLE PROJECTION	
	DRWN:MYOSHIDA 2014/12/16	10 UNDER	± 0.2	MM ONLY		20:1	METRIC	0.35 BB CONN. H=0.6 SSB6 PLUG ASSY	
	CHKD:RTAKEUCHI 2014/12/16	10 OVER 30 UNDER	± 0.25	DRAWN BY	DATE	TITLE		molex	
	APPR:KMORIKAWA 2014/12/17	30 OVER	± 0.3	HON001	2014/02/24	SD-504622-001			
DESCRIPTION	ANGULAR ± 1 °	DRAFT WHERE APPLICABLE MUST REMAIN WITHIN DIMENSIONS		CHECKED BY	DATE	DOCUMENT NO.		SHEET NO.	
REV				APPROVED BY	DATE	SEE SHEET 1		2 OF 2	
				KMORIKAWA	2014/04/17	THIS DRAWING CONTAINS INFORMATION THAT IS PROPRIETARY TO MOLEX INCORPORATED AND SHOULD NOT BE USED WITHOUT WRITTEN PERMISSION			
				MATERIAL NO.					
				SIZE					
				A3					



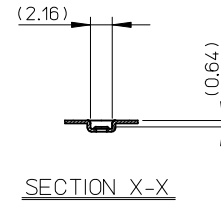
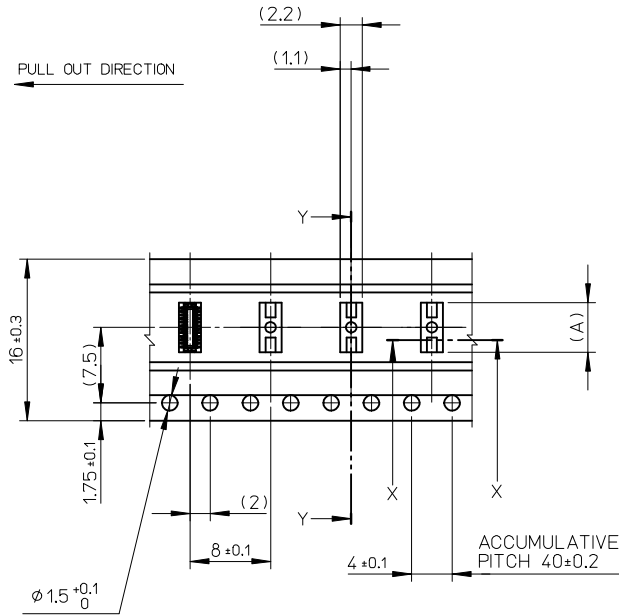
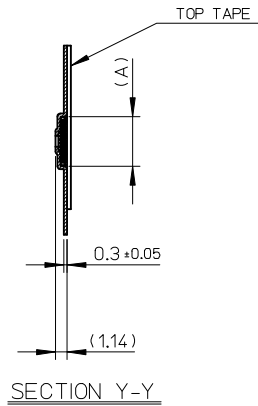
NOTES

1. RE DETAILED DIMENSION, SEE PRODUCT DRAWING.
2. NUMBER OF CONNECTORS : 3000PCS/REEL
3. LEAD TAPE LENGTH
4. TOP TAPE PEEL FORCE IS DEFINED BY IEC60286-3.
5. MATERIAL  
 CARRIER TAPE : POLYSTYRENE  
 TOP TAPE : PET , OTHER  
 REEL : POLYSTYRENE (PS) <RECYCLE MATERIAL CONTAINED>
6. ELV AND RoHS COMPLIANT



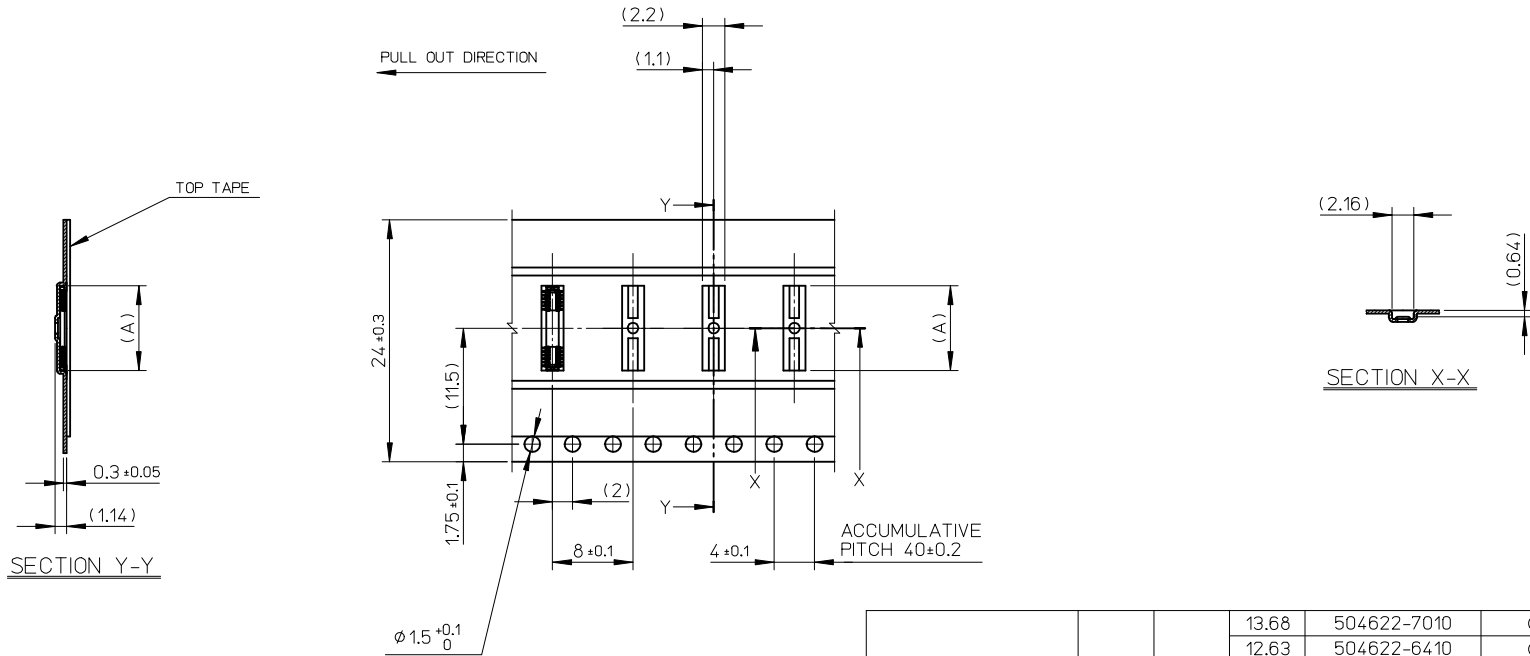
DETAIL "D"

REVISED EC NO: J2015-0816 DRWN:MYOSHIDA 2014/12/16 CHK'D:RTAKEUCHI 2014/12/16 APPR:KMORIKAWA 2014/12/17	GENERAL TOLERANCES (UNLESS SPECIFIED)		DIMENSION STYLE <b>MM ONLY</b>		SCALE <b>1:5</b>	MODEL NO. 504622-**10 DESIGN UNITS <b>METRIC</b>	THIRD ANGLE PROJECTION	
	10 UNDER ± 0.2	10 OVER 30 UNDER ± 0.25	DRAWN BY HON001	DATE 2014/02/24	TITLE <b>0.35 BB CONN. H=0.6                  SSB6 PLUG ASSY                  EMBSTP PKG</b>			
	30 OVER ± 0.3	ANGULAR ± 1 °	CHECKED BY RTAKEUCHI	DATE 2014/02/24	APPROVED BY KMORIKAWA 2014/04/17			
	DRAFT WHERE APPLICABLE MUST REMAIN WITHIN DIMENSIONS		MATERIAL NO. <b>SEE CHART</b>		DOCUMENT NO. SD-504622-002	SHEET NO. 1 OF 3		
THIS DRAWING CONTAINS INFORMATION THAT IS PROPRIETARY TO MOLEX INCORPORATED AND SHOULD NOT BE USED WITHOUT WRITTEN PERMISSION								



16	21.4	17.4	6.68	504622-3010	○	---	30	
			5.63	504622-2410	○	---	24	
			4.93	504622-2010	○	---	20	
			4.58	504622-1810	---	---	18	
			4.23	504622-1610	---	---	16	
			3.53	504622-1210	---	---	12	
			3.18	504622-1010	○	---	10	
2.48	504622-0610	---	---	6				
キャリアテープ幅 CARRIER TAPE WIDTH		C	B	(A)	EMBOSSED TAPE PACKAGE	HIGH VOL. TOOL	LOW VOL. TOOL	CIRCUIT
ORDER NO.		SAMPLE PREPARATION ○ : TOOLED △ : WORK IN PROCESS --- : TOOLING TO BE CONFIRMED						

REVISED EC NO: J2015-0816 DRWN: MYOSHIDA 2014/12/16 CHKD: RTAKEUCHI 2014/12/16 APPR: KMORIKAWA 2014/12/17	DESCRIPTION REV	GENERAL TOLERANCES (UNLESS SPECIFIED)		DIMENSION STYLE		SCALE	DESIGN UNITS	THIRD ANGLE PROJECTION		
				MM ONLY		2:1	METRIC			
		10 UNDER	± 0.2	DRAWN BY	DATE	TITLE				
		10 OVER 30 UNDER	± 0.25	HON001	2014/02/24	0.35 BB CONN. H=0.6 SSB6 PLUG ASSY EMBSTP PKG				
30 OVER	± 0.3	CHECKED BY	DATE	<b>molex</b> DOCUMENT NO. SD-504622-002 SHEET NO. 2 OF 3						
ANGULAR ± 1 °		RTAKEUCHI	2014/02/24							
DRAFT WHERE APPLICABLE MUST REMAIN WITHIN DIMENSIONS		APPROVED BY	DATE	THIS DRAWING CONTAINS INFORMATION THAT IS PROPRIETARY TO MOLEX INCORPORATED AND SHOULD NOT BE USED WITHOUT WRITTEN PERMISSION						
		KMORIKAWA	2014/04/17							
		MATERIAL NO.		SEE CHART						
		SIZE A3								



24	29.4	25.4	13.68	504622-7010	o	---	70		
			12.63	504622-6410	o	---	64		
			11.93	504622-6010	---	---	60		
			11.58	504622-5810	---	---	58		
			10.88	504622-5410	---	---	54		
			10.18	504622-5010	o	---	50		
			9.83	504622-4810	---	---	48		
			8.78	504622-4210	---	---	42		
			8.43	504622-4010	o	---	40		
			8.08	504622-3810	---	---	38		
7.38	504622-3410	o	---	34					
キャリアテープ幅 CARRIER TAPE WIDTH			C	B	(A)	EMBOSSED TAPE PACKAGE	HIGH VOL. TOOL	LOW VOL. TOOL	CIRCUIT
ORDER NO.			SAMPLE PREPARATION o : TOOLED Δ : WORK IN PROCESS --- : TOOLING TO BE CONFIRMED						

<b>REVISED</b> EC NO: J2015-0816 DRWN: MYOSHIDA 2014/12/16 CHKD: RTAKEUCHI 2014/12/16 APPR: KMORIKAWA 2014/12/17	GENERAL TOLERANCES (UNLESS SPECIFIED)		DIMENSION STYLE <b>MM ONLY</b>		SCALE <b>2:1</b>	DESIGN UNITS <b>METRIC</b>	THIRD ANGLE PROJECTION		
	10 UNDER ± 0.2 10 OVER 30 UNDER ± 0.25 30 OVER ± 0.3	ANGULAR ± 1° DRAFT WHERE APPLICABLE MUST REMAIN WITHIN DIMENSIONS	DRAWN BY HON001	DATE 2014/02/24	TITLE <b>0.35 BB CONN. H=0.6                  SSB6 PLUG ASSY                  EMBSTP PKG</b>				
			CHECKED BY RTAKEUCHI	DATE 2014/02/24	<b>molex</b>				
			APPROVED BY KMORIKAWA	DATE 2014/04/17					
		MATERIAL NO. <b>SEE CHART</b>			THIS DRAWING CONTAINS INFORMATION THAT IS PROPRIETARY TO MOLEX INCORPORATED AND SHOULD NOT BE USED WITHOUT WRITTEN PERMISSION				