



ComEx control stations

Features

- 3 standard enclosures
- Easy to install
- Extremely flexible
- Customer-tailored solutions

Description

ComEx is a flexible system offering standard as well as customer-specific local control and indicating units.

You have the choice between three standard enclosures which can accommodate up to three different control and indicating devices. Combinations of up to three ComEx enclosures are possible.

Either stuffing box glands in M20 x 1.5 and M25 x 1.5 made of plastic or cable glands made of metal are available for the electrical connection.

The plastic glands require no lock nuts.

Metal glands are screwed into a metal earth plate sheet inside of the enclosure. Maximum amount of cable glands: two off M20.

To ensure easier operation on site, each enclosure can be equipped with an individual info-label.

For offshore applications special oil-resistant attachments are available.

Explosion protection

Ex protection type

- ⊕ II 2G Ex ed IIC T6
- ⊕ II 2D Ex tD A21 IP 67 T 80 °C

Class I, Zone 1 AEx ed IIC, Ex ed IIC
Class I, Division 2 Groups A, B, C, D
Ex ed IIC, T6

Certification

PTB 00 ATEX 1068
UL E184198
IECEx PTB 08.0022
INMETRO 2004 EC 02 CP003

Permissible ambient temperature

-55 °C to +60 °C
(-20 °C to +60 °C for Zone 21 and 22)

Technical data

Connection

Terminals 2.5 mm²

PE conductor terminals

4 x 2.5 mm²

Rated insulation voltage

max. AC 690 V

Nominal current

max. 16 A

Cable entry

M 20 x 1.5 for cable Ø 6 to 13 mm
M 25 x 1.5 for cable Ø 7 to 12 mm
M 25 x 1.5 for cable Ø 13 to 21 mm

Enclosure

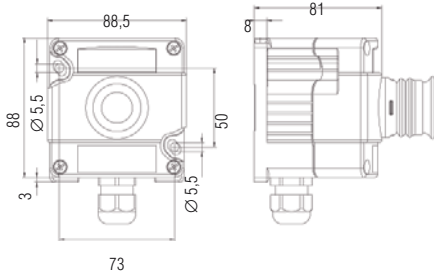
Thermoplastic

Protection class

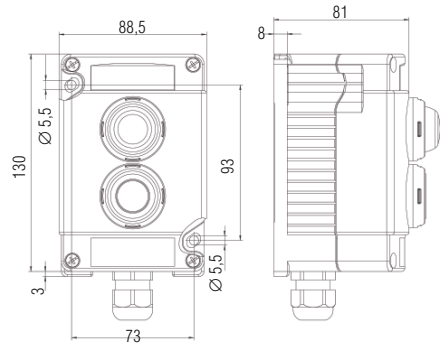
IP 66/IP 67



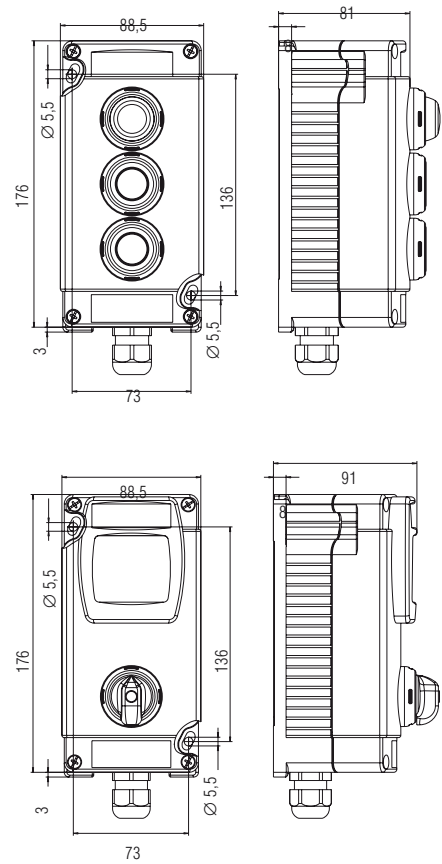
Control unit, single Type 07-3511-....



Control station, double Type 07-3512-....



Control station, triple Type 07-3513-....





Selection chart



Wiring diagram	Description	Weight	➔ Order no.
	1 pushbutton 1 NO + 1 NC incl. labels red, green, yellow, white	0.33 kg	07-3511-10P74
	1 NOT/AUS Emergency Stop 1 NO + 1 NC marked NOT/AUS and Emergency-Stop	0.36 kg	07-3511-10N84
	1 Mushroom Keyswitch 1 NO + 1 NC with key to reset	0.40 kg	07-3511-10K34
	1 Selector switch 1 NO + 1 NC, 2 position with 2 stops 0 and I, latching	0.35 kg	07-3511-10S94
	1 Selector switch 1 NO + 1 NC, 3 position with 3 stops I - 0 - II, latching	0.35 kg	07-3511-10S04
	1 Selector switch 1 NO + 1 NC, 3 position with 3 stops I - 0 - II, momentary-contact	0.35 kg	07-3511-10S14
	1 Lamp red green yellow white	0.35 kg	07-3511-10LRR 07-3511-10LGG 07-3511-10LYY 07-3511-10LWW
	1 Mushroom Pushbutton, black 1 NO + 1 NC	0.35 kg	07-3511-10P84
	1 Keyswitch 1 NO + 1 NC lockable in both positions	0.40 kg	07-3511-10K04
	1 Keyswitch 1 NO + 1 NC lockable in the pushed-in-position	0.40 kg	07-3511-10K14
	1 Keyswitch 1 NO + 1 NC lockable in the initial position	0.40 kg	07-3511-10K24



Selection chart

Wiring diagram	Description	Weight	➔ Order no.
	<p>2 pushbuttons 1 NO + 1 NC each including key labels</p>	0.50 kg	07-3512-10P74P74
	<p>1 indicator lamp, 1 pushbutton with indicated lamp red green yellow white blue 1 NO + 1 NC</p>	0.52 kg	<p>07-3512-10LRRP74 07-3512-10LGGP74 07-3512-10LYYP74 07-3512-10LWWP74 07-3512-10LBPP74</p>
	<p>1 indicator lamp, 2 pushbuttons with indicated lamp red green yellow white 1 NO + 1 NC each</p>	0.70 kg	<p>07-3513-10LRRP74P74 07-3513-10LGGP74P74 07-3513-10LYYP74P74 07-3513-10LWWP74P74</p>
	<p>3 pushbuttons 1 NO + 1 NC each including key labels</p>	0.68 kg	07-3513-10P74P74P74
	<p>2 pushbuttons 1 emergency stop button 1 NO + 1 NC each</p>	0.70 kg	07-3513-10P74P74N84

