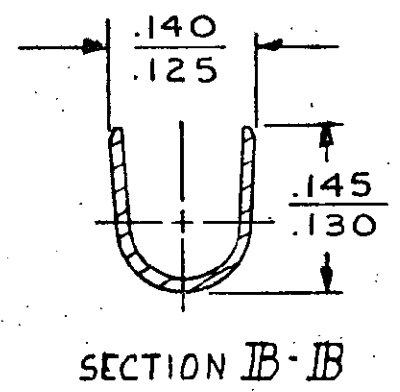
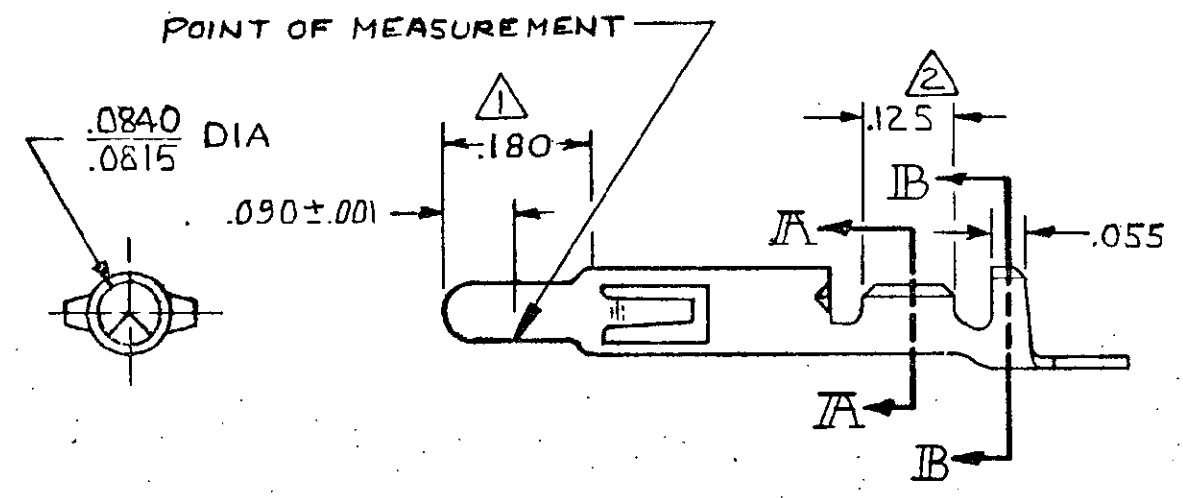
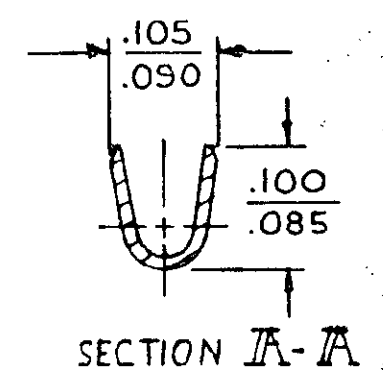
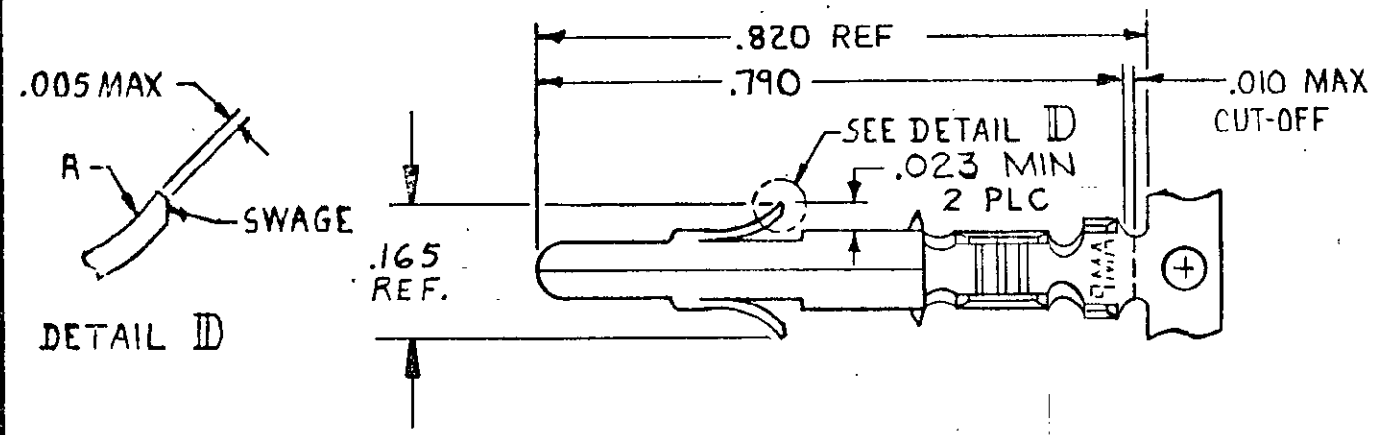


© COPYRIGHT

REVISIONS						
P	F	ZONE	LTR	DESCRIPTION	DATE	APPROVED
✓	✓		Y1	REVISED PER ECO-11-005294	05APR11	HMR



- ① PLATED WITH .000030 GOLD, OVER .000050 NICKEL UNDERPLATE.
- ② PLATED INTERNALLY WITH .000030 GOLD.

350690-7	GOLD	①	.012 BRASS	350561-7
350690-3	PRE-TIN		.012 PH. BRZ.	350561-3
350690-2	GOLD	①/②	.012 BRASS	350561-2
350690-1	PRE-TIN			350561-1
LOOSE PIECE (REF)	FINISH		MATERIAL	PART NO

UNLESS OTHERWISE SPECIFIED DIMENSIONS ARE IN INCHES. TOLERANCES ON: DECIMALS ± .010 ANGLES ± .010	CONTRACT NO		STE TE Connectivity	
	DR M. FEHER 5-6-81			
	WIRE RANGE		NAME PIN,	
	24-18 AWG		UNIVERSAL MATE-N-LOK	
INSULATION RANGE		SIZE	CODE IDENT NO	DRAWING NO
.100 DIA MAX		B	00779	350561
OTHER APPD		SCALE 4-1		SHEET #