



ENGLISH

Datasheet

RS PRO Pedestal Mount

The Pedestal mount is a captive flanged mount with a rubber element designed to take vertical load applied in both shear and compression to give maximum isolation from vibrating equipment

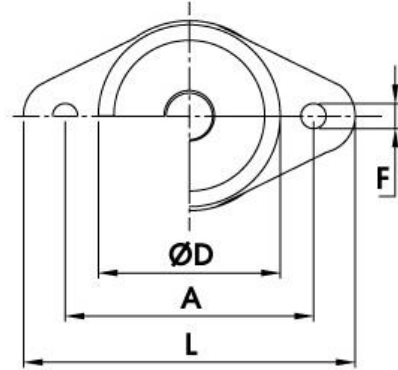
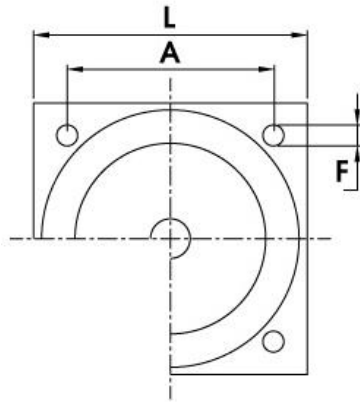
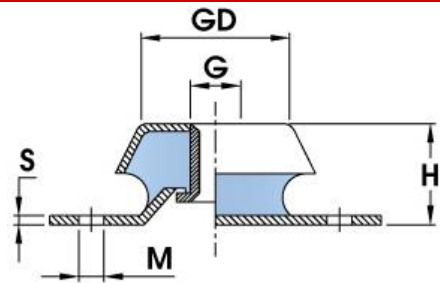
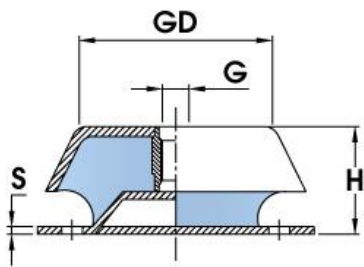


Features:

- Compact design with inbuilt bump and rebound control feature to control movement of equipment in transit
- Dome shaped metal cap protects the elastomer against splashes of oil and fuel contamination
- Compression design and metal cap effectively eliminate airborne noise when compared to spring mountings
- Thick base flange metal to give added strength
- Low height captive mounting capable of taking loads of 40kg to 5000kg

Applications:

- Static and mobile generators
- Pumps, compressors, centrifugal fans and blowers
- Railway equipment compartments
- Marine engines (no thrust) and gearboxes
- Electronic control panels



RS Code (mm)	Rubber Hardness (ShA)	L (mm)	H (mm)	A (mm)	FxM (mm)	D (mm)	GD (mm)	S (mm)	G
1893295	45	110	35	73	8.3x16	65	50	3	M12
1893265	60	110	35	73	8.3x16	65	50	3	M10
1893303	45	138	45	110	10.5x10.5	92	73.5	3	M10
1893286	60	138	45	110	10.5x10.5	92	73.5	3	M10
1893311	60	169	40	140	49x19	105	77	3	M16
1893215	45	144	36	124	10x10	93	70	2.5	M12

Load Deflection Details:

RS Code (mm)	Max kg's	Max mm
1893295	70	3.5
1893265	124	3.5
1893303	350	4
1893286	600	4
1893311	400	6
1893215	180	3.5