



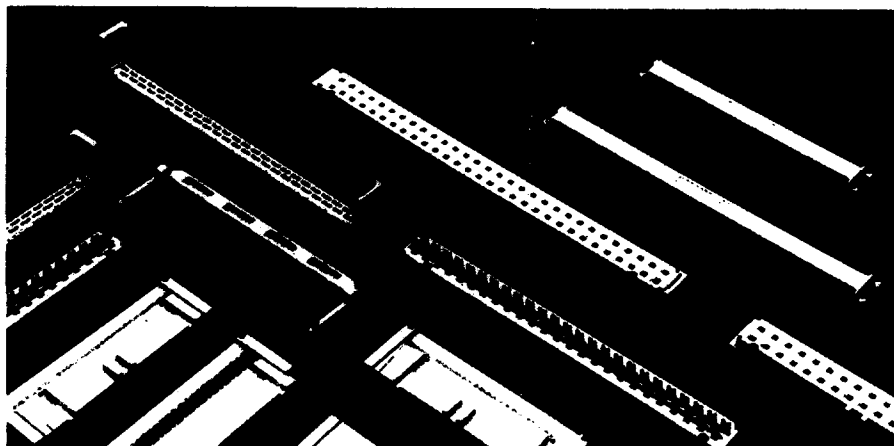
FEMALE SOCKET TRANSITION CONNECTORS

Product Description

The Thomas & Betts 622 Female Socket Transition Connector is designed to mate with a wide variety of Male Headers in PC board applications which require repeated connection and disconnection. The connectors provide fast, high-integrity mass termination of all types of flat cable, simplifying and improving the quality of electronic interconnection. 622 Female Socket Transition Connectors are UL recognized and CSA certified.

Design Advantages

- Contact Material—Beryllium copper with 30 micro inches min. gold in contact area over 50 micro inches min. nickel plating.
- Connector (with or without strain reliefs and polarization tabs) available in 18 contact sizes—4, 6, 10, 12, 14, 16, 20, 24, 26, 30, 34, 36, 40, 44, 50, 56, 60 and 64 positions.
- Strain relief available for all connector sizes (4-64 positions), protects cable-connector termination area and maintains integrity of mass termination over repeated insertion and extraction cycles.
- Polarizing keys provide positive polarization by preventing improper connector entry.



Fast, reliable mass termination of all types of flat cable to male headers on PC boards.

Ordering Information

The information below shows the elements of a catalog number, including available options. To select a product for your specific needs, please refer to appropriate Order Chart on the following page(s).

622-1000

T&B Series

RS
part no.

Number of Positions 00 - Female Socket Transition Connector
 01 - Connector with Strain Relief
 30 - Connector with Polarization Tab
 31 - Strain Relief only
 ** 41 - Connector with Polarization Tab and Strain Relief ** RS

Application Tooling

Hand Tool	779-2100	—	462-975
with Die	779-2151	—	463-091
Bench Press	779-3200	—	463-136
(manual)			
with Platen	779-3130	—	
with Base Plate	779-3151	—	463-259
Bench Press	779-3500XT		
(pneumatic)			
with Platen	779-3130		
with Base Plate	779-3151		

622-0000 - Polarizing Key

Female Socket Transition Connector 4 to 64 Positions

Physical Properties

Insulation Material: Glass filled thermoplastic, rated 94V-0, blue.
Contact Material: Beryllium copper: 30 μ inches minimum gold over 50 μ inches nickel in contact zone; tin-lead over nickel in termination area.

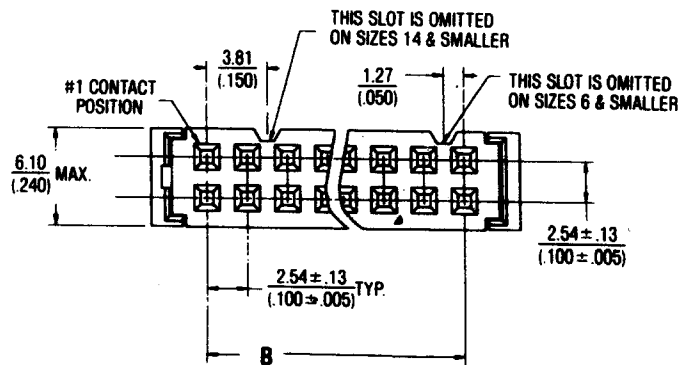
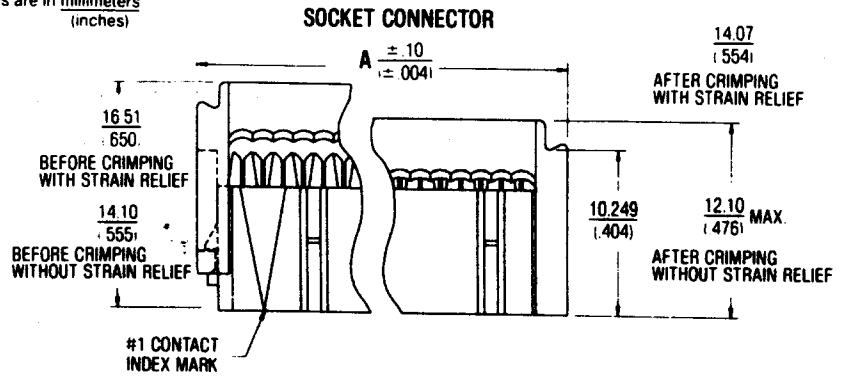
Electrical Properties

Current Rating: 1 Amp
Insulation Resistance: $>1 \times 10^9$ Ohms @ 500 VDC
Dielectric Strength: >1000 VRMS @ sea level

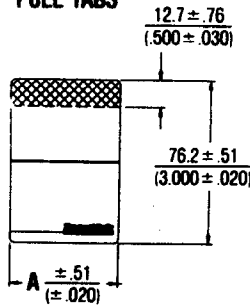
Environmental Properties

Temperature Rating: -55°C to 125°C .

Dimensions shown are for reference only
Dimensions are in millimeters
(inches)



PULL TABS



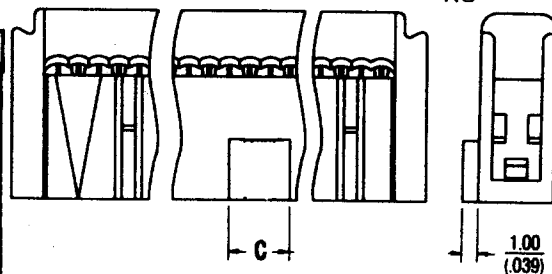
CATALOG NUMBER	A
622-3.2PT	82.6 (3.250)
622-3.1PT	78.7 (3.100)
622-2.5PT	63.5 (2.500)
622-2PT	50.8 (2.000)
622-1.5PT	38.1 (1.500)
622-1PT	25.4 (1.000)
622-.5PT	12.7 (0.500)

622-0000 POLARIZING KEY
FOR POLARIZING CONNECTORS
BY BLOCKING CONTACT ENTRY



T&B no.	RS stock no.
622-1041	461-174
622-1441	461-180
622-1641	461-196
622-2041	461-203
622-2641	461-219
622-3441	461-225
622-4041	461-231
622-5041	461-247

** POLARIZED SOCKET CONNECTOR ** RS



Ordering Information

CATALOG NUMBERS				NO. OF POS.	DIMENSIONS IN MM (INCHES)		
SOCKET CONN.	SOCKET CONN. WITH STRAIN RELIEF	POLARIZED SOCKET CONN.	POLARIZED SOCKET WITH STRAIN RELIEF		A	B	C
622-0400	622-0401	622-0430	622-0441	04	9.58 (.377)	2.54 (.100)	1.90 (.075)
622-0600	622-0601	622-0630	622-0641	06	12.12 (.477)	5.08 (.200)	1.90 (.075)
622-1000	622-1001	622-1030	** 622-1041 **	10	17.20 (.677)	10.16 (.400)	3.20 (.126)
622-1200	622-1201	622-1230	622-1241	12	19.74 (.777)	12.70 (.500)	3.80 (.150)
622-1400	622-1401	622-1430	** 622-1441 **	14	22.28 (.877)	15.24 (.600)	3.80 (.150)
622-1600	622-1601	622-1630	** 622-1641 **	16	24.82 (.977)	17.78 (.700)	3.80 (.150)
622-2000	622-2001	622-2030	** 622-2041 **	20	29.90 (1.177)	22.86 (.900)	3.80 (.150)
622-2400	622-2401	622-2430	622-2441	24	34.96 (1.377)	27.94 (1.100)	3.80 (.150)
622-2600	622-2601	622-2630	** 622-2641 **	26	37.52 (1.477)	30.48 (1.200)	3.80 (.150)
622-3000	622-3001	622-3030	622-3041	30	42.60 (1.677)	35.56 (1.400)	3.80 (.150)
622-3400	622-3401	622-3430	** 622-3441 **	34	47.68 (1.877)	40.64 (1.600)	3.80 (.150)
622-3600	622-3601	622-3630	622-3641	36	50.22 (1.977)	43.18 (1.700)	3.80 (.150)
622-4000	622-4001	622-4030	** 622-4041 **	40	55.30 (2.177)	48.26 (1.900)	3.80 (.150)
622-4400	622-4401	622-4430	622-4441	44	60.38 (2.377)	53.34 (2.100)	3.80 (.150)
622-5000	622-5001	622-5030	** 622-5041 **	50	68.00 (2.677)	60.95 (2.400)	3.80 (.150)
622-6000	622-6001	622-6030	622-6041	60	80.70 (3.177)	73.66 (2.900)	3.80 (.150)
622-6400	622-6401	622-6430	622-6441	64	85.78 (3.377)	78.74 (3.100)	3.80 (.150)