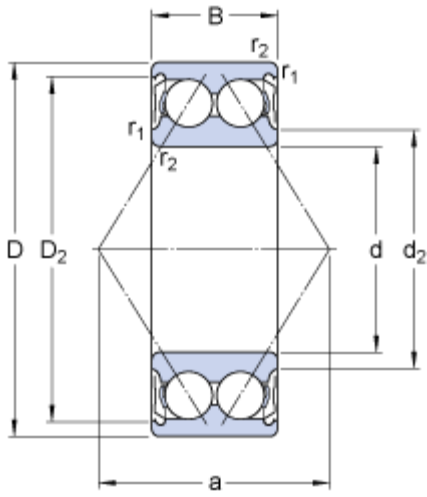


3210 A-2ZTN9/MT33

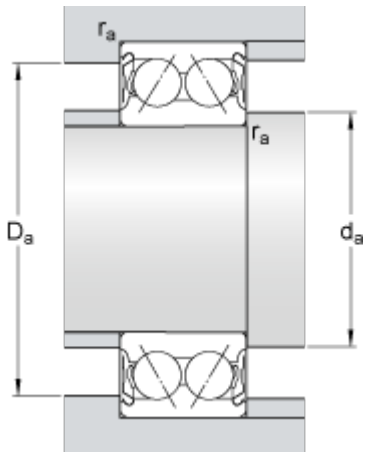
Popular item
SKF Explorer

Dimensions



d	50	mm
D	90	mm
B	30.2	mm
d ₂	≈ 57.8	mm
D ₂	≈ 82.1	mm
r _{1,2}	min. 1.1	mm
a	52	mm

Abutment dimensions



d _a	min. 57	mm
d _a	max. 57.5	mm
D _a	max. 83	mm
r _a	max. 1	mm

Calculation data

Basic dynamic load rating	C	51	kN
Basic static load rating	C ₀	42.5	kN
Fatigue load limit	P _u	1.8	kN
Reference speed		8000	r/min
Limiting speed		7000	r/min
Calculation factor	k _r	0.06	
Calculation factor	e	0.8	
Calculation factor	X	0.63	
Calculation factor	Y ₀	0.66	
Calculation factor	Y ₁	0.78	
Calculation factor	Y ₂	1.24	

Mass

