

# PRODUCT DETAILS

## ARTICLE: [19117FR](#)



### WHEEL A 200X50/60 INOX RB SWIVEL FORK X20 + BRAKE

#### Wheel series A

Wheels with cast polyurethane coating 95 Sh.A on polyamide 6 center.  
Wheel fitted with stainless steel roller bearing.

#### Castor series INOX20

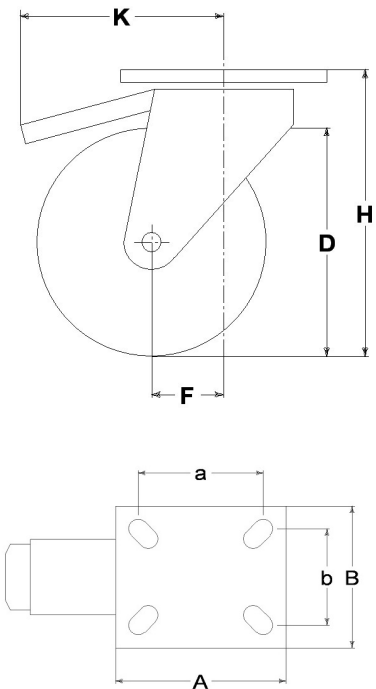
Inox20 series, polished stainless steel forks, swivels with double ball races.

Trailing foot brake - total stop.



#### Technical data

Wheel diameter	D	200 mm
Tyre width	E	50,0 mm
Bore diameter	d	20 mm
Weight article		2,810 kg
Hub width	L	60 mm
Overall height	H	240 mm
Top plate outer dimensions	AxB	135x110 mm
Bolt hole spacing	axb	105x75 mm
Bolt hole spacing	axb	105x80 mm
Fixing bolt diameter	g	M10
Offset	F	59 mm
Fork width	U	60 mm
Load Capacity		370 kg



#### Related Articles

Spare part wheel: [4517/X](#)

Basic version: [19117](#)

#### GENERAL INFORMATION / RECOMMENDATIONS AND WARNINGS

The cited text and the complete catalogue in their most up-dated versions are available in the OEM's website page [www.lagspa.it/downloads](http://www.lagspa.it/downloads). The dimensions, descriptions, specifications and illustrations herein are indicative and subject to variations without notice. The fact that products are illustrated herein does not necessarily imply they are available from stock nor does it place us under any obligation to supply them.

Tests carried out refer to the original products with original accessories: the replacement of one of the components with others of different manufacture might prevent the same results from being achieved and will automatically invalidate any guarantee. Please contact our technical service concerning any special application.