



XPS-AL Replaced by XPS-AC

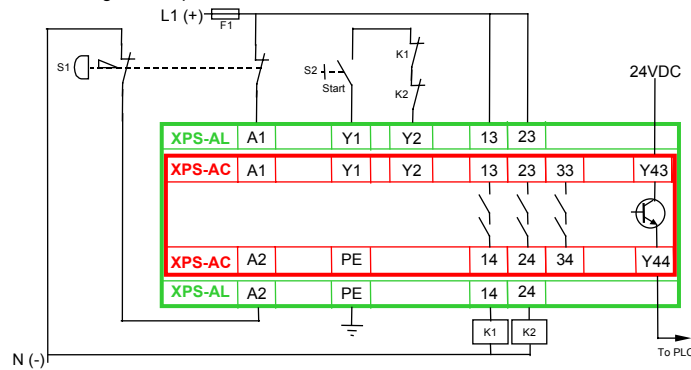


Differentiation

- XPS-AC has one extra N/O safety output
- XPS-AC has a solid state output for PLC signalling
- XPS-AC has choice of removable plug terminals

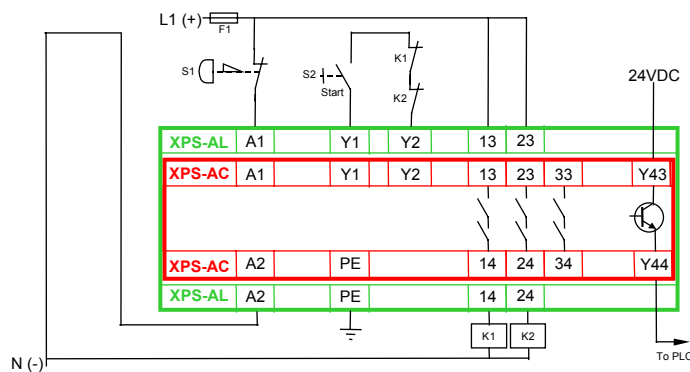
Schematic Comparison

Monitoring of E-stop with 2N/C contacts



XPS-AL Replaced by XPS-AC

Monitoring of E-stop with 1N/C contact



Cross Reference Table

Supply Voltage	Obsolete Reference	Existing Reference *
24VAC/DC	XPS-AL5110	XPS-AC5121
48VAC	-	XPS-AC1321
120VAC	XPS-AL3410	XPS-AC3421
230VAC	XPS-AL3710	XPS-AC3721

*add P to reference for removable plug terminals