

Excel|Mate Metal (HVSL S 800)

Excel|Mate Metal (HVSL S800)



Excel|Mate Metal

Excel|Mate Metal is a 2 pin connector with a current carrying capacity of 180A and 35 to 50mm² crimping cable.

Specially designed for battery, inverters, junction boxes, power distribution boxes and others xEV devices' equipment.

KEY FEATURES

- Integrated internal HVIL
- Current rating up to 180A
- No tool required to unmate
- Sealing, IP67 (mated), IP6K9K
- Touch-proof, IP2XB
- Multiple coding positions
- CPA available

MECHANICAL

Durability	≥ 50 mating cycles
Wire range	35 to 50 mm ² shielded wire
Insertion and extraction force	< 100N
Connection type	Copper bar
HVIL	Integrated
CPA	Available

ELECTRICAL

Rated voltage	1000V DC
Rated current	180A Max @ ambient temperature 70°C
Insulator resistance	> 200MΩ
Dielectric withstand voltage	3000V AC
Shielding	360° from wire to device

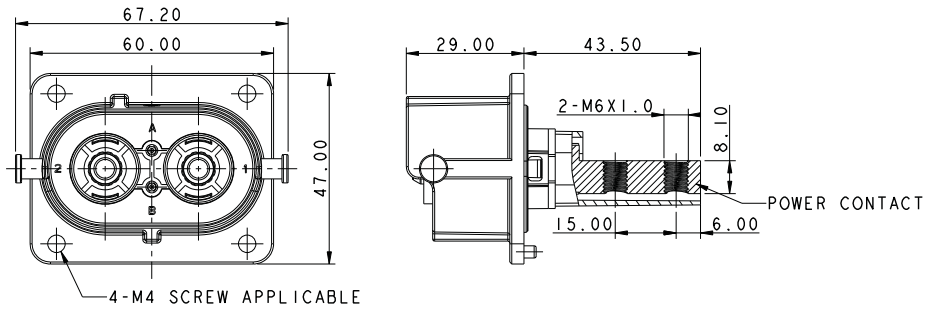
ENVIRONMENTAL

Sealing	IP67, IP6K9K (mated)
Touch-proof	IP2XB
Temperature range	-40°C to 125°C
Salt spray	96 hours

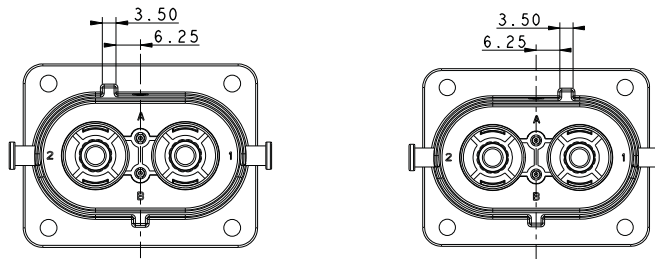
MATERIAL

Terminals	Copper/copper alloy with silver plating
Housing	Zinc alloy

RECEPTACLE

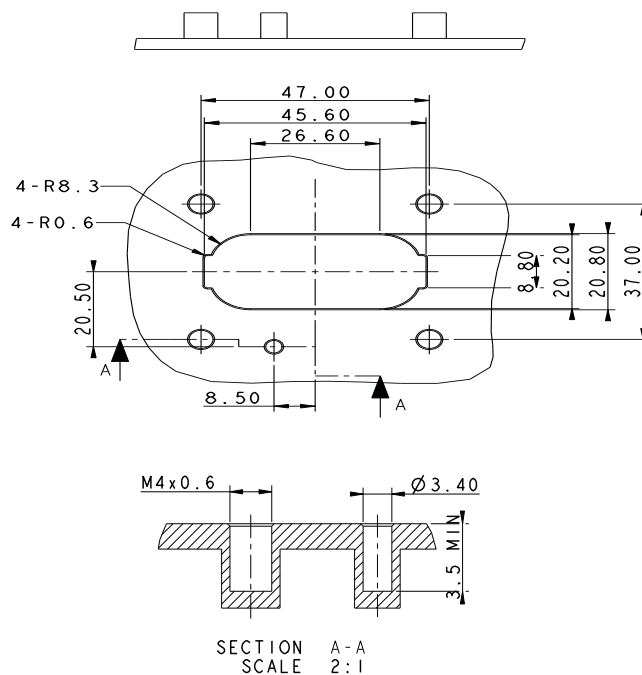


INSERT ORIENTATIONS



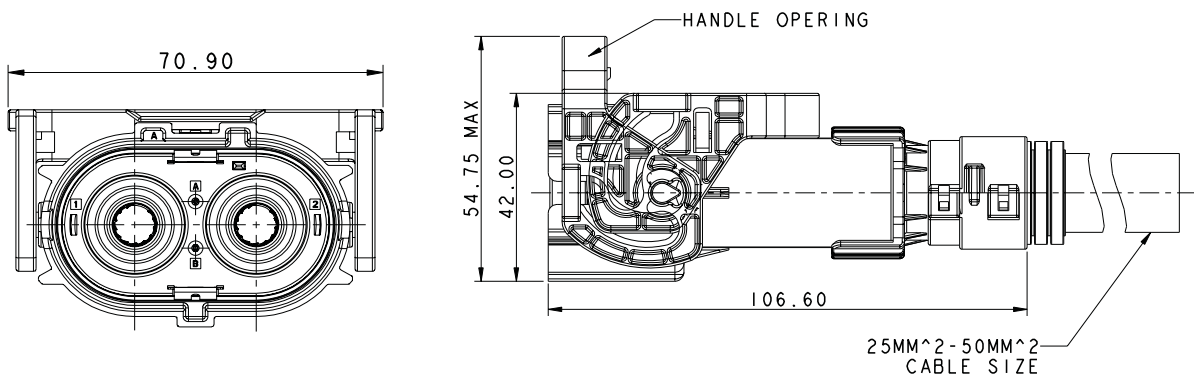
	Coding A	Coding B
P/N	HVSL800 02 2 A	HVSL800 02 2 B

PANEL MOUNTED DIMENSIONS

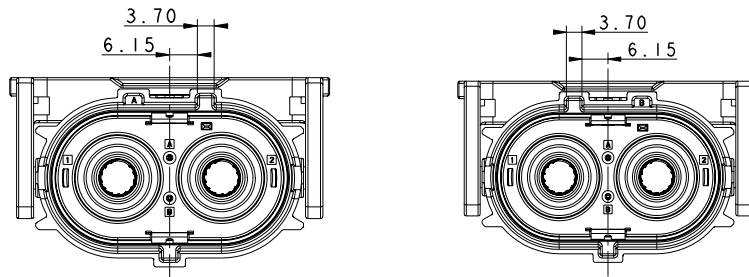


Excel|Mate Metal (HVSL S 800)

STRAIGHT PLUG



INSERT ORIENTATIONS

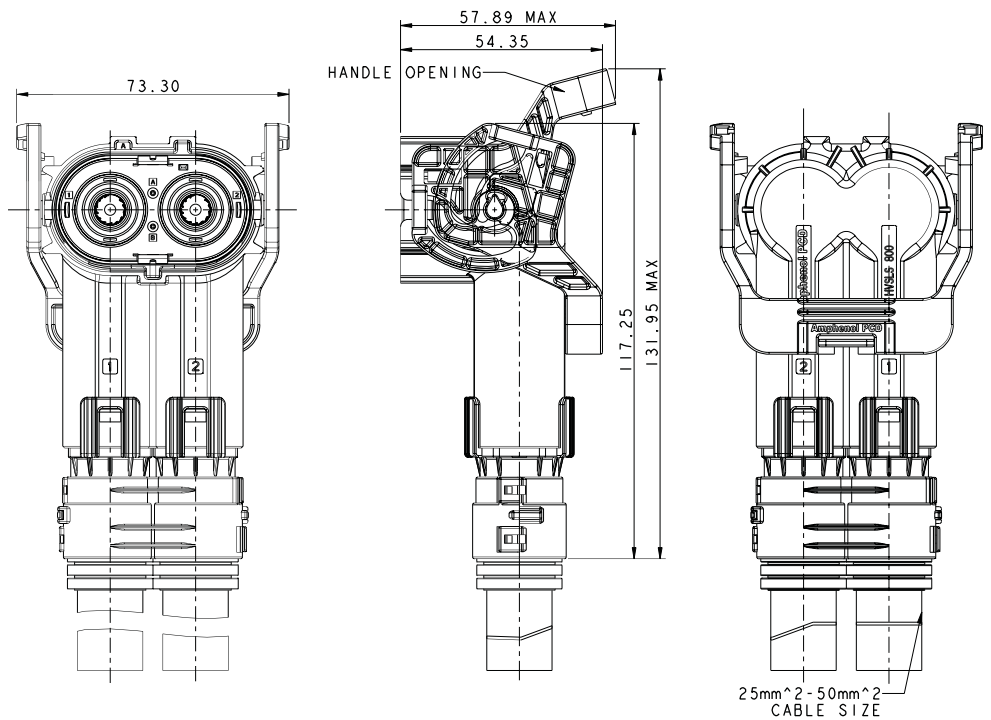


P/N

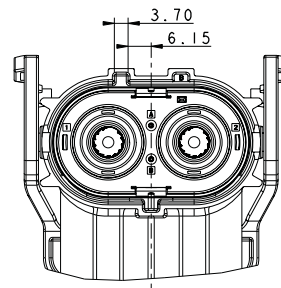
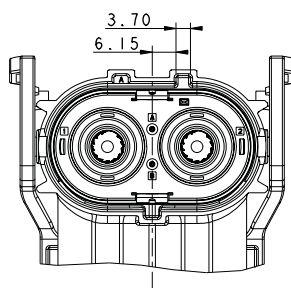
Coding A
HVSL S800 06 2 A

Coding B
HVSL S800 06 2 B

RIGHT ANGLE PLUG

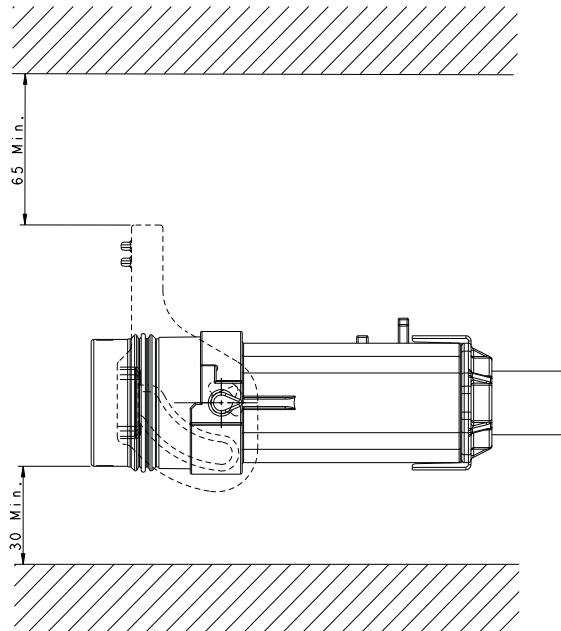


INSERT ORIENTATIONS



	Coding A	Coding B
P/N	HVSL800 08 2 A	HVSL800 08 2 B

INSTALLATION CLEARANCE



HOW TO ORDER: PLUG

	HVSL800	06	2	A	0	35
Product type:	06: Straight plug 08: Right angle plug					
Position:	2: 2 position					
Coding / Alternate position:	A: Coding A B: Coding B					
Interlock:	0: Without interlock 1: With interlock					
Cable size:	35: 35mm ² cable 50: 50mm ² cable					

HOW TO ORDER: RECEPTACLE

	HVSL800	02	2	A	0	H6
Product type:	02: Box mounted receptacle					
Position:	2: 2 position					
Coding / Alternate position:	A: Coding A B: Coding B					
Interlock:	0: Without interlock 1: With interlock					
Cable size:	H6: OT terminal					