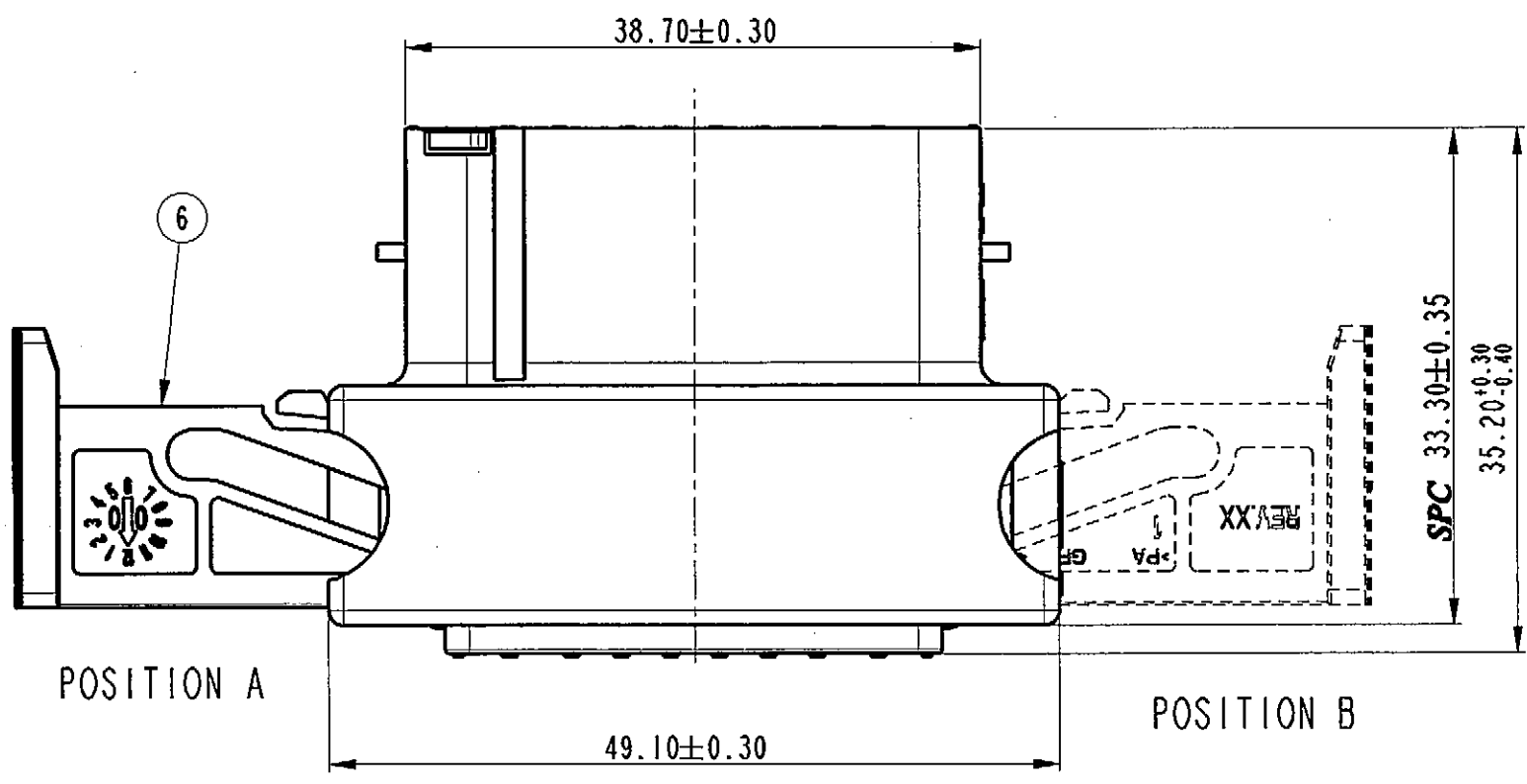
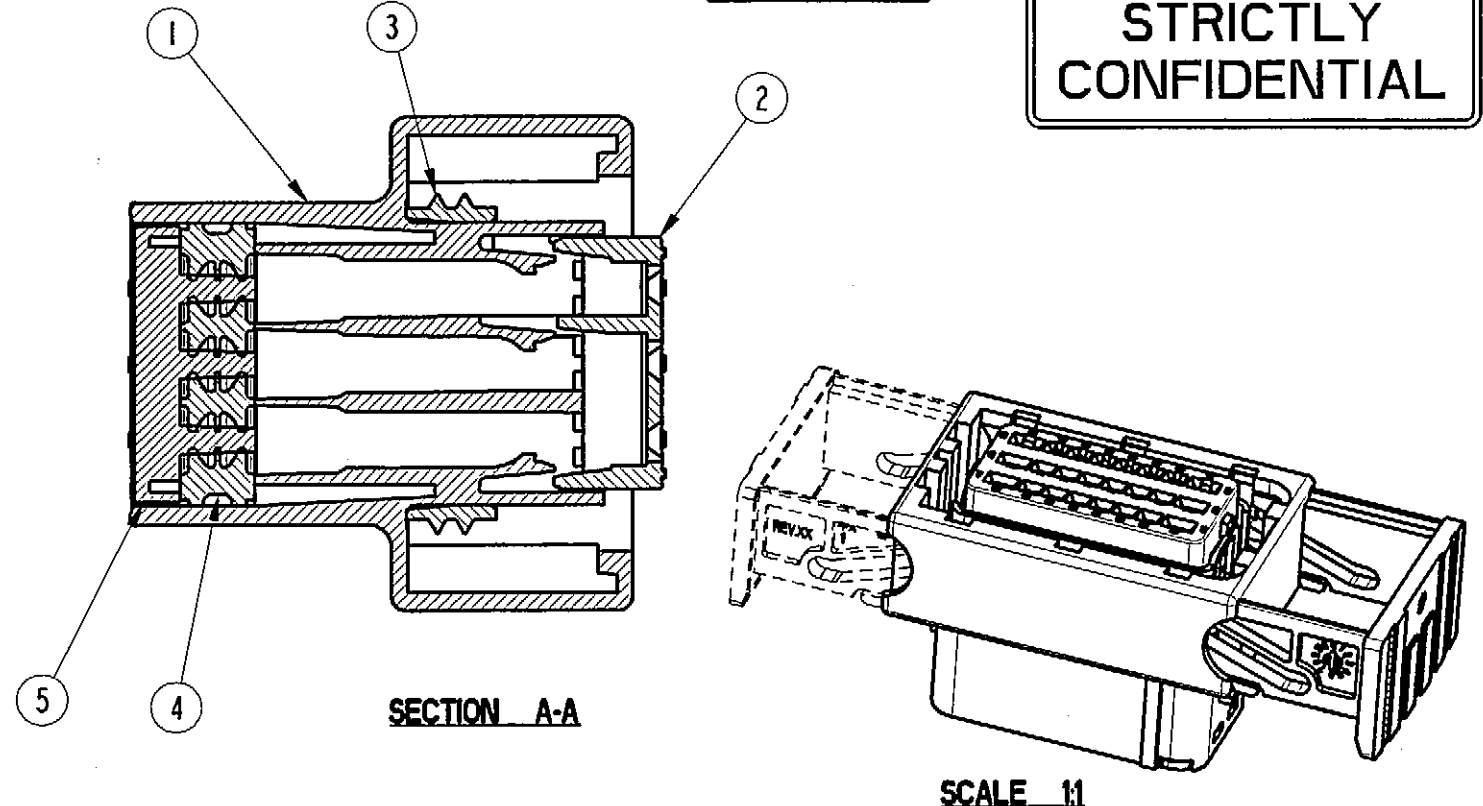
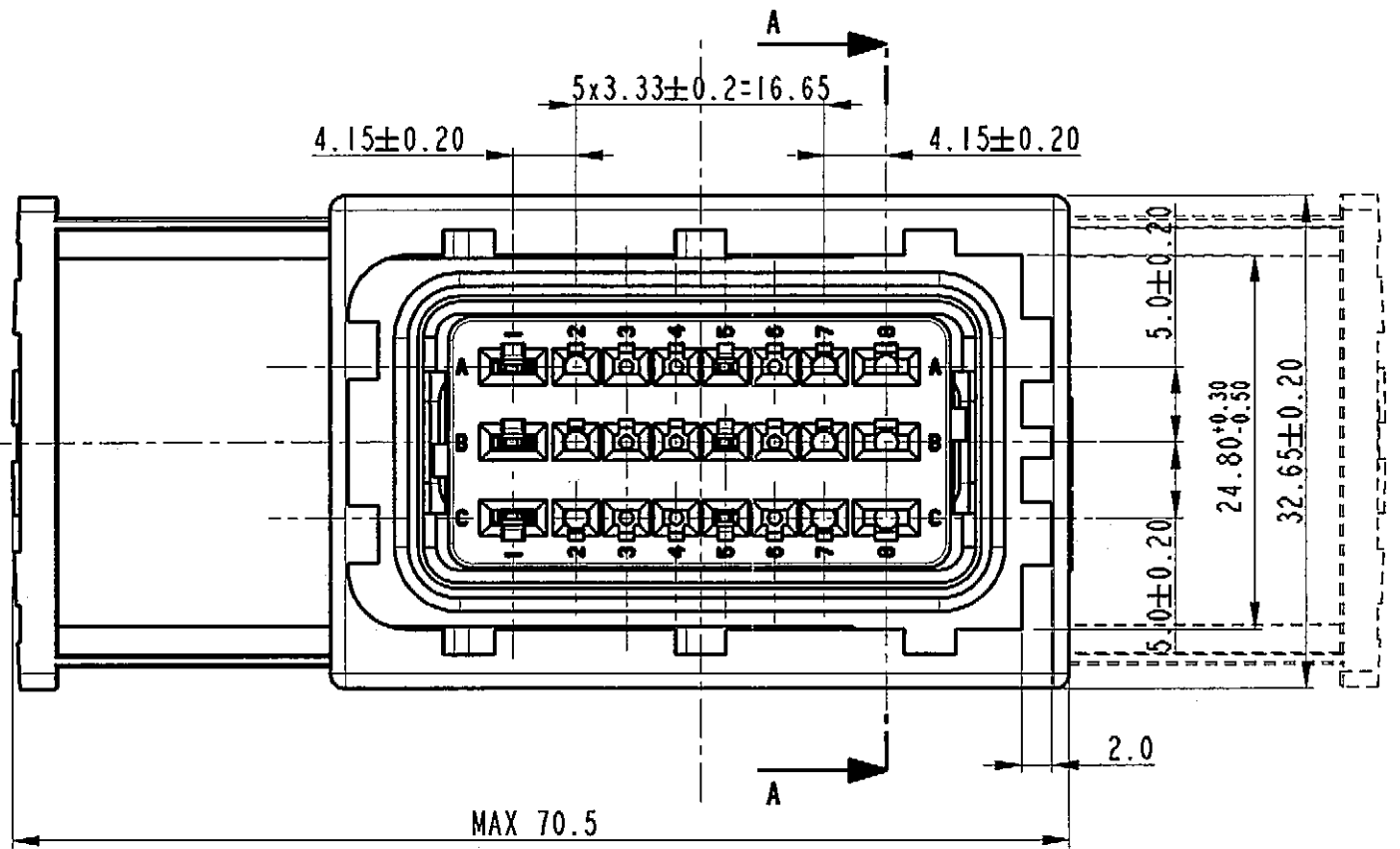


STRICTLY CONFIDENTIAL



N°	DESCRIPTION	COLOR	MATERIAL
1	HOUSING	BLACK-BROWN BLUE-GREY	SEE SHEET 2/3-3/3
2	SEC. LOCK	YELLOW	PBT
3	GASKET	RED	SILICON
4	GROMMET	RED, GREEN or BLUE	SILICON
5	GROMMET STOP	BLACK-BROWN	PBT
6	SLED	VIOLET or GREY	PA 6.6

SPC Statistical Process Control

ECN-NO. NUMERO -ECN	DATE DATA	REVISION REVISIONE	POSITION POSIZIONE	CHANGE DESCRIPTION DESCRIZIONE MODIFICA	DRAWN BY DISEGNATORE	CHK. BY CONTROLLATO	APPR. BY APPROVATO
ECN 17/04	28/05/04	07		See ECN Documentation			
ECN 10/04	17/02/04	06		ADDED 3 CATALOG NUMBERS (SEE SHEET 3)	R.R.	G.S.	
ECN 41/03	05/11/03	05		RELEASED FOR PRODUCTION	R.R.	G.S.	
	28/10/03	04		UPDATED DRAWING	R.R.	G.S.	
	01/09/03	03		MODIFIED MATERIAL FOR THE FOLLOWING P/N 211PC249SX020 - 211PC249SX023 - 1211PC249SX033 WAS PA6 GF 15 PBT GF	R.R.	G.S.	
	28/05/03	02		ADDED P/N 211PC249SX043	R.R.	G.S.	
	21/03/03	01		UPDATED DRAWING	R.R.	G.S.	

CODING TABLE
Tavola di codifica

TOLERANCES ±0.2
Tolleranze

FRONT VIEW
Vista frontale

■: FULL
Pieno

COLOR	BLACK	GREY	BROWN	BLUE

PRODUCT SPEC. SPEC. DI PRODOTTO: --

PACKAGING SPEC. SPEC. DI IMBALLAGGIO: --

APPLICATION SPEC. SPEC. DI APPLICAZIONE: --

TOLERANCES TOLLERANZE: ± 0.2mm. / ± 0.5°

MATERIAL: MATERIALE: SEE TABLE

CAD SYSTEM: pro / eng.

ISO PROJECTION PROIEZIONE ISO: A

DIMENSION IN MILLIMETERS DIMENSIONI IN MILLIMETRI: A3

DO NOT SCALE DRAWING DISEGNO FUORI SCALA

LOC. CODE NAZIONALITA': I

DRAWN BY: 09/01/03 R. Rampone

CHECKED BY: 09/01/03 G. Stella

APPROVED BY: [Signature]

TITLE DESCRIZIONE: 24 WAYS SECTIONING ASSEMBLY FEMALE HOLDER

ESR NO. NUMERO ESR: ITA2043

FILE NAME HOME FILE: FSC 309602

CAT. NO. NUMERO CAT.: SEE TABLE ON SHEET 2 of 3 AND 3 of 3

DRAWING NUMBER NUMERO DISEGNO: FSC 309602

SHEET FOGLIO: 1 of 3

SCALE SCALA: 2:1

PLEASE COPY WHEN IN RED


STRICTLY CONFIDENTIAL

COMPONENTS

P/N ASSEMBLY	HOUSING	HOUSING MATERIAL	SEC. LOCK	GASKET	GROMMET "RED"	GROMMET "GREEN"	GROMMET "BLUE"	GROMMET STOP "France"	GROMMET STOP "Italy"	SLED VIOLET "RENAULT"	SLED VIOLET "NEUTRAL" POSITION A	SLED VIOLET "NEUTRAL" POSITION B	SLED "GREY"	DETAIL X
2IIPC249S0018	Black	PA 6	Yes	Yes	Yes			Yes			Yes			
2IIPC249S1018	Brown	PA 6	Yes	Yes	Yes			Yes			Yes			
2IIPC249S6018	Blue	PA 6	Yes	Yes	Yes			Yes			Yes			
2IIPC249S8018	Grey	PA 6	Yes	Yes	Yes			Yes			Yes			
2IIPC249S0031	Black	PA 6	Yes	Yes	Yes			Yes				Yes		
2IIPC249S1031	Brown	PA 6	Yes	Yes	Yes			Yes				Yes		
2IIPC249S6031	Blue	PA 6	Yes	Yes	Yes			Yes				Yes		
2IIPC249S8031	Grey	PA 6	Yes	Yes	Yes			Yes				Yes		
2IIPC249S0020	Black	PBT	Yes											
2IIPC249S1020	Brown	PBT	Yes											
2IIPC249S6020	Blue	PBT	Yes											
2IIPC249S8020	Grey	PBT	Yes											
2IIPC249S0023	Black	PBT	Yes	Yes	Yes				Yes					
2IIPC249S1023	Brown	PBT	Yes	Yes	Yes				Yes					
2IIPC249S6023	Blue	PBT	Yes	Yes	Yes				Yes					
2IIPC249S8023	Grey	PBT	Yes	Yes	Yes				Yes					
2IIPC249S0033	Black	PBT	Yes	Yes		Yes			Yes					
2IIPC249S1033	Brown	PBT	Yes	Yes		Yes			Yes					
2IIPC249S6033	Blue	PBT	Yes	Yes		Yes			Yes					
2IIPC249S8033	Grey	PBT	Yes	Yes		Yes			Yes					
2IIPC249S0043	Black	PA 6	Yes	Yes			Yes	Yes						
2IIPC249S1043	Brown	PA 6	Yes	Yes			Yes	Yes						
2IIPC249S6043	Blue	PA 6	Yes	Yes			Yes	Yes						
2IIPC249S8043	Grey	PA 6	Yes	Yes			Yes	Yes						

DRAWING COPY WHEN IN RED

ECN 17/04	28/05/04	07	See ECN Documentation
ECN 10/04	17/02/04	06	ADDED 3 CATALOG NUMBERS (SEE SHEET 3) R.R.G.S.
ECN 41/03	05/11/03	05	RELEASED FOR PRODUCTION R.R.G.S.
	28/10/03	04	UPDATED DRAWING R.R.G.S.
	01/09/03	03	MODIFIED MATERIAL FOR THE FOLLOWING P/N 2IIPC249S020 - 2IIPC249S023 - 12IIPC249S033 WAS PA6 GF 1S PBT GF R.R.G.S.
	28/05/03	02	ADDED P/N 2IIPC249S043 R.R.G.S.
	21/03/03	01	UPDATED DRAWING R.R.G.S.
ECN-NO. NUMERO - ECH	DATE DATA	REVISION REVISIONE	POSITION POSIZIONE
CHANGE DESCRIPTION DESCRIZIONE MODIFICA			DRAWN BY DISEGNATORE
PRODUCT SPEC. SPEC. DI PRODOTTO			CHK. BY CONTROLLO
PACKAGING SPEC. SPEC. DI IMBALLAGGIO			APPR. BY APPROVATO
APPLICATION SPEC. SPEC. DI APPLICAZIONE			
THIS DRAWING AND ALL OTHER INFORMATION CONTAINED THEREIN IS PROPRIETARY AND THE PROPERTY OF FCI. This drawing may not be copied, reproduced or disclosed to any third party without the expressed written permission of FCI. © FCI April 1999			
QUESTO DISEGNO ED OGNI ALTRA INFORMAZIONE IN ESSO CONTENUTA SONO ESCLUSIVI E DI PROPRIETA' DELLA FCI. Questo disegno non puo' essere copiato, riprodotto o divulgato a terzi senza l' espresso consenso scritto della FCI. © FCI April 1999			
TOLERANCES TOLLERANZE	MATERIAL : MATERIALE	SURFACE FINISH FINITURA SUPERFICIALE	
± 0.2mm. / ±0.5°	SEE TABLE		
DO NOT SCALE DRAWING DISEGNO FUORI SCALA	COLOUR : COLORE	LOC. CODE NAZIONALITA'	
	TOOL NO.		
DRAWN BY DISEGNATORE	DATE DATA	NAME NOME	TITLE DESCRIZIONE
CHECKED BY CONTROLLATO	09/01/03	R. Rampone	24 WAYS SECTIONING ASSEMBLY FEMALE HOLDER
APPROVED BY APPROVATO	09/01/03	G. Stella	
ESR NO. NUMERO ESR	ITA2043	FILE NAME NOME FILE	FSC 309602
CAT. NO. NUMERO CAT.	SEE TABLE		
DRAWING NUMBER NUMERO DISEGNO	FSC 309602		SHEET FOGLIO
			2
			of 1 di 3
	SCALE SCALA		2:1



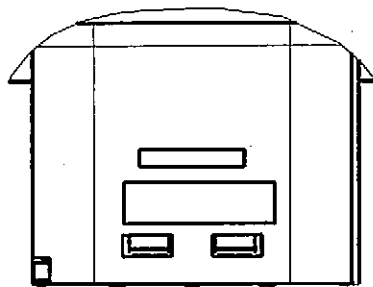
ISO PROJECTION PROIEZIONE ISO
 DIMENSION IN MILLIMETERS DIMENSIONI IN MILLIMETRI
 CAD SYSTEM pro / eng.
 DWG SIZE FORMATO A3

STRICTLY CONFIDENTIAL

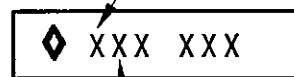
COMPONENTS

P/N ASSEMBLY	HOUSING	HOUSING MATERIAL	SEC. LOCK	GASKET	GROMMET "RED"	GROMMET "GREEN"	GROMMET "BLUE"	GROMMET STOP "France"	GROMMET STOP "Italy"	SLED VIOLET "RENAULT"	SLED VIOLET "NEUTRAL" POSITION A	SLED VIOLET "NEUTRAL" POSITION B	SLED "GREY"	DETAIL X
2IIPC249S0005	Black	PBT	Yes	Yes	Yes			Yes						Yes
2IIPC249S1005	Brown	PBT	Yes	Yes	Yes			Yes						Yes
2IIPC249S6005	Blue	PBT	Yes	Yes	Yes			Yes						Yes
2IIPC249S8005	Grey	PBT	Yes	Yes	Yes			Yes						Yes
2IIPC249S0053	Black	PBT	Yes	Yes		Yes			Yes			Yes		
2IIPC249S1053	Brown	PBT	Yes	Yes		Yes			Yes			Yes		
2IIPC249S8053	Grey	PBT	Yes	Yes		Yes			Yes			Yes		

DETAIL "X"
 (Specific only for Renault Version)



Code Renault



Text height 2 mm in relief 0.1 mm

ECN 17/04	28/05/04	07		See ECN Documentation			
ECN 10/04	17/02/04	06		ADDED 3 CATALOG NUMBERS (SEE SHEET 3)	R.R.	G.S.	
ECN 41/03	05/11/03	05		RELEASED FOR PRODUCTION	R.R.	G.S.	
	28/10/03	04		UPDATED DRAWING	R.R.	G.S.	
	01/09/03	03		MODIFIED MATERIAL FOR THE FOLLOWING P/N 2IIPC249SX020 - 2IIPC249SX023 - 12IIPC249SX033 WAS PA6 GF 15 PBT GF	R.R.	G.S.	
	28/05/03	02		ADDED P/N 2IIPC249SX043	R.R.	G.S.	
	21/03/03	01		UPDATED DRAWING	R.R.	G.S.	
ECN-NO. NUMERO - ECH	DATE DD / MM / YY DATA	REVISION REVISIONE	POSITION POSIZIONE	CHANGE DESCRIPTION DESCRIZIONE MODIFICA	DRAWN BY DISEGNATORE	CHK. BY CONTROLLATO	APPR. BY APPROVATO
PRODUCT SPEC. SPEC. DI PRODOTTO	PACKAGING SPEC. SPEC. DI IMBALLAGGIO	APPLICATION SPEC. SPEC. DI APPLICAZIONE	THIS DRAWING AND ALL OTHER INFORMATION CONTAINED THEREIN IS PROPRIETARY AND THE PROPERTY OF FCI. This drawing may not be copied, reproduced or disclosed to any third party without the expressed written permission of FCI. © FCI April 1999		QUESTO DISEGNO ED OGNI ALTRA INFORMAZIONE IN ESSO CONTENUTA SONO ESCLUSIVI E DI PROPRIETA' DELLA FCI. Questo disegno non può essere copiato, riprodotto o divulgato a terzi senza l'espresso consenso scritto della FCI. © FCI April 1999		
TOLERANCES TOLLERANZE		MATERIAL : MATERIALE :		SURFACE FINISH FINITURA SUPERFICIALE		CAD SYSTEM	
± 0.2mm. / ±0.5°		SEE TABLE		-		pro / eng.	
DO NOT SCALE DRAWING DISEGNO FUORI SCALA		COLOUR : COLORE :		TOOL NO.		DIMENSION IN MILLIMETERS DIMENSIONI IN MILLIMETRI	
		-		-		A3	
		LOC. CODE NAZIONALITA'		DRAWING NUMBER NUMERO DISEGNO		SHEET FOGLIO	
		-		FSC 309602		3 of 3	
DRAWN BY DISEGNATORE		NAME NONE		TITLE DESCRIZIONE		SCALE SCALA	
09/01/03 R.Rampono				24 WAYS SECTIONING ASSEMBLY FEMALE HOLDER		1:1	
CHECKED BY CONTROLLATO				ESR NO. NUMERO ESR		CAT. NO. NUMERO CAT.	
09/01/03 G.Stella				ITA2043		SEE TABLE	
APPROVED BY APPROVATO				FILE NAME NONE FILE			
				FSC 309602			

TRACED COPY WHEN IN RED