



Brand of NTN Group

Technical data

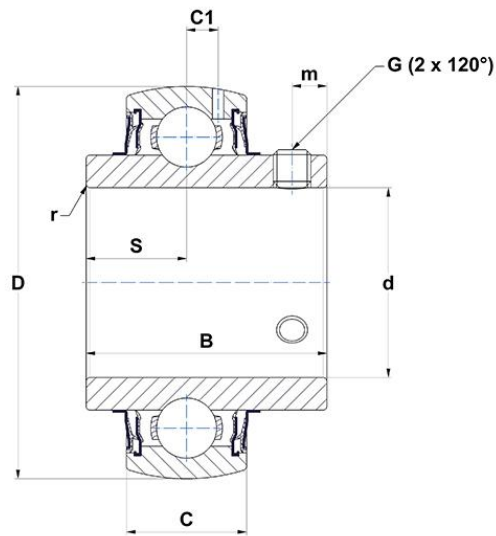
UC210G2L4

Insert bearings



Zinc-coated insert, spherical outer diameter, fixing by socket set screw, L4 sealing system

VISUAL (S)



PRODUCT DEFINITION

| | |
|---|----------|
| Brand | SNR |
| B - Width of Inner Ring | 51,6 mm |
| C - Width of Outer Ring | 23 mm |
| C1 - Distance center of OR to center of lubrication zone | 6,5 mm |
| d - Shaft diameter | 50 mm |
| D - Outer diameter of OR | 90 mm |
| G - Set screw size | M10x1,25 |
| m - Distance to set screw | 9 mm |



NTN Europe

1 rue des Usines · BP 2017 · 74010 Annecy Cedex · France · Tel. +33 (0)4 50 65 30 00
S.A. au capital de 322 639 919 € · RCS ANNECY B 325 821 072 · Id. Fiscale : FR 48 325 821 072
SIRET 325 821 072 00015 · Code APE 2815 Z · Code NACE 28.15

PRODUCT DEFINITION

| | |
|---|-------|
| r - Radius Inner Ring | 1.1 |
| S - Distance front side/bearing centre | 19 mm |
| f0 - Factor | 14.4 |
| SW - Wrench size | 5 mm |

PRODUCT PERFORMANCE

| | |
|-----------------------------------|-------------|
| C - Dynamic load rating | 35100000 mN |
| C0 - Static load rating | 23200000 mN |
| Operating temperature min. | 253,15 °K |
| Operating temperature max. | 373,15 °K |

OTHER FEATURES

| | |
|--|--------|
| Mass | 0,8 kg |
| Recommended tightening torque for set screw | 22 N-m |

BEARING FREQUENCIES

| | |
|---|----------------------|
| BPFO - Over rolling frequency on outer ring (60 rpm) | 4.09285714285714 Hz |
| BPMF - Over rolling frequency on inner (60 rpm) | 5.90714285714286 Hz |
| BSF - Over rolling frequency on rolling element (60 rpm) | 5.33038245219348 Hz |
| BRF - Rotational frequency - rolling element (60 rpm) | 2.66519122609674 Hz |
| FTF - Rotational frequency - cage (60 rpm) | 0.409285714285714 Hz |

