

Compact fan heater HGL046 DC, 48V, 400W



Model		
product brand name	SIVACON	
product designation	heater unit	
design of the product	Molded case	
General technical data		
consumed active power rated value	400 W	
Voltage		
type of voltage of the operating voltage	DC	
continuous heating power at 20 °C	400 W	
operating voltage		
• at DC rated value minimum	48 V	
• at DC rated value maximum	48 V	
Protection class		
protection class IP	IP20	
Main circuit		
operational current of the slow-blow fuse link	12.5 A	
Product details		
product component		
• blower	Yes	
• thermostat	No	
Connections		
tightening torque with screw-type terminals maximum	0.8 N·m	
type of connection technology	Internal connecting terminal 1.5 mm ² with strain relief	
Mechanical Design		
height	222 mm	
width	100 mm	
depth	85 mm	
fastening method	Clip for 35 mm DIN rail	
mounting position	air flow direction vertical (air exits on top/connection at bottom)	
net weight	1.4 kg	
material of the enclosure	plastic	
Environmental conditions		
relative humidity reference value	90 %	
Approvals Certificates		
General Product Approval	other	Environment



EG-Konf.



UR



[Confirmation](#)

[Environmental Con-
firmations](#)

Further information

Information on the packaging

<https://support.industry.siemens.com/cs/ww/en/view/109813875>

Information- and Downloadcenter (Catalogs, Brochures,...)

<http://www.siemens.com/lowvoltage/catalogs>

Industry Mall (Online ordering system)

<https://mall.industry.siemens.com/mall/en/en/Catalog/product?mlfb=8MR2122-8AA>

Service&Support (Manuals, Certificates, Characteristics, FAQs,...)

<https://support.industry.siemens.com/cs/ww/en/ps/8MR2122-8AA>

Image database (product images, 2D dimension drawings, 3D models, device circuit diagrams, ...)

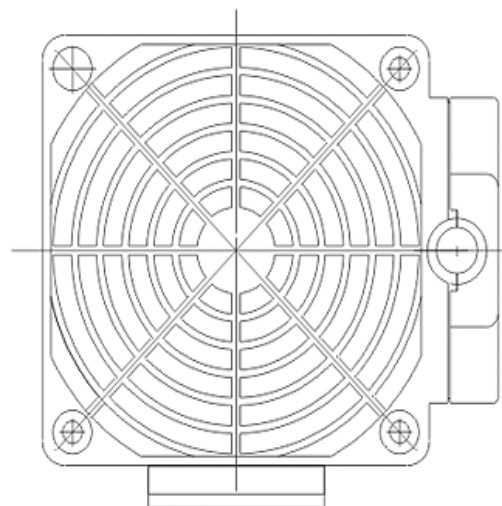
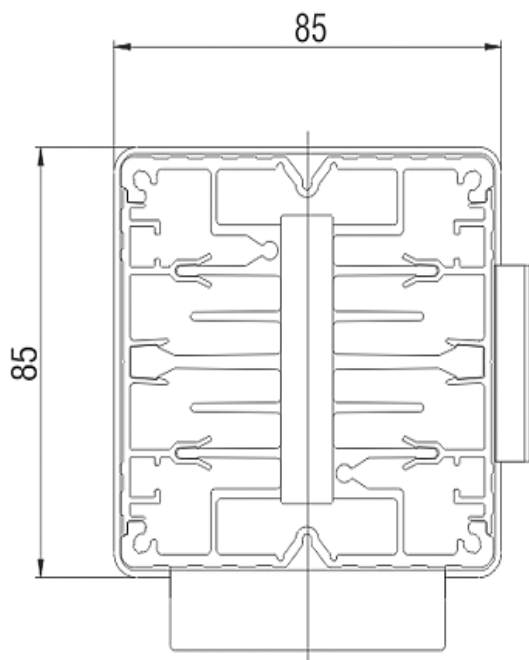
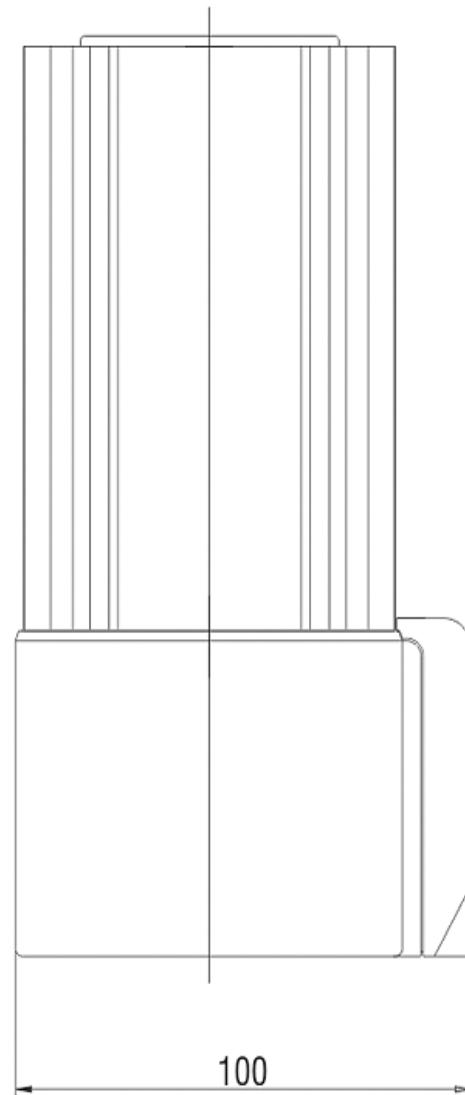
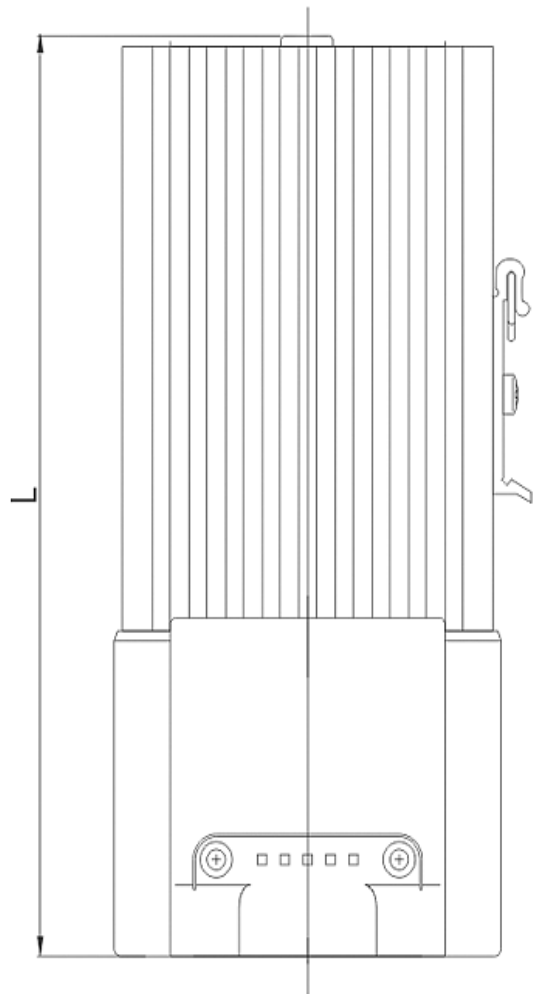
http://www.automation.siemens.com/bilddb/cax_en.aspx?mlfb=8MR2122-8AA

CAX-Online-Generator

<http://www.siemens.com/cax>

Tender specifications

<http://www.siemens.com/specifications>



last modified:

5/24/2025 

