

MQ15-X-Power female 0° with cable

PUR 6x2,5 bk UL/CSA + drag chain 5,0m

MQ15

Female straight

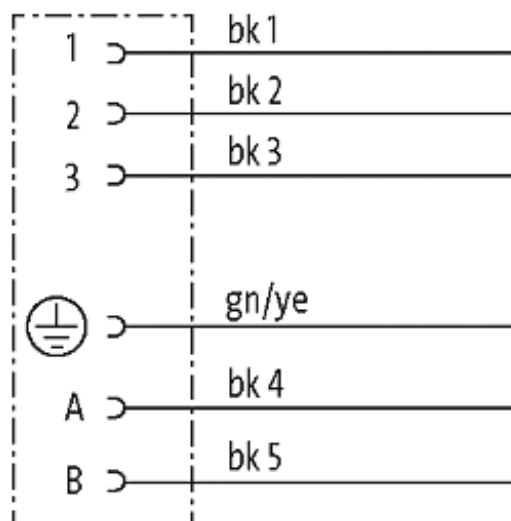
6-pole

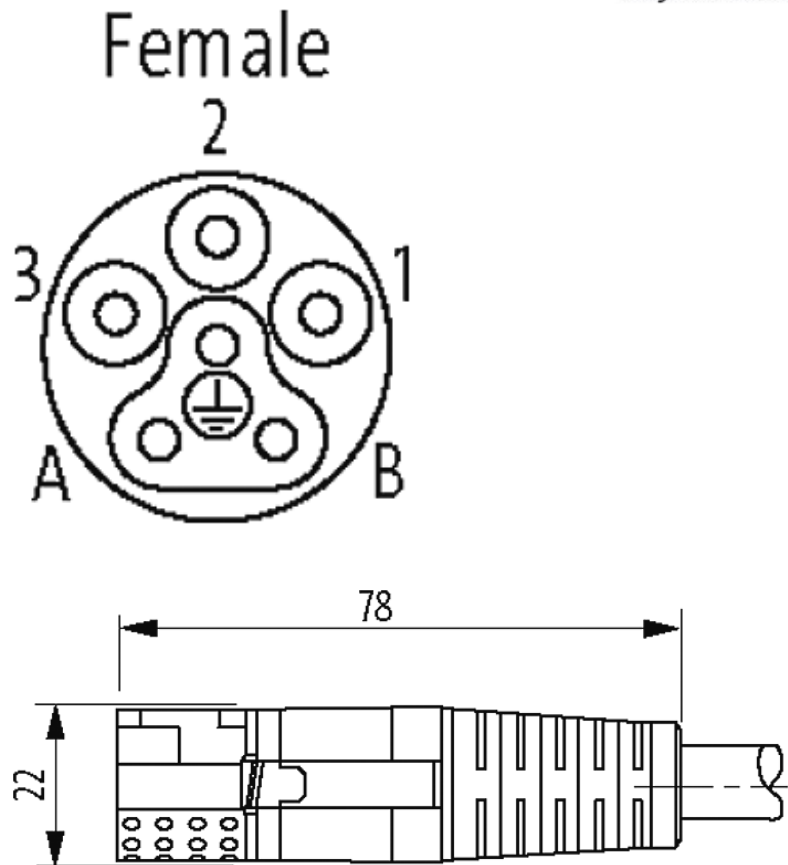
Quick connection technology

Plastic housings with good resistance against chemicals and oils. The resistance to aggressive media should be individually tested for your application. Further details on request. Further cable lengths on request.

[Link to Product](#)

Illustration





Product may differ from Image

Form

Form P8121

Technical Data

| | |
|--|--|
| Operating voltage | max. 600 V AC/DC |
| Operating voltage (Signal) | max. 63 V AC/DC (A, B) |
| Operating current per contact | max. 16 A |
| Operating current per contact (Signal) | max. 10 A (A, B) |
| Locking of ports | Quick connection, 1/4 turn |
| Protection | IP67 inserted and tightened (EN 60529) |
| Locking material | Polyamide |

Cables

| | |
|-----------------------------|-------------------------|
| Cable number | P01 |
| No./diameter of wires | 6 × 2.5 mm ² |
| Wire isolation | PP (bk num, gnye) |
| C-track properties | 5 Mio. |
| Torsion | ± 15°/m |
| Jacket Color | black |
| Shore hardness outer jacket | 90 ± 5A |
| Material (jacket) | PUR (UL/CSA) |
| Outer Ø | approx. 11.3 mm |

| | |
|----------------------------|--------------|
| Bend radius (fixed) | 5 × outer Ø |
| Bend radius (moving) | 10 × outer Ø |
| Temperature range (fixed) | -40...+80 °C |
| Temperature range (mobile) | -20...+60 °C |

Commercial data

| | |
|------------------------|----------|
| customs tariff number | 85444290 |
| minimum order quantity | 1 |