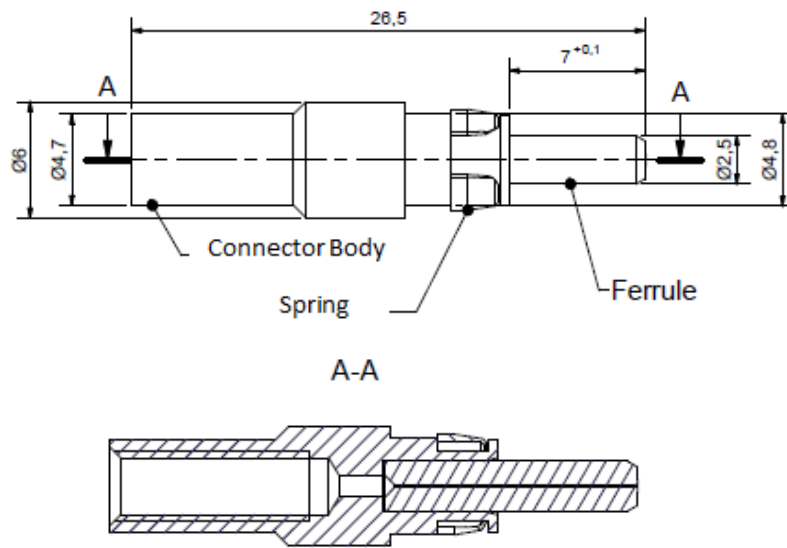


Fiber Optic Contact
FOR CONNECTOR ACC. DIN
EN 60603-2, TYPE M

98 IS 601-127



All dimensions are in mm, tolerances according to ISO 2768 m-H

Description

According to

DIN EN 60603-2 Type M

Multimode fiber optic contacts for use in mixed connectors. In combination with Rosenberger electrical contacts, hybrid connectors can be build up. The contacts are installed in the cavities by a snap-in mechanism. An extraction tool is required for removal.

Materials and plating

Connector parts

Connector Body
Ferrule

Material

Metal(ARCAP)
Ceramic

Fiber Type

Multimode

50/125µm
62.5/125µm

Cable Type

Ø 0.9mm buffered fiber(with adaptor)
Ø 2.9mm simplex cable

Optical data

Insertion loss

<0.40 dB

- Dependent on housing system -

Fiber Optic Contact FOR CONNECTOR ACC. DIN EN 60603-2, TYPE M

98 IS 601-127

Mechanical data

Mating cycles 500

- *Dependent on housing system* -

Environmental data

Temperature range -40°C to +85°C (Operation)
 -40°C to +85°C (Storage)
 2002/95/EC (RoHS) compliant

Packaging

Rosenberger Standard

While the information has been carefully compiled to the best of our knowledge, nothing is intended as representation or warranty on our part and no statement herein shall be construed as recommendation to infringe existing patents. In the effort to improve our products, we reserve the right to make changes judged to be necessary.

| Draft | Date | Approved | Date | Rev. | Engineering change number | Name | Date |
|--|------------|-----------|------------|------|--|---------|---------------|
| Y.Zhang | 2015-10-20 | S.Schmidt | 2015-10-20 | 01 | 15-0003 | Y.Zhang | 2015-10-20 |
| Rosenberger Hochfrequenztechnik GmbH & Co. KG P.O.Box 1260 D-84526 Tittmoning Germany www.rosenberger.de | | | | | Tel.: +49 8684 18-0 Fax: +49 8684 18-499 email: info@rosenberger.de | | Page 2 / 2 |