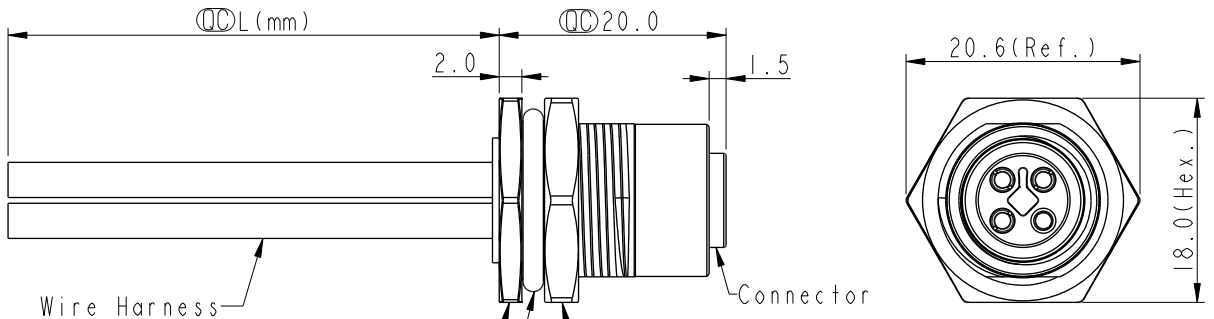
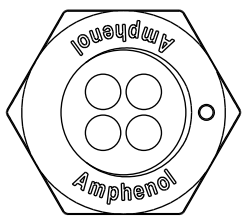
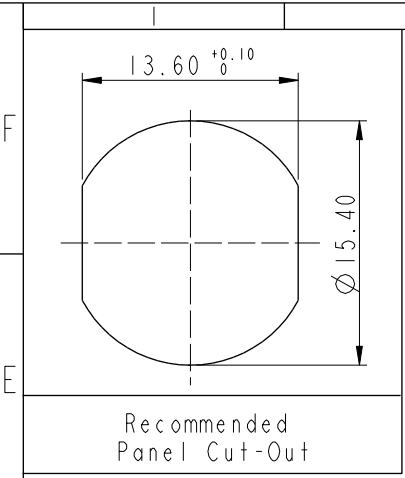
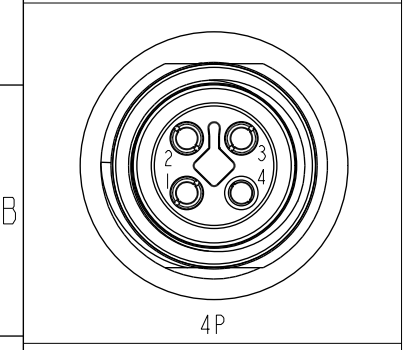


THIS DOCUMENT IS SUBJECT TO CHANGE WITHOUT NOTICE. IT IS CONFIDENTIAL AND A PROPERTY OF Amphenol LTW. DISCLOSURE TO THIRD PARTY HAS TO BE AUTHORIZED BY Amphenol LTW.

REV.	ECN NO.	DATE	SIGN	DESCRIPTION
C	C201549	2020/10/15	Vicky	△C X4
D	C210025	2021/01/20	Vicky	△D X2
E	C210593	2021/04/19	Ruru	△E X3



Pin #	Wire	Pin Out
4	Black	黑
3	Blue	藍
2	White	白
1	Brown	棕



Pin Assignments Front View

△B △C △E  
M12T-XXPFFS-SF8BXX  
XX: No. Of Pin

10: 100mm  
15: 150mm  
20: 200mm  
┆  
95: 950mm  
Cable Pitch Unit: 50mm  
  
A0: 1000mm  
┆  
A5: 1500mm  
Cable Pitch Unit: 100mm  
Wire Length(L): 150~1500mm

Note: △B △C △D △E

- \* RoHS Compliant
- \* ② Important dimension
- \* Waterproof rate: IPX8, unmated 1m/24h
- \* Connector
- Housing: Thermoplastic, Black
- Pin: Copper alloy, Gold plated
- O-Ring: Rubber, Green
- \* Shield: Metal
- \* Nut: Metal
- \* O-Ring: Rubber, Black
- \* Wire harness: UL1015, 16AWG
- \* For panel thickness max: 4.5mm
- \* O-Ring and nut are assembled on connectors
- \* Wire harness tolerance: 100mm: ±10mm  
100mm < L ≤ 300mm: ±15mm  
300mm < L ≤ 1000mm: ±20mm  
1000mm < L ≤ 1500mm: ±50mm

UNIT: mm	
TOLERANCE	
.X	±0.25
.XX	±0.1
.XXX	±0.05
ANGLES	±1°

TITLE N SEN, M12 T, SCREW RECEPTACLE, F, F, SOLDER △C △E			
SCALE 2:1	SIZE A4	SHEET 1 OF 1	
REV. E	WC-REV. A.5	②: Inspection item	

**Amphenol LTW**  
安費諾亮泰企業股份有限公司

ITEM NO	DRAWN BY Vicky	DATE 2019-09-19
DWG NO △C M12T-XXPFFS-SF8BXX	CHECKED BY Rita	DATE 2019-09-19
CUSTOMER ALTW	APPROVED BY Max	DATE 2019-09-19