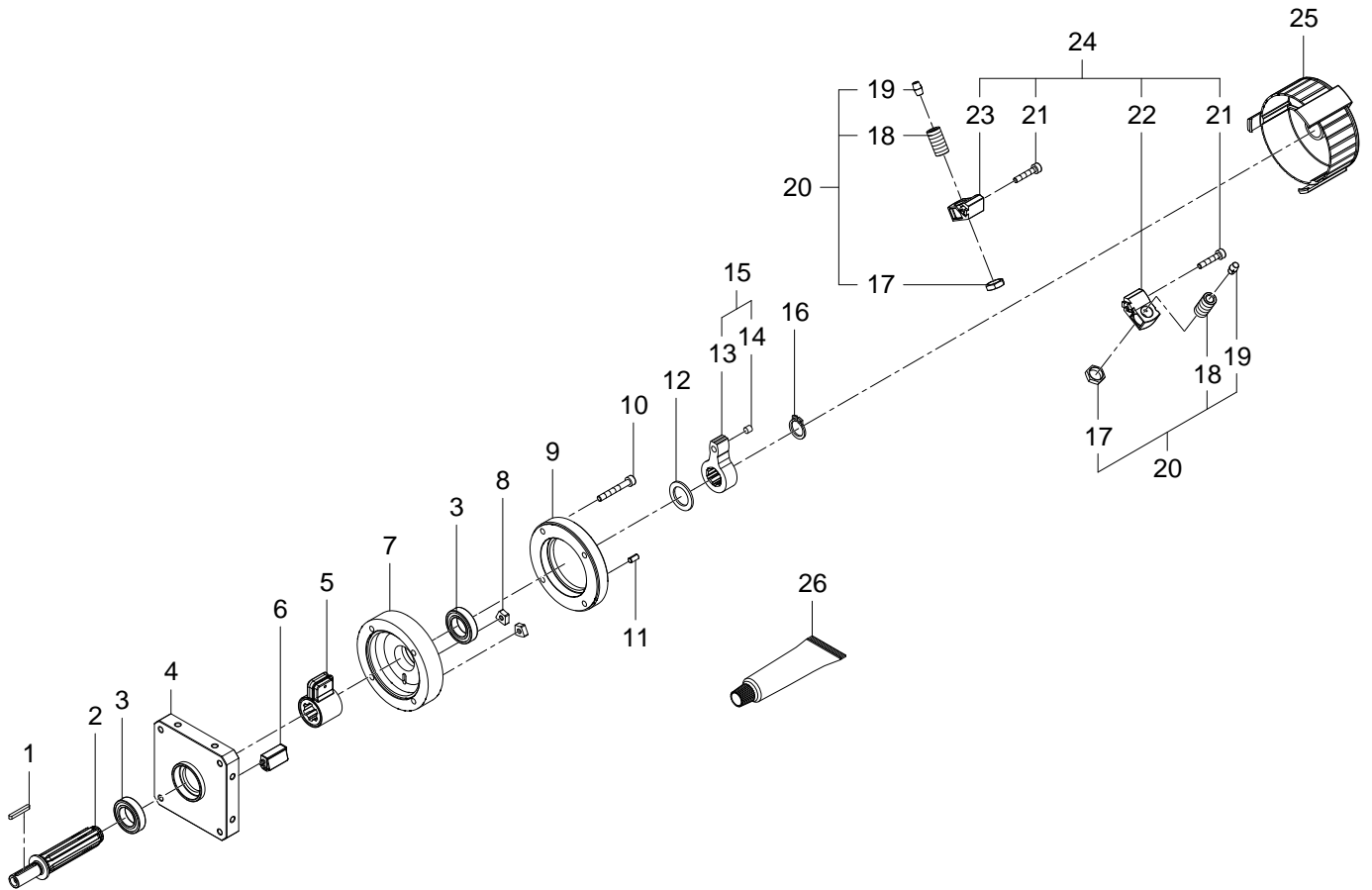


547574 DSM-16-270-P-A-B Semi-rotary drive - Series: All



## 547574 DSM-16-270-P-A-B Semi-rotary drive - Series: All

Pos.	Part no.	Type	Note	Qty.	Unit
A	384305	DSM- 16-270-P Set of wearing parts	Spare parts: 5, 6, 26 <a href="#">▶ Replacing the wearing parts</a>	1	PC
1	402723	A-3X3X18-1.0503+C Feather key DIN6885		1	PC
2	342605	DSM- 16- 270P Shaft		1	PC
3	226488	XF+D625-61802-2RS Deep groove ball bearing		2	PC
4		DSM- 16- 270P:LE Housing	Not available Grease using during assembly. See position 26	1	PC
5		DSM- 16-270-P Vane module	Not available separately, see position A	1	PC
6		DSM- 16-270-P Chamber seal	Not available separately, see position A	1	PC
7		DSM- 16- 270P:RI Housing	Not available Grease using during assembly. See position 26	1	PC
8	342621	DSM- 16- 270P Slot nut		2	PC
9	8028799	DSM-16-...-B Housing ring		1	PC
10	326601	ISO 4762-M3X30-8.8 Socket head screw	Tightening torque 1.2 Nm / 0.9 lbf ft	4	PC
11	208140	DIN 7346-4X5 Spring pin		1	PC
12	711320	DIN 988-S-15X21-A2 Support washer		1	PC
13		DSM-16-B Lever	Not available separately, see position 15	1	PC
14		3,6X5,4 Magnet	Not available separately, see position 15	1	PC
15	704074	DSM-16-B Lever module		1	PC
16	200619	DIN 471-12X1 Retaining ring		1	PC
17		M10X1 Hex nut	Not available separately, see position 20	2	PC
18		DSM-16/-25-P-B adjustment sleeve	Not available separately, see position 20	2	PC
19		5,9X7,1 Buffer element	Not available separately, see position 20	2	PC
20	550658	DSM-16/25-P-B Cushioning kit		1	PC
21	711197	ISO 4762-M4X18-12.9 Socket head screw		2	PC
22		DSM-16-...-B:LE Stop	Not available separately, see position 24	1	PC
23		DSM-16-...-B:RI Stop	Not available separately, see position 24	1	PC
24	547901	DSM-16-B Cushioning mount		1	PC
25	549195	AKM-16 Cover cap		1	PC
26	684474	LUB-KC1 SILIKONFREI 20ML Lubricating grease		1	PC