



ENGLISH

Datasheet

Stock No: 1241074

RS Pro 35 x 77mm Process Indicator, DC Linear



At a glance

- 35x77mm size
- 4 digits display
- DC linear input (0-20mA, 4-20mA, 0-1V, 0-10V)
- Display scale can be adjusted between -1999 and 4000
- Decimal point adjustment - zero to three decimal places
- Process unit can be displayed

Overview

The RS Pro Process Indicator has linear mA and V input, rescaled for accurate display of process data.

With selectable input types, easy-to-adjust sampling time and various options for display, the indicator can be set up to meet a user's specific needs.

Key Features

- User calibration
- Selectable sampling time
- Maximum and minimum measured value stored
- Maximum or minimum display modes
- High and low alarm limits
- CE marked



ENGLISH

Specifications:

Inputs

Input Type	Measurement Range		Measurement Accuracy	Input Impedance
	Min.	Max.		
0-1V DC voltage	0V	1.1V	±0,5% (of full scale)	Approx. 100kΩ
0-10V DC voltage	0V	12V	±0,5% (of full scale)	Approx. 100kΩ
0-20mA DC current	0mA	25mA	±0,5% (of full scale)	Approx. 10Ω
4-20mA DC current	0mA	25mA	±0,5% (of full scale)	Approx. 10Ω



While the current measuring mode, input impedance becomes 5Ω. Therefore, in current mode, the device must not be connected any voltage input. Otherwise, the device is broken. While the device is running in the voltage measurement mode and if required to change to current measurement mode, then firstly the voltage inputs must be removed and after that, input type must be changed to one of the current measurement modes.

Environmental Conditions

Ambient / Storage Temperature	0 ... +50°C/-25 ... +70°C (with no icing).
Max. Relative Humidity	80% Relative humidity for temperatures up to 31°C, decreasing linearly to 50% at 40°C.
Protection Class	According to EN60529; Front panel : IP65 Rear Panel : IP20
Height	Max. 2000m

Electrical Characteristics

Supply Voltage	230V AC +%10 -%20 or 24V AC/DC ±%10 50/60Hz
Power Consumption	Max. 7VA.
Wiring	2.5mm ² screw-terminal connections
Date Retention	EEPROM (Min. 10 years).
EMC	EN 61326-1: 2013
Safety Requirements	EN 61010-1: 2010 (Pollution degree 2, overvoltage category II, measurement category I). ⚠ E12041 cannot be used if measurement category II, III or IV is required.

Housing

Housing Type	Suitable for flush-panel mounting according to DIN 43 700.
Dimensions	H35xW77xD71mm
Weight	Approx. 350g (after packaging)
Enclosure Material	Self extinguishing plastics.



ENGLISH

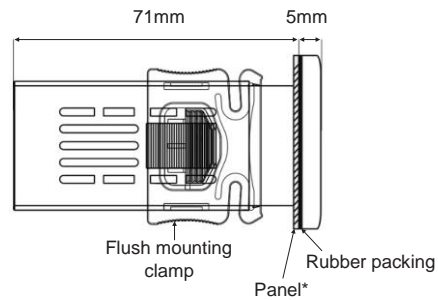
Dimensions:

Front Fascia 35 x 77mm.

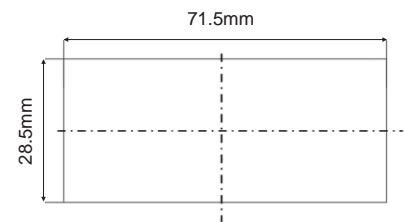
Front



Depth



Panel cut-out



**Panel thickness should be maximum 7mm.*

Ordering

Stock Number

1241073

1241074

Supply Voltage

230V ac

24V ac/dc