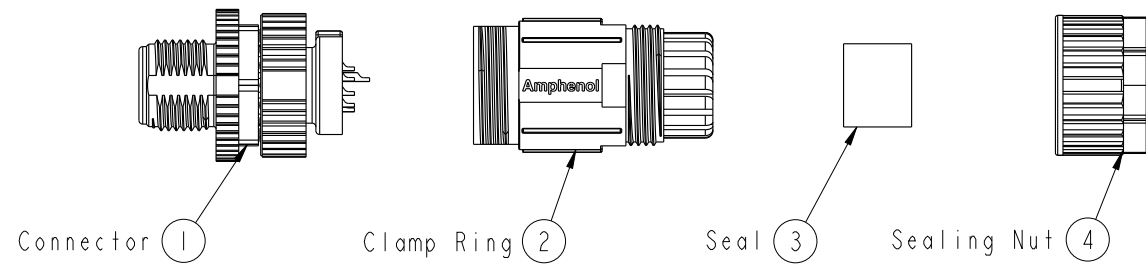


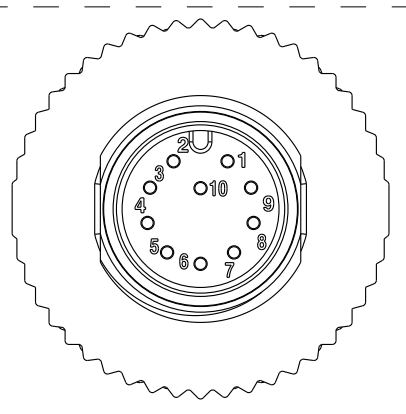
THIS DOCUMENT IS SUBJECT TO CHANGE WITHOUT NOTICE. IT IS CONFIDENTIAL AND A PROPERTY OF Amphenol LTW. DISCLOSURE TO THIRD PARTY HAS TO BE AUTHORIZED BY Amphenol LTW.

REV.	ECN NO.	DATE	SIGN	DESCRIPTION

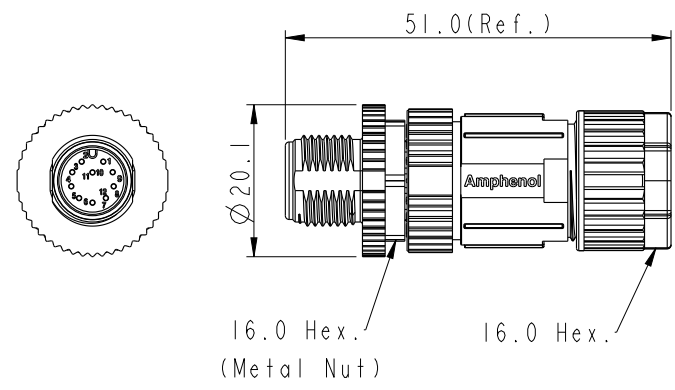
ALTW
CONFIDENTIAL
 2015-05-04
R&D DEPT.



ALTW
 DCC. DEPT.
 CONFIDENTIAL
 2015.05.12
ISSUED



Pin Assignments
Front View



- Note:
- * ⌀ Important Dimension To Check.
 - * Waterproof Rate: IP67
 - * Housing: Nylon, Black.
 - * Pin: Copper Alloy, Gold Plated.
 - * Nut: PBT+PC, Black.
 - * Male Nut: Zinc Alloy, Nickel Plated.
 - * O-Ring: Silicon, Grey.
 - * Clamp Ring: Nylon, Black.
 - * Sealing Nut: PBT+PC, Black.
 - * Seal: Silicon, Grey.
 - * Seal For Cable OD: $\phi 4.0\text{mm} \sim \phi 8.0\text{mm}$.
 - * Applicable Wire gauge (Stranded wire cross section) 26AWG ~24AWG
 - * Mating Recommended tightening torque: 3~4 kgf.cm / 0.29~0.39 N.m
 - * Sealing-Nut Recommended tightening torque: 4~6 kgf.cm / 0.39~0.59 N.m
 - * Detailed applicable wire specifications may vary depending on the actual wire construction.

UNIT:mm		
TOLERANCE	.X	± 0.25
	.XX	± 0.1
	.XXX	± 0.05
	ANGLES	$\pm 1^\circ$

TITLE M12A Unshielded Assy 10Pin M Conn. M Pin			
SCALE 1:1	SIZE A4	SHEET 1 OF 1	
REV. A	WC-REV. A.1	⌀ : Inspection item	

Amphenol LTW
 安費諾亮泰企業股份有限公司

ITEM NO M12A-10BMMMA-SL7001	DRAWN BY Yulong_wang	DATE 2015-05-04
DWG NO M12A-10BMMMA-SL7001	CHECKED BY Lu Di	DATE 2015-05-04
CUSTOMER ALTW	APPROVED BY Jerry	DATE 2015-05-04

F
E
D
C
B
A