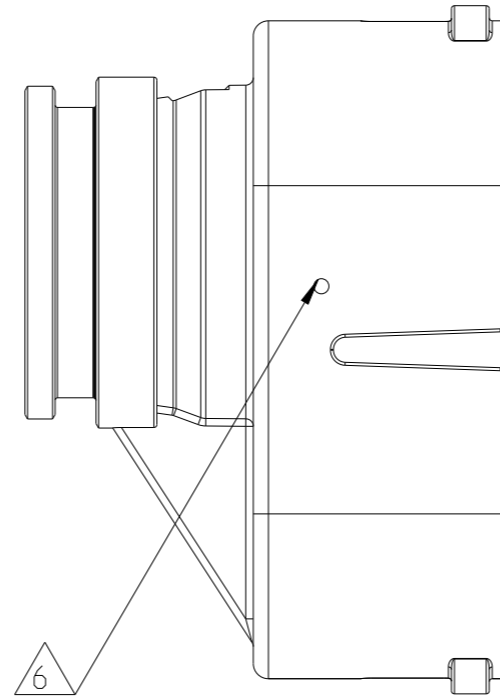
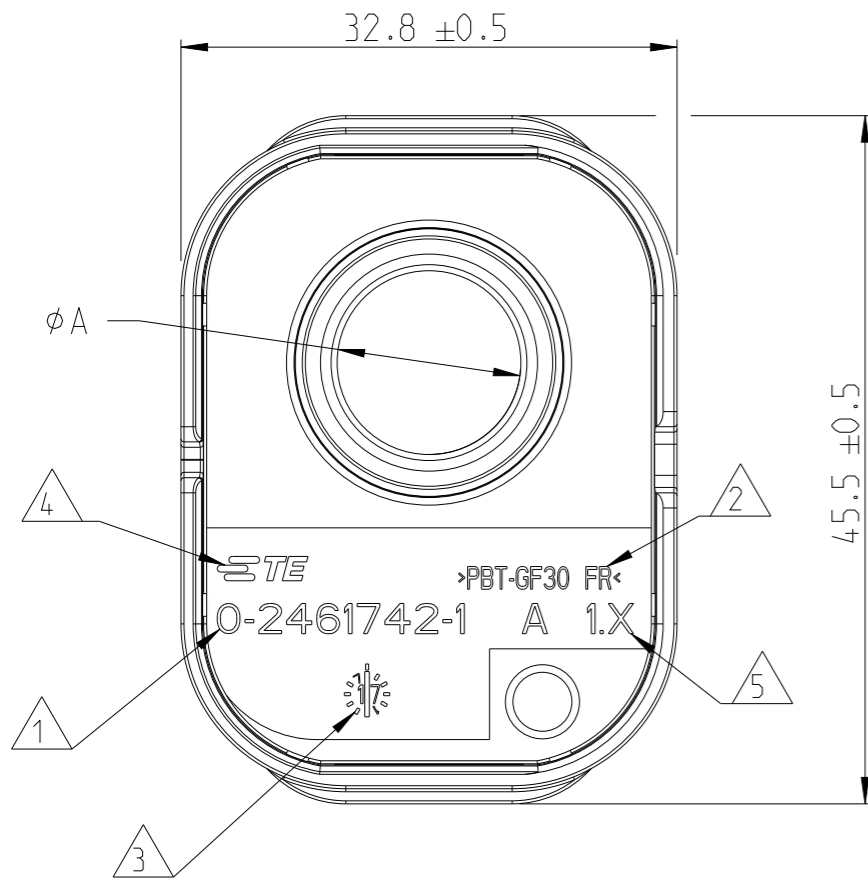
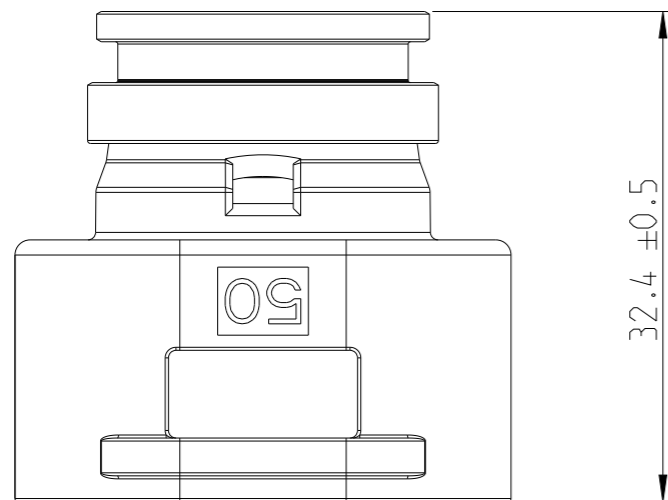


P	LTR	DESCRIPTION	DATE	DWN	APVD
	A	NEW DRAWING	14DEC2023	MF	FE
	A1	ECN-25-343823: NEW VARIANTS	15AUG2025	US	PW



NOTES  
Bemerkungen

- 1 TE-CONNECTIVITY ORDER-NUMBER  
TE-Connectivity Bestellnummer
- 2 MATERIAL MARKING  
Materialkennzeichnung
- 3 PRODUCTION DATE  
Produktionsdatum
- 4 TE-LOGO  
TE-Logo
- 5 CONTACT CAVITY NUMBERING  
Kammernummerierung
- 6 INJECTION POINT  
Anspritzpunkt
- 7 MALFUNCTION CAUSED BY LACQUER IS NOT COVERED BY TE WARRANTY.  
Funktionsbeeinträchtigung durch Lackieren liegt nicht im Einfluss und Gewährleistungsumfang von TE.
- 8 BULK PACKAGING IN CORRUGATED SHIPPING BOX  
Schüttgut im Versandkarton



A1	11.3 ±0.3	2461742-9	A	COVERCAP PCON21 35mm <sup>2</sup> Abdeckkappe.PCON21 35mm <sup>2</sup>	7.42	12.24	PBT-GF30 FR	GREEN Grün	7
A1	13.3 ±0.3	2461742-8	A	COVERCAP PCON21 50mm <sup>2</sup> Abdeckkappe.PCON21 50mm <sup>2</sup>	6.97	11.5	PBT-GF30 FR	YELLOW Gelb	6
A1	14.8 ±0.3	2461742-7	A	COVERCAP PCON21 70mm <sup>2</sup> Abdeckkappe.PCON21 70mm <sup>2</sup>	7.97	13.15	PBT-GF30 FR	WHITE Weiß	5
A1	17 ±0.3	2461742-6	A	COVERCAP PCON21 95mm <sup>2</sup> Abdeckkappe.PCON21 95mm <sup>2</sup>	7.35	12.13	PBT-GF30 FR	VIOLET Violett	4
	16.90 ±0.3	2461742-3	A	COVERCAP PCON21 95mm <sup>2</sup> Abdeckkappe.PCON21 95mm <sup>2</sup>	7.28	12.01	PBT-GF30 FR	DUST GREY Staubgrau	3
	14.35 ±0.3	2461742-2	A	COVERCAP PCON21 70mm <sup>2</sup> Abdeckkappe.PCON21 70mm <sup>2</sup>	8	13.2	PBT-GF30 FR	LIGHT BLUE Lichtblau	2
	12.15 ±0.3	2461742-1	A	COVERCAP PCON21 50mm <sup>2</sup> Abdeckkappe.PCON21 50mm <sup>2</sup>	7.15	11.79	PBT-GF30 FR	BLACK schwarz	1
A	PART NO.	REV.	DESCRIPTION	VOLUME [cm <sup>3</sup> ]	WEIGHT [g]	MATERIAL	COLOUR	ITEM NO.	

PARTS LIST

THIS DRAWING IS A CONTROLLED DOCUMENT.		DWN M. Floesser 14DEC2023	<p>TE Connectivity</p>	NAME RECEPTACLE CONNECTOR COVER PCON21 Buchsenkontakt Stecker Abdeckkappe,PCON21														
DIMENSIONS: mm		CHK P. Wrobel 14DEC2023		PRODUCT SPEC 108-94935														
TOLERANCES UNLESS OTHERWISE SPECIFIED:		APVD F. Eltrop 15DEC2023		APPLICATION SPEC 114-97587														
<table border="1"> <tr><td>0 PLC</td><td>±</td></tr> <tr><td>1 PLC</td><td>±0.5</td></tr> <tr><td>2 PLC</td><td>±0.13</td></tr> <tr><td>3 PLC</td><td>±0.013</td></tr> <tr><td>4 PLC</td><td>±0.0001</td></tr> <tr><td>ANGLES</td><td>±</td></tr> </table>		0 PLC		±	1 PLC	±0.5	2 PLC	±0.13	3 PLC	±0.013	4 PLC	±0.0001	ANGLES	±	WEIGHT SEE TABLE A3	SIZE A3	CAGE CODE 000779	DRAWING NO. C=2461742
0 PLC	±																	
1 PLC	±0.5																	
2 PLC	±0.13																	
3 PLC	±0.013																	
4 PLC	±0.0001																	
ANGLES	±																	
MATERIAL SEE TABLE siehe Tabelle		FINISH -	CUSTOMER DRAWING		SCALE 2:1	SHEET 1 OF 1	REV A1											

DIMENSION AND TOLERANCES ACCORDING TO:  
Bemaßungen und Toleranzen gemäß:

DIN ISO 20457  
DIN EN ISO 8015 (AD) - DIN EN ISO 291  
DIN EN ISO 14405-1/-2/-3