

M12 PCB Connector, Angled



Features

- For enclosure, panel and PCB applications
- UL94V-0 flame retardant
- RoHS compliant

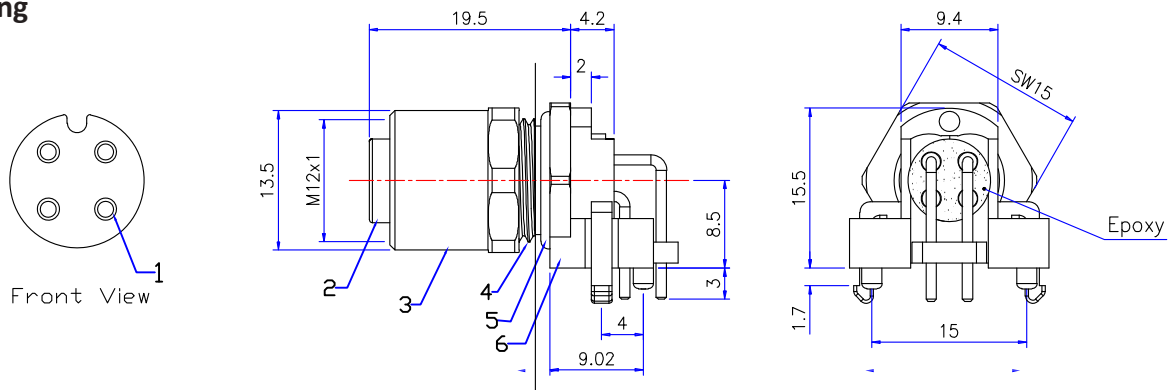


Specification

Protection Rating	IP67
Wire Connection Mode	Soldering
Operating Temperature Min.	-40 °C
Operating Temperature Max.	80 °C
Connector Size	M12
Gender	Socket

Article Nr.	Number of Pins	Rated Voltage	Rated Current	Withstanding Voltage
RND 205-01188	4	250 V	4 A	1.5 kVAC / 1 min
RND 205-01189	5	60 V	4 A	1.12 kVAC / 1 min

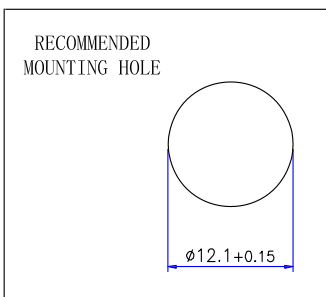
Drawing



Material Specification

1 - Contacts	Brass, Gold Finish
2 - Insulator	PA66, Black
3 - Nut M12 x 1	Brass, Nickel Finish
4 - Body	Brass, Nickel Finish
5 - O-Ring	Rubber
6 - Bracket	PA66, Black

Pin Out



Pin Assignment Front View		P. C. B	
<p>4Pin</p>	<p>5Pin</p>	<p>4Pin</p>	<p>5Pin</p>