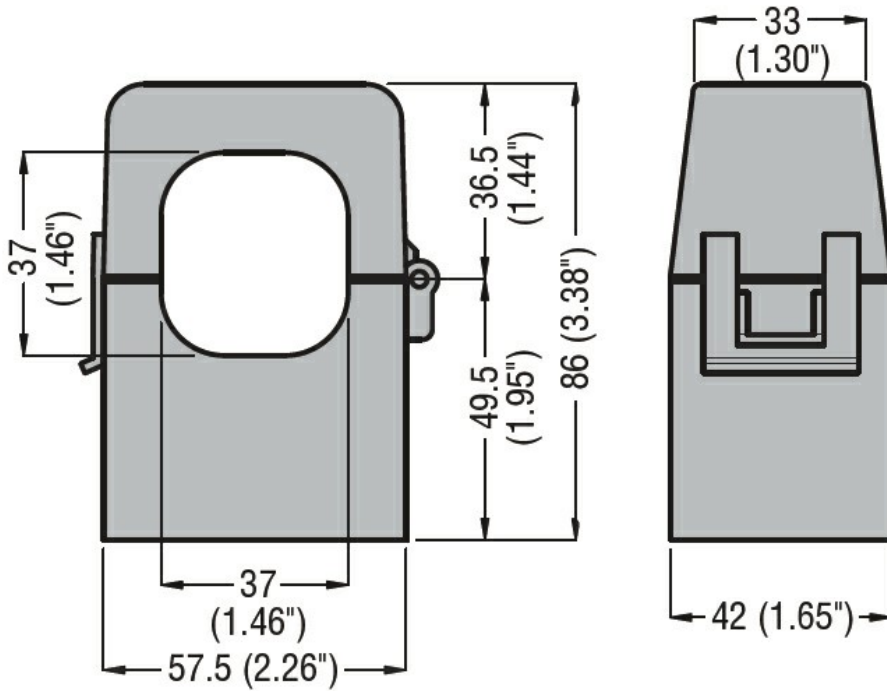




Current inputs			
Primary current I _{pn} (/5)	A		600
Operational frequency	min	Hz	50
	max	Hz	60
Secondary output current	A		5
Overload withstand I _{pn}	%		120
Burden	cl. 0.5	VA	0.5
	cl. 1	VA	1.5
Insulations			
Rated insulation voltage U _i IEC/EN	V		720
IEC rated short-time thermal current I _{th}	I _{th} for s		40...60
IEC rated dynamic current I _{dyn}	I _{th} for s		2.5
Insulation dry type			Class E
Mechanical features			
Terminals type			2m pre-wired
Weight	g		380
Ambient conditions			
Temperature	Operating temperature		
	min	°C	-25
	max	°C	+50
	Storage temperature		
	min	°C	-40
	max	°C	+80
Relative humidity	%		90
Dimensions			



Certifications and compliance

Certifications

IEC/EN/BS 61869-1

IEC/EN/BS 61869-2

Compliance

EAC

ETIM classification

EC000066 - Power contactor, AC switching