



Brand of NTN corporation

Technical data

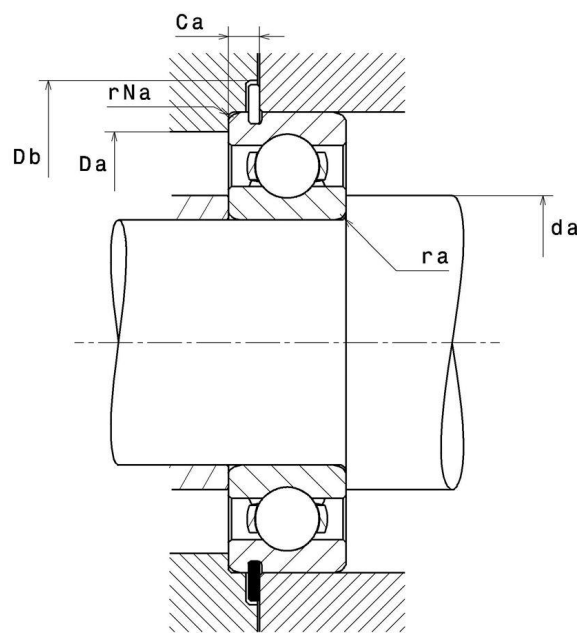
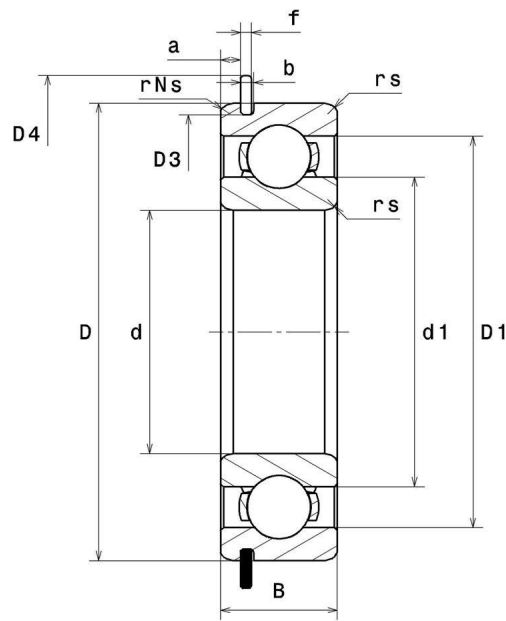
6310NR

Single row deep groove ball bearings



Deep groove ball bearing, radial contact, pressed steel cage, snap ring & groove on outer diameter, open

VISUAL (S)



NTN Europe

1 rue des Usines · BP 2017 · 74010 Annecy Cedex · France · Tel. +33 (0)4 50 65 30 00
S.A. au capital de 322 639 919 € · RCS ANNECY B 325 821 072 · Id. Fiscale : FR 48 325 821 072
SIRET 325 821 072 00015 · Code APE 2815 Z · Code NACE 28.15

6310NR

Single row deep groove ball bearings

PRODUCT DEFINITION

Brand	SNR
d - Internal diameter	50 mm
D - External diameter	110 mm
B - Bearing/Inner ring width	27 mm
d1 - External diameter inner ring	64,7 mm
D1 - Inner diameter outer ring	98 mm
a min - Min position Groove	3,07 mm
a max - Max position groove	3,28 mm
Ca min - Mini segment position	5,43 mm
Ca max - Max segment position	5,74 mm
rs - Min fillet radius	2 mm
rNs - Min fillet radius	0,5 mm
D3 - Max bottom groove diameter	106,81 mm
b min - Min groove width	2,7 mm
b max - Max groove width	3 mm
r0 max - Max bottom groove radius	0,6 mm
D4 max - Max outer diameter of assembled stop ring	116,6 mm
f - Stop ring thickness	2,41 mm
Snap ring reference	R110
Radial clearance class	CN
Mass	1,07 kg

PRODUCT PERFORMANCE

C - Dynamic load	65400000 mN
-------------------------	-------------



NTN Europe

1 rue des Usines · BP 2017 · 74010 Annecy Cedex · France · Tel. +33 (0)4 50 65 30 00
S.A. au capital de 322 639 919 € · RCS ANNECY B 325 821 072 · Id. Fiscale : FR 48 325 821 072
SIRET 325 821 072 00015 · Code APE 2815 Z · Code NACE 28.15

6310NR

Single row deep groove ball bearings

PRODUCT PERFORMANCE

C0 - Static load	38300000 mN
Cu - Fatigue limit load	1740000 mN
f0 - Coefficient	13.2
N ref - Reference thermal speed	46200 °/s
N lim - Mechanical Limit Speed	60000 °/s
Tmin - Min operating temperature	233,15 °K
Tmax - Max operating temperature	393,15 °K

BEARING FREQUENCIES

BPFO - Over rolling frequency on outer ring (60 rpm)	3.071 Hz
BPFI - Over rolling frequency on inner (60 rpm)	4.929 Hz
BSF - Over rolling frequency on rolling element (60 rpm)	4.072 Hz
BRF - Rotational frequency - rolling element (60 rpm)	2.036 Hz
FTF - Rotational frequency - cage (60 rpm)	0.384 Hz

ABUTMENT

da min - Min shoulder diameter IR	59 mm
Da max - Max shoulder diameter OR	101 mm
ra max - Max shaft & housing fillet radius	2 mm
rNa max - Max fillet radius on segment side	0,5 mm
Db min - Min stop ring position diameter	118 mm



NTN Europe

1 rue des Usines · BP 2017 · 74010 Annecy Cedex · France · Tel. +33 (0)4 50 65 30 00
S.A. au capital de 322 639 919 € · RCS ANNECY B 325 821 072 · Id. Fiscale : FR 48 325 821 072
SIRET 325 821 072 00015 · Code APE 2815 Z · Code NACE 28.15

INDUSTRY CALCUL FACTORS

Equivalent dynamic radial load

$$P = X \cdot Fr + Y \cdot Fa$$

$\frac{f_0 F_a}{C_0}$	e	Fa / Fr ≤ e		Fa / Fr > e	
		X	Y	X	Y
0.172	0.19	1	0	0.56	2.3
0.345	0.22				1.99
0.689	0.26				1.71
1.03	0.28				1.55
1.38	0.3				1.45
2.07	0.34				1.31
3.45	0.38				1.15
5.17	0.42				1.04
6.89	0.44				1

Equivalent static radial load

$$P_0 = X_0 \cdot Fr + Y_0 \cdot Fa$$

X_0	Y_0
0.6	0.5

For single or DT bearing arrangement :

If $P_0 < Fr$, then use $P_0 = Fr$

