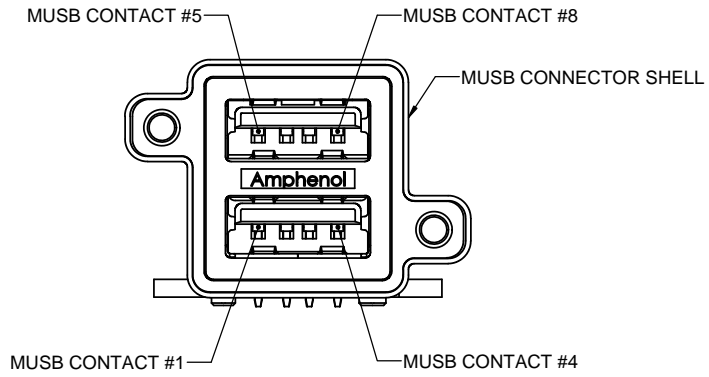




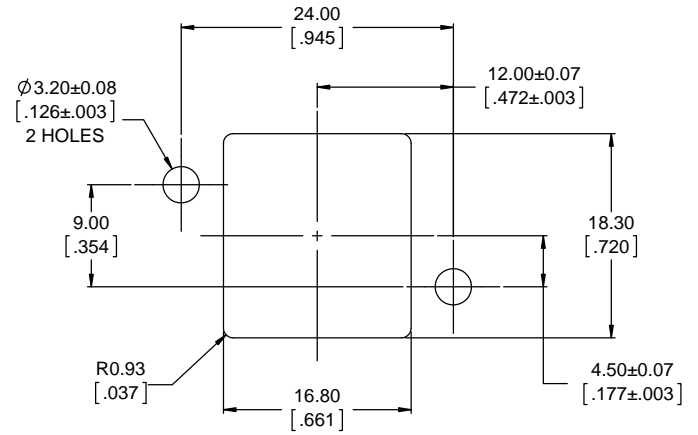
REVISIONS			
REV	DESCRIPTION, ECN, EAR NO.	DATE	APP'D
C	PRODUCT DRAWING (EAR 14309)	SEP09/14	K.L.



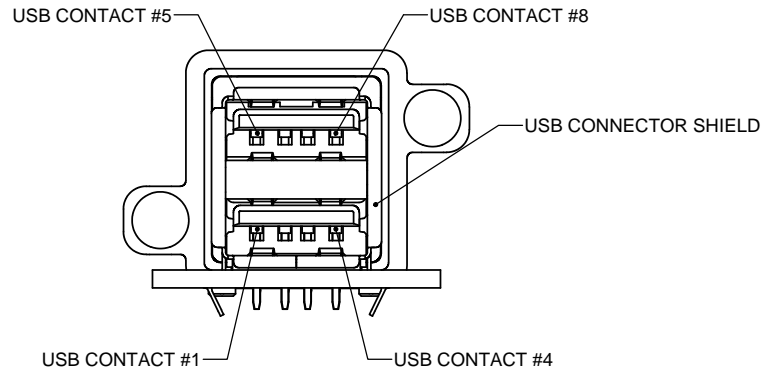
**MUSB CONTACT ASSIGNMENT**

**MUSB CABLE TO USB CONNECTION CHART**

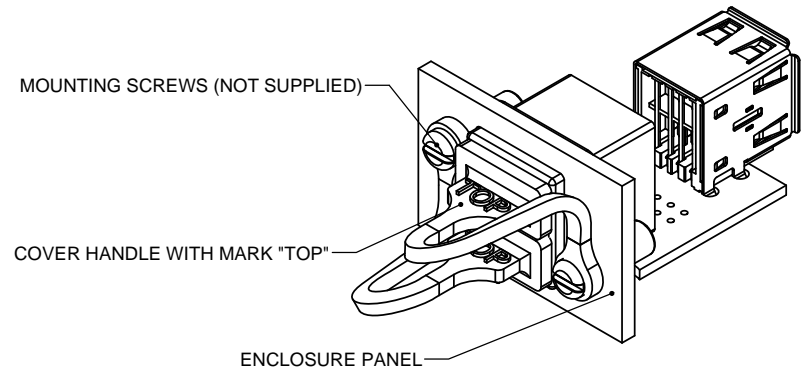
MUSB CONNECTOR CONTACTS	MATCHING USB RECEPTACLE
1	1
2	2
3	3
4	4
5	5
6	6
7	7
8	8
SHELL / GROUND	SHIELD / GROUND



**RECOMMENDED PANEL CUTOUT  
OUTSIDE VIEW OF PANEL**



**USB CONTACT ASSIGNMENT**



**DUST COVER APPLICATION VIEW**



UNLESS SPECIFIED OTHERWISE	DRAWN	S.SEMENOV	MAR01/07
PRIMARY UNITS MILLIMETERS	CHECKED		
SECONDARY INCHES	M.E. APP'D		
REFERENCE IN PARENTHESES	Q.A. APP'D		
GENERAL TOLERANCES	DWG APPR.	A.GREEN	MAR01/07
1 DECIMAL PLACE	ENG. REL. NO.		
2 DECIMAL PLACES ±0.15	REF.		
3 DECIMAL PLACES	THIRD ANGLE PROJECTION		
ANGULAR DEGREES	DO NOT SCALE DRAWING		

**Amphenol Canada Corp.**  
www.amphenolcanada.com

**MUSB SERIES USB RECEPTACLE, SERIES A STACKED, ON PCB WITH RIGHT ANGLE USB RECEPTACLE, THREAD & DUST COVER OPTIONS, RoHS COMPLIANT**

DWG. NO. **P-MUSB-C311-XX** REV **C**

CODE ID NO. 03554 DWG SIZE: X SCALE: NTS SHEET 2 OF 2