

### ■ Cable loading information

The table below gives safe working loads (SWL) in N/m. SWLs are acceptable up to 40 °C for spans of 1.5 m and 60 °C for spans of 1 m, on the European test standard

Profile widths (mm)	Profile depths (mm)		
	Depth 50	Depth 75	Depth 100
75	7	12	-
100	10	16	-
150	15.5	25	-
200	19.5	35	42
300	27	48	66
400 <sup>(1)</sup>	41	70	90
500 <sup>(1)</sup>	-	-	113
600 <sup>(1)</sup>	-	-	135.5

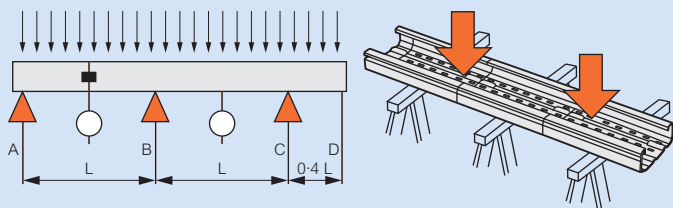
(1) Reinforcement across the joint using a tele rail marked during tests

### ■ Safe working load test

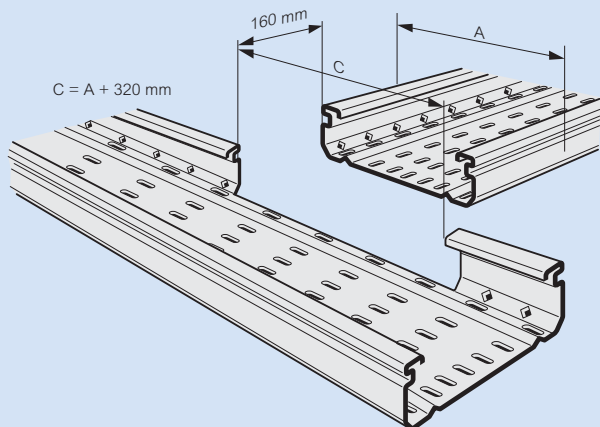
The test for cable loading conforms to BS EN 61537 test type 1

The following conditions apply to the test as shown in diagram below

1. The cable tray is supported at 1.5 m spans and not fixed to supports during tests
2. The coupler joint is at the centre of support A – B
3. The fixing torque for coupler bolts is 2.5 Nm
4. The test load is a uniformed distributed load (UDL) over the test area of 2 spans and cantilever
5. The longitudinal deflection on a span is limited to span length divided by 100
6. The transversal deflection reached in the centre of the cable tray bed is limited to bed width divided by 20



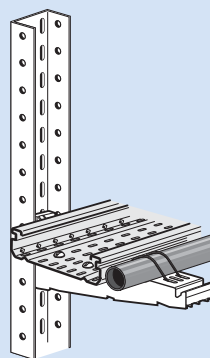
### ■ Tee kits



A x B (mm)		A x B (mm)		A x B (mm)	
75 x 50 75 x 75	6378 70	200 x 50 200 x 75	6378 73	400 x 50 400 x 75	6378 75
100 x 50 100 x 75	6378 71	200 x 100	6379 70	400 x 100	6379 72
150 x 50 150 x 75	6378 72	300 x 50 300 x 75	6378 74	500 x 100	6379 73
		300 x 100	6379 71	600 x 100	6379 74

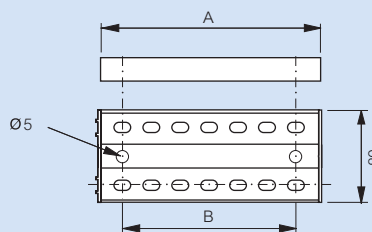
### ■ Cantilever arms

PVC		Steel - plastic coated	
A x B (mm)		A x B (mm)	
75 x 50 75 x 75 100 x 50 100 x 75	6377 66	300 x 50 300 x 75 300 x 100	6379 78
150 x 50 150 x 75	6377 67	400 x 50 400 x 75 400 x 100	6379 79
200 x 50 200 x 75 200 x 100	6377 68	500 x 100	6379 80
300 x 50 300 x 75 300 x 100	6377 69	600 x 100	6379 81



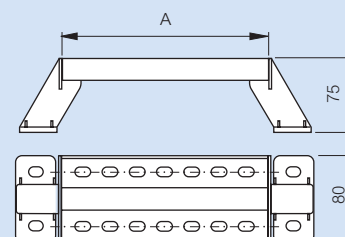
Cat.Nos	Load (daN)
6377 66	25
6377 67	40
6377 68	65
6377 69	75
6379 78	100
6379 79	135
6379 80	170
6379 81	205

### ■ Trapeze hangers



Cat.Nos	A (mm)	B (mm)	Load (daN)
6377 71	147	115	25
6377 72	197	165	40
6377 73	247	215	65
6377 74	347	315	100
6377 75	447	415	135
6379 76	547	515	170
6379 77	647	615	205

### ■ Stand-off brackets



Cat.Nos	A (mm)
6377 81	100
6377 82	150
6377 83	200
6377 84	300
6377 85	400
6379 83	500
6379 84	600