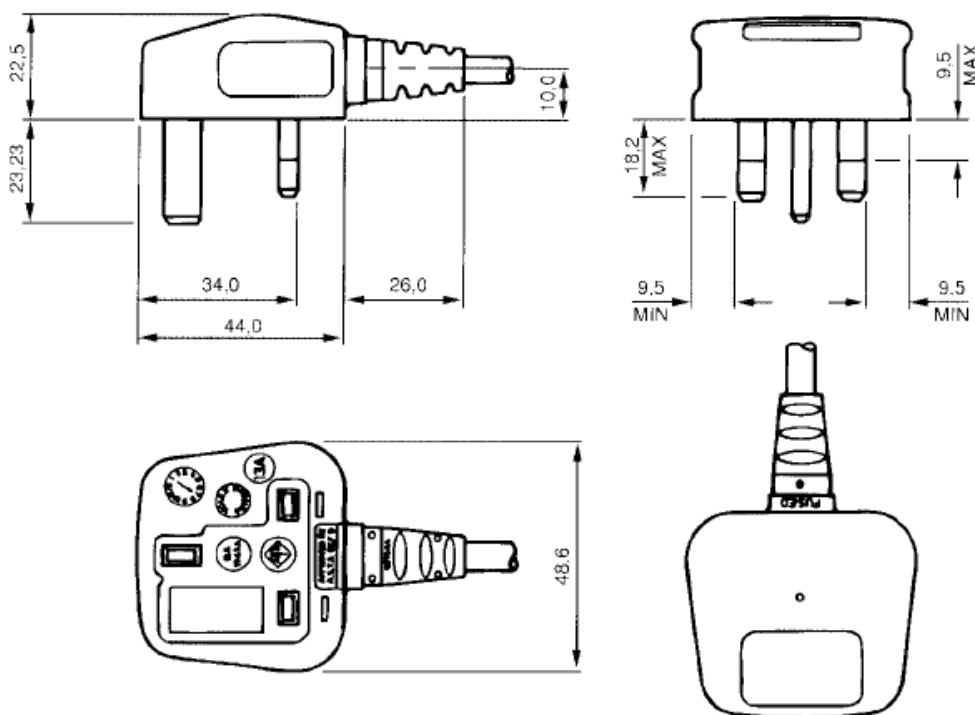


Datasheet

RS 2m White Power Cable Assembly BS 1363 Plug 10 A to C13, 250 V

RS Stock number [262-1182](#)



Description:

The integrally moulded 13 Amp mains plug is available with a wide range of supply cords which are pre-prepared for fitting to electrical appliances.

Featuring double insulation the plug has all wire connections crimped on specialised semi-automatic equipment to ensure consistent safety and reliability.

The plug is supplied with solid brass semi-insulated pins as illustrated. Each plug undergoes seven electrical tests to ensure correct continuity, popularity and electrical safety.

The 13 Amp moulded plugs have been independently tested and approved by ASTA Certification Services to BS 1363A.



Specification

Specification: BS1363A

Operating Voltage : 250V a.c

Current Rating: 12A

Insulation Resistance: >10M ohms

Cable Retention: 0.5mm² – 1.00mm²>30N

1.25mm²-1.5mm²>60N

Outside Body: P.V.C

Terminals: Brass (solid)

Fuse: To suit appliance rating

Test Specification

Each plug is 100% tested to the following:

Earth Continuity : 25A

Polarity

Insulation Resistance L-N: 500V. d.c

Electrical Strength L-N: 2.4kv 50Hz

Insulation Resistance L-N-E: 500V d.c

Electrical Strength L-N-E : 2.4KV. 50Hz

Safety Test: 4.4KV 50Hz