

## MICO ELECTRONIC AUXILIARY CIRCUIT, 4 CHANNELS

IN: 24VDC OUT: 24V/1-2-3-4ADC

MICO 4.4

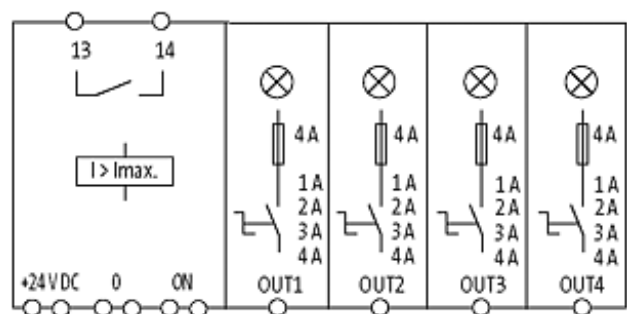
4 channels

Current adjustment 1, 2, 3, 4 A

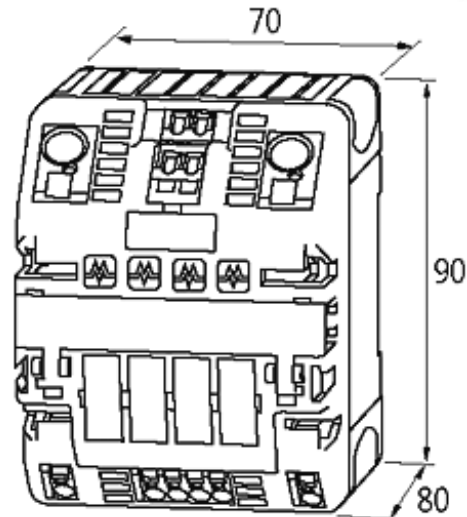
Fire protection (EN 60950-1) Operating voltage protection (EN 61131-2)

### [Link to Product](#)

#### Illustration



stay connected

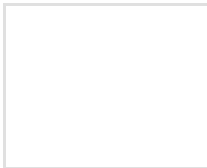


Product may differ from Image

### Approvals



**Class 2**  
UL1310/NEC 725



### General data

Connection	Spring clamp terminals
Input terminals	2 × 16 mm <sup>2</sup>
Output terminals	per output 1 × 4 mm <sup>2</sup>
Alarm terminals	2.5 mm <sup>2</sup>
Bridging concept	two sides, with spring clamp terminals or bridge set (max. 40 A)
Mounting method	DIN-rail mountable TH35 (EN 60715)
Temperature range	0...+55 °C (storage temperature -40...+80 °C)

### Technical Data

Operating voltage	24 V DC (18...30 V DC)
Current adjustment	1 A, 2 A, 3 A, 4 A, by countersunk rotary switch, sealed
Inrush capacity	max. 20 mF (per channel)
Group alarm output	potential free 30 V AC/DC, 100 mA
Remote start (ON)	10...30 V DC
Impulse length	min. 20 ms

### Commercial data

country of origin	CZ
customs tariff number	85363010
EAN	4048879064866

The information in this brochure has been compiled with the utmost care.

Liability for the correctness completeness and topicality of the information is restricted to gross negligence. Version: 08/16

---

eClass	27141901
minimum order quantity	1

---