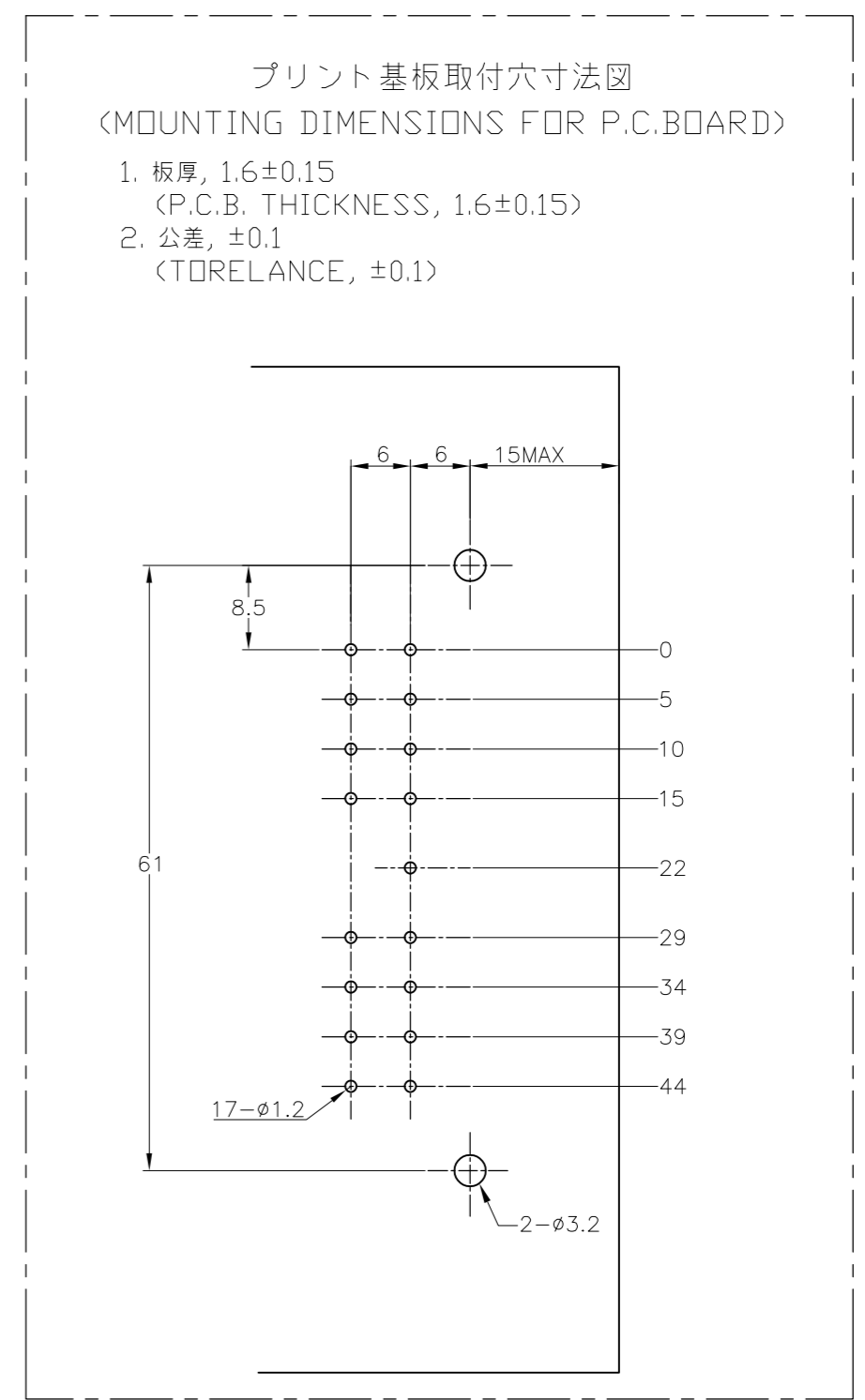
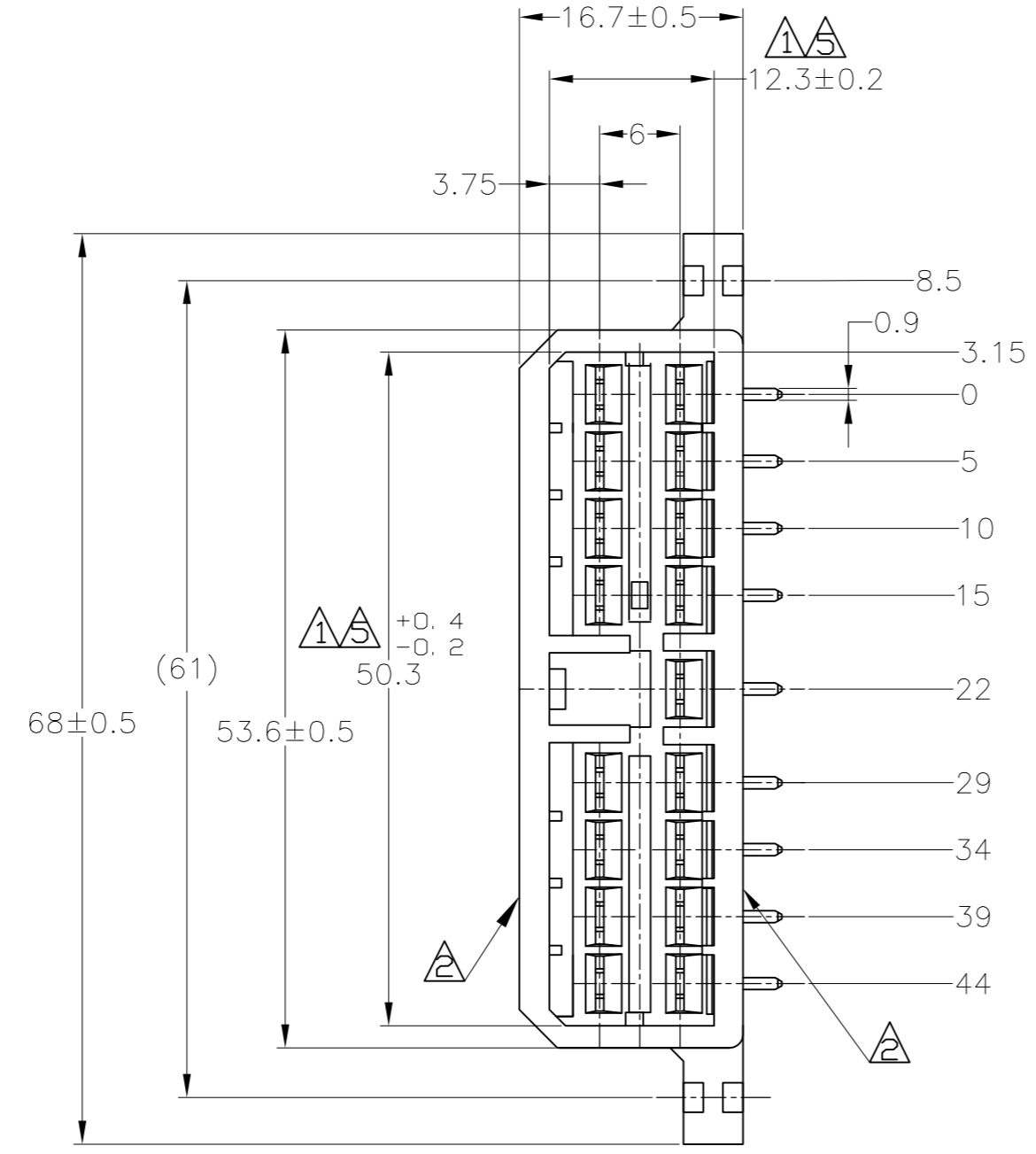
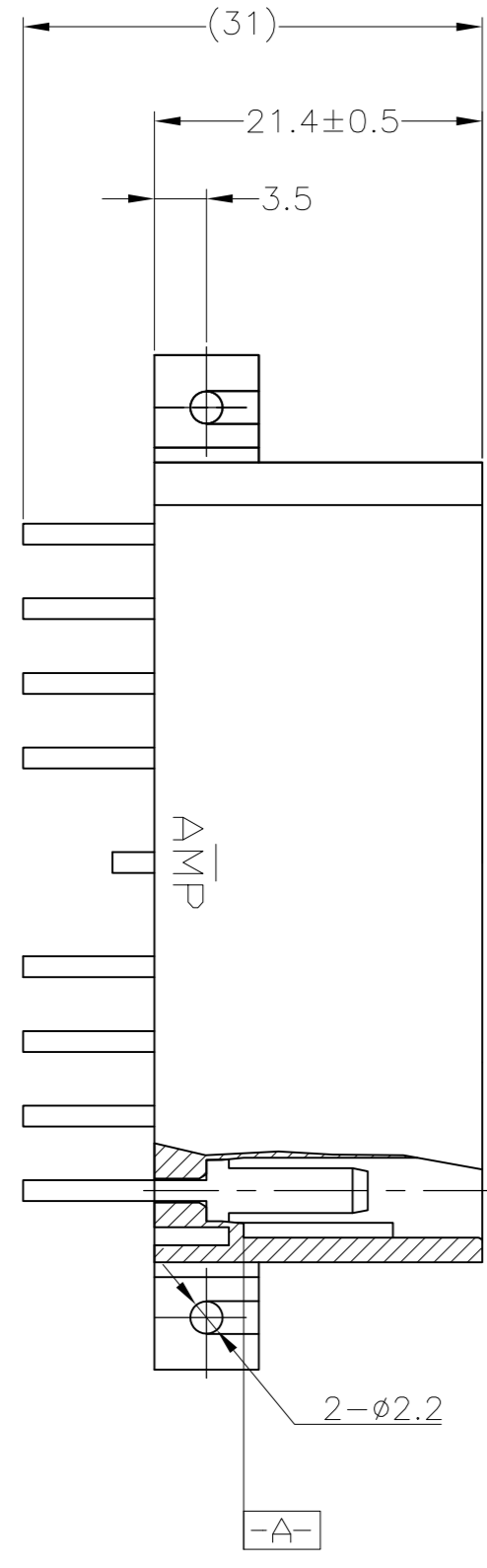
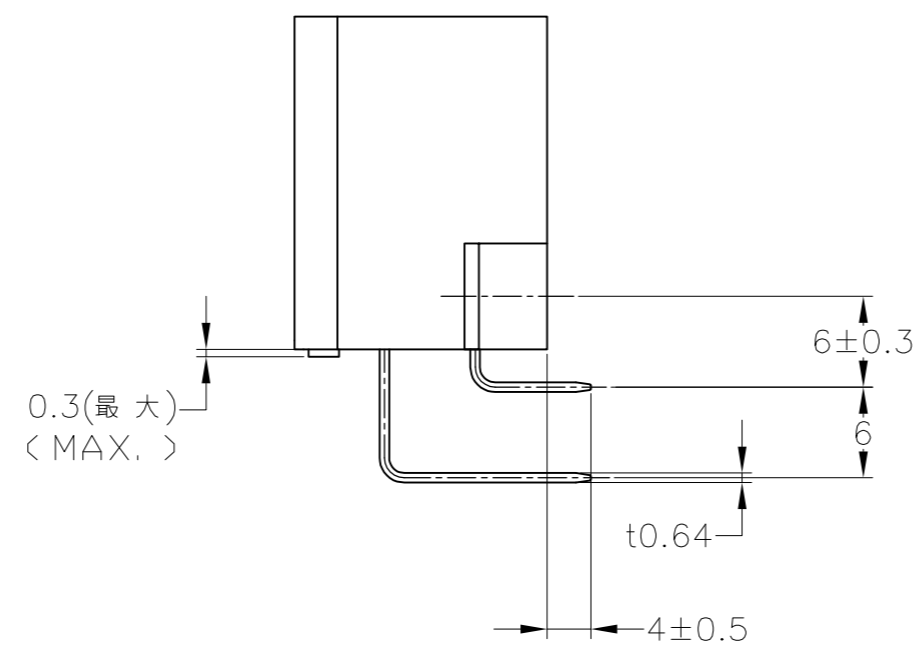


THIS DRAWING IS UNPUBLISHED. RELEASED FOR PUBLICATION
 © COPYRIGHT - By - ALL RIGHTS RESERVED.

LOC	DIST	REVISIONS				
J	-	P	LTR	DATE	DWN	APVD
		F5		07APR11	RK	HMR
		DESCRIPTION			REVISED PER ECO-11-005140	
		DESIGN			ECO-11-005140	



- 注記:
- ① 相手ハウジングと所定の機能を満たしてかん合できること。
 - ② フードの反りは0.2以内。
 - ③ プリント基板への取付けは JIS B1115 M3 1種のタッピンネジで締め付けた後はんだ付けする。
 - ④ 適用製品規格: 108-5093
 - ⑤ [-A-] 面より2mmの範囲で測定のこと。
 - ⑥ 相手ハウジングとのかん合力は、29.4N以下
 但し、リセプタクルコンタクトは含まない。



- NOTE:
- ① IN COUPLING WITH THE PLUG HOUSING MATING SATISFIES FUNCTION
 - ② WARPAGE 0.2 MAX.
 - ③ SOLDERING AFTER MOUNTING P. C. BOARD BY 3mmDIA TAPPING SCREW, SPECIFIED IN JIS B1115
 - ④ PRODUCT SPEC NO. 108-5093
 - ⑤ TO BE MEASURED WITHIN 2mm FROM [-A-]
 - ⑥ IN COUPLING WITH THE PLUG HOUSING MATING FORCE 29.4N MAX. WITHOUT RECEPTACLE CONTACT

TOLERANCE UNLESS OTHERWISE SPECIFIED: 一般公差

0 < x ≤ 10	: ±0.2
10 < x ≤ 30	: ±0.25
30 < x ≤ 100	: ±0.3
ANGLE	: ±3°

	SELECTIVE-TIN (MATTE)	SELECTIVE GOLD (0.38μm MIN.)	NATURAL	2-5171366-1
	SELECTIVE-TIN (MATTE)	SELECTIVE GOLD (0.76μm MIN.)	NATURAL	1-5171366-1
OBSOLETE	TIN-LEAD	SELECTIVE GOLD (0.38μm MIN.)	YELLOW	2-171366-7
	TIN-LEAD	SELECTIVE GOLD (0.38μm MIN.)	GREEN	2-171366-4
	TIN-LEAD	SELECTIVE GOLD (0.38μm MIN.)	NATURAL	2-171366-1
OBSOLETE	TIN-LEAD	SELECTIVE GOLD (0.76μm MIN.)	GREEN	1-171366-4
	TIN-LEAD	SELECTIVE GOLD (0.76μm MIN.)	NATURAL	1-171366-1
	PRE-TIN	PRE-TIN BRASS	GRAY	171366-6
OBSOLETE		PRE-TIN	BLUE	171366-5
		PRE-TIN	GREEN	171366-4
		PRE-TIN	BROWN	171366-3
		PRE-TIN	BLACK	171366-2
		PRE-TIN	NATURAL	171366-1
	SOLDERING SIDE 半田付け部	CONTACT SIDE 接触部側	COLOR 色	PART NUMBER 製品型番
	CONTACT FINISH コンタクト仕上			

THIS DRAWING IS A CONTROLLED DOCUMENT.

DWN/DES: T.SHINOHARA 31AUG07
 CHK/CH: K.BETSUI 31AUG07
 APVD/APR: K.BETSUI 31AUG07

PRODUCT SPEC: 製品規格
 APPLICATION SPEC: 取付適用規格

SEE NOTE 4

MATERIAL: HSG: 66 NYLON CONTACT: BRASS
 FINISH: 仕上

WEIGHT: -

TE Connectivity

17P HORIZONTAL TYPE CAP HOUSING
 MULTI-INTERLOCK CONN.
 WIRE TO PCB

SIZE: A2 CAGE CODE: 00779 DRAWING NO: 171366
 RESTRICTED TO: -

CUSTOMER DRAWING/DESENHO DE CLIENTE SCALE: 2:1 SHEET: 1 OF 1 REV: F5