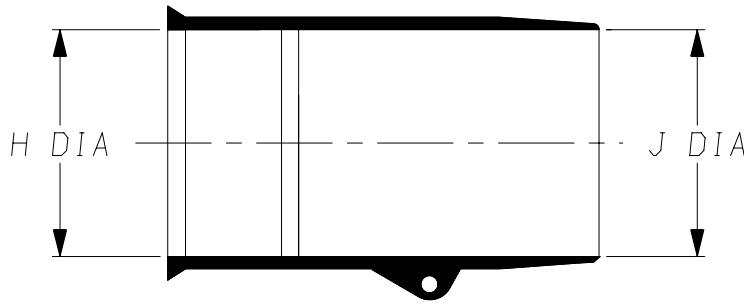
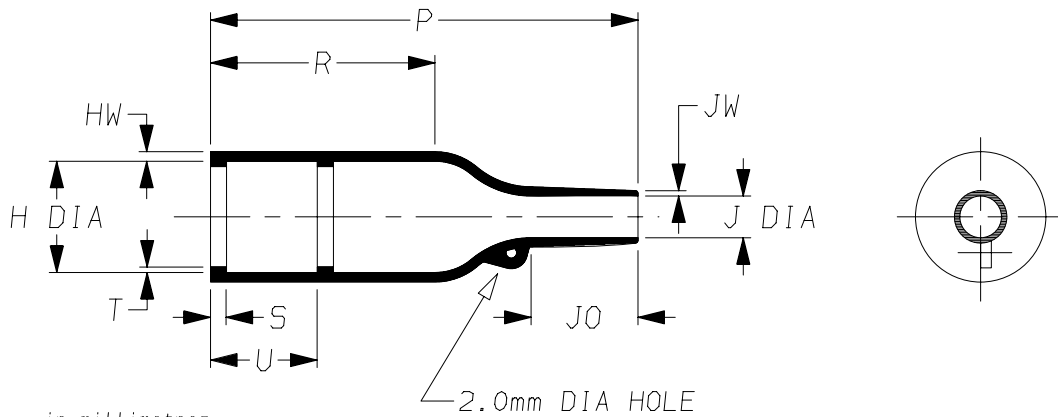


a) Part as supplied.

202K1**-*-01



b) Part after unrestricted recovery.



DIMENSIONS in millimetres
{in inches, for reference}

Part No.	H		J		P	R	S	T	U	JO	HW	JW
	Min a	Max b	Min a	Max b	±10% b	±10% b	±10% b	±10% b	±10% b	±10% b	±20% b	±20% b
202K121-*-01	24 {0.94}	10.4 {0.41}	24 {0.94}	5.6 {0.22}	26 {1.02}	9 {0.35}	3.0 {0.12}	1.0 {0.04}	①	8.5 {0.33}	1.6 {0.06}	0.9 {0.04}
202K132-*-01	30 {1.18}	14.2 {0.56}	30 {1.18}	5.9 {0.23}	43 {1.69}	20 {0.79}	3.0 {0.12}	1.0 {0.04}	①	11.5 {0.45}	1.8 {0.07}	1.0 {0.04}
202K142-*-01	31 {1.22}	18.0 {0.71}	31 {1.22}	7.1 {0.28}	47 {1.85}	15 {0.59}	3.0 {0.12}	1.0 {0.04}	①	17.0 {0.67}	1.8 {0.07}	1.0 {0.04}
202K153-*-01	36 {1.42}	22.4 {0.88}	36 {1.42}	8.4 {0.33}	60 {2.36}	22 {0.87}	3.0 {0.12}	1.0 {0.04}	①	19.5 {0.77}	2.0 {0.08}	1.0 {0.04}
202K163-*-01	43 {1.69}	28.2 {1.11}	43 {1.69}	9.9 {0.39}	79 {3.11}	41 {1.61}	3.0 {0.12}	1.7 {0.07}	20 {0.79}	21.0 {0.83}	2.2 {0.09}	1.0 {0.04}
202K174-*-01	60 {2.36}	35.1 {1.38}	60 {2.36}	15.7 {0.62}	110 {4.33}	52 {2.05}	3.0 {0.12}	1.7 {0.07}	20 {0.79}	39.0 {1.54}	3.2 {0.13}	1.5 {0.06}
202K185-*-01	66 {2.60}	44.5 {1.75}	66 {2.60}	16.8 {0.66}	150 {5.91}	70 {2.76}	3.0 {0.12}	2.0 {0.08}	20 {0.79}	51.5 {2.03}	3.8 {0.15}	2.0 {0.08}

#

This is a trimmed variant
Modified dimensions are shown thus:- #

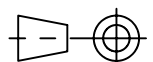
Copyright (!)

The copyright in this drawing is the property of Tyco Electronics UK Ltd. The drawing is issued on the condition that it is not copied, reproduced or disclosed to a third party, either in whole or in part without the prior written consent of Tyco Electronics UK Ltd.

Drawn A.LILLEY. Checked Issue 4 Date April 2007

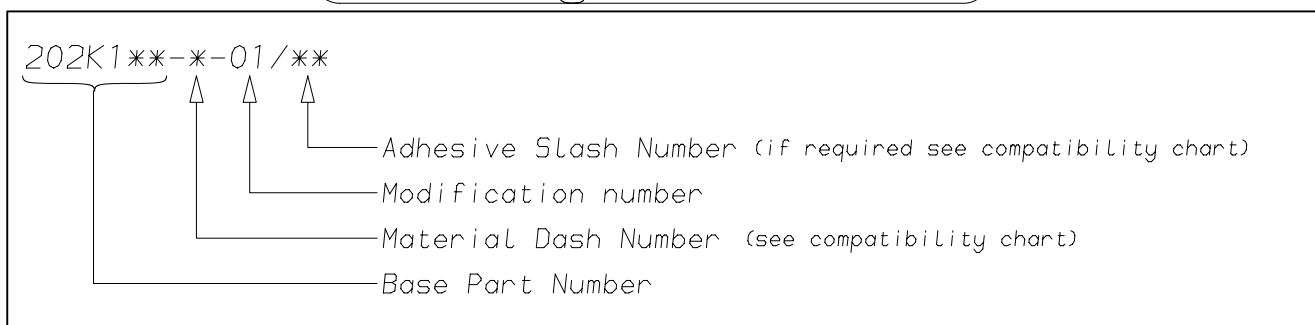
Conforms to ISO Recommendations
3rd Angle Projection
Not to Scale

Approval Design MKTG. Q.A.



Raychem		Specification Control Drawing	Part Number 202K1**-*-01 Issue 4
Iss.	Date	E.C.R. No.	Details of Change
2	October 2001	****	Redrawn
3	October 2002	CR02-HM-0001	202K121, JW was 0.5
4	April 2007	CR07-HM-010	Document title was 202K121 thru 185-*-01

(Ordering Information)



(COMPATIBILITY CHART)

Material Dash Number	Material Description	SPEC Number	Coating Slash Number
-3	POLYOLEFIN, SEMI-RIGID	RT-301, RK-6703	/42, /86, /180
-4	POLYOLEFIN, FLEXIBLE	RT-1304 RT-1050	/42, /86, /180
-6	SILICON	RT-602, RK-6706	N/A
-25	ELASTOMER, FLUID RESISTANT	RT-1325, RK-6713	/42, /86, /225
-130	POLYOLEFIN, COMMERCIAL FLEXIBLE	RW-2008	/42

NOTES

- ① Dimension U does not apply on sizes 202K121 thru 202K153.
- ② If eyelet clip (000W212) is required with part then add CS-1858 to description (i.e. 202K132-3-01-CS-1858-0).
- ③ As supplied dimensions are for uncoated parts, when coating is added entry diameters will reduce by 1.5mm Max.

Tyco Electronics UK Ltd. Faraday Road, Swindon, Wiltshire, SN3 5HH England Telephone: (01793) 528171 Fax: 572516	Tyco Electronics Corporation 300, Constitution Drive, Menlo Park, CA 94025 USA Telephone (650) 361-3860 Fax: (650) 361-5579
Cage Code K1010	Cage Code 06090