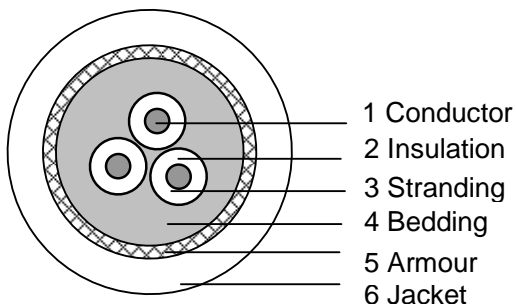


APPLICATION

Triple protected highly flexible PVC insulated and sheathed power cable for exceptional mechanical and electrical protection, generally in accordance with VDE0250

CONSTRUCTION



1. Conductor	Material Dimensions	Stranded bare copper 24x0.20 mm (0.75 mm ²)
2. Insulation	Material Diameter	PVC 2.34 ± 0.05 mm
3. Stranding	Lay up Colours	3 cores stranded Blue, brown and yellow/green
4. Bedding	Material Diameter Nominal wall	PVC 5.95 ± 0.20 mm 0.45 mm
5. Armour	Material Diameter Coverage	Galvanized steel wire 7.03 64 %
5. Jacket	Material Diameter Nominal wall	PVC 9.03 ± 0.20 mm 1.00 mm

CONTROLFLEX SY LEADFREE
3*0.75 mm² blk.**REQUIREMENTS AND TEST METHODS****Electrical:**

Voltage rating conductor to earth	300 V RMS
Voltage rating conductor to conductor	500 V RMS
Maximum resistance conductor @ 20°C	26.0 Ω/km
Maximum continuous current per conductor @ 25°C	1 x 6 A

Mechanical and physical:

Temperature range processing	-5 to +70 °C
Temperature range operating (moving installation)	-5 to +70 °C
Temperature range operating (fixed installation)	-30 to +70 °C
Temperature range storage	-30 to +70 °C
Nominal weight per 100m	11.5 kg
Maximum pulling tension	150 N
Minimum bending radius	10 x D



Belden CDT believes this product to be in compliance with the environmental regulations EU RoHS (Directive 2002/95/EC, 27 January 2003); this is valid for all material produced after the RoHS compliant date for this product.