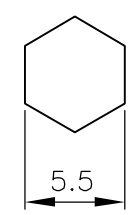


THIS DRAWING IS UNPUBLISHED. RELEASED FOR PUBLICATION APRIL, 2004.
 © COPYRIGHT 2004 BY TYCO ELECTRONICS CORPORATION. ALL RIGHTS RESERVED.

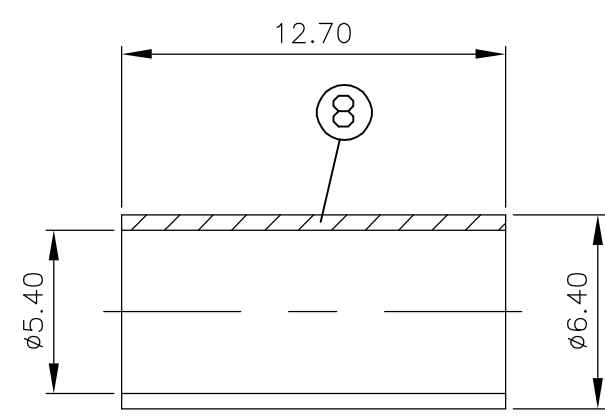
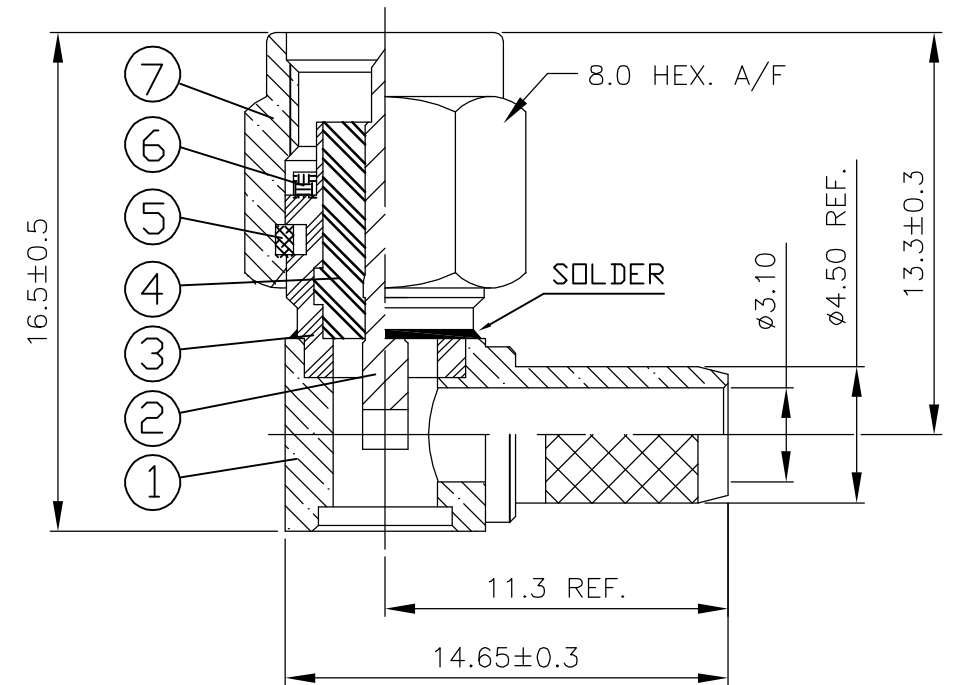
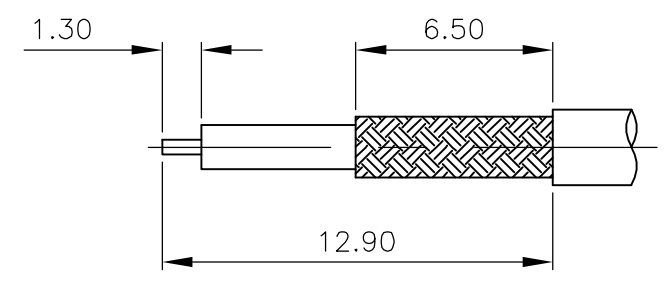
LOC	DIST	REVISIONS			
P	LTR	DESCRIPTION	DATE	DWN	APVD
E	B	A	EBD0-0035-03	10FEB04	RS FWK

- NOTES:
- ① SINGLE PACK IN ACCORDANCE WITH SPEC 107-3275
 - ② 100 TRAY PACK IN ACCORDANCE WITH SPEC 107-3275
 - ③ 0.08µm Au PLATING OVER 1.27µm Ni PLATING
 - ④ 0.08µm Au PLATING OVER 1.27µm Ni PLATING OVER 0.76µm Cu PLATING
 - ⑤ 0.76µm Au PLATING OVER 1.27µm Ni PLATING OVER 0.76µm Cu PLATING
 - ⑥ PASSIVATED
 - ⑦ WHITE BRONZE PLATING
 - ⑧ PLATING AS PER BODY, EXCEPT FOR PASSIVATED WHICH IS NICKEL PLATED
 - 9 HAND TOOL 9-1478240-0
 - 10 DIE SET 9-1478242-0
 - 11 FOR TECHNICAL DATA REFER TO YOUR LOCAL TYCO ELECTRONICS SALES OFFICE
 - 12 ALL DIMENSIONS ARE NOMINAL FOR REFERENCE ONLY UNLESS OTHERWISE STATED

RECOMMENDED
CRIMP SLEEVE
A/F HEX



RECOMMENDED
CABLE STRIPPING DIM'S



QTY	LOC	DIST	P	LTR	DESCRIPTION	DATE	DWN	APVD	MATERIAL	DESCRIPTION	ITEM
1	1	-	-	-	-	-	-	-	BRASS	⑦ CAP	9
-	-	1	1	-	-	-	-	-	BRASS	④ CAP	9
-	-	-	-	1	1	-	-	-	STAINLESS STEEL	⑥ CAP	9
-	-	-	-	-	-	1	1	-	STAINLESS STEEL	③ CAP	9
1	1	1	1	1	1	1	1	-	BRASS	⑧ CRIMP SLEEVE	8
1	1	-	-	-	-	-	-	-	BRASS	⑦ SHELL	7
-	-	1	1	-	-	-	-	-	BRASS	④ SHELL	7
-	-	-	-	1	1	-	-	-	STAINLESS STEEL	⑥ SHELL	7
-	-	-	-	-	-	1	1	-	STAINLESS STEEL	③ SHELL	7
1	1	1	1	1	1	1	1	-	SILICON	GASKET	6
1	1	1	1	1	1	1	1	-	STAINLESS STEEL	CIRCLIP	5
1	1	1	1	1	1	1	1	-	PTFE	INSULATOR	4
1	1	-	-	-	-	-	-	-	BRASS	⑦ BODY	3
-	-	1	1	-	-	-	-	-	BRASS	④ BODY	3
-	-	-	-	1	1	-	-	-	STAINLESS STEEL	⑥ BODY	3
-	-	-	-	-	-	1	1	-	STAINLESS STEEL	③ BODY	3
1	1	1	1	1	1	1	1	-	BRASS	⑤ CENTER CONTACT	2
1	1	-	-	-	-	-	-	-	BRASS	⑦ BODY	1
-	-	1	1	-	-	-	-	-	BRASS	④ BODY	1
-	-	-	-	1	1	-	-	-	STAINLESS STEEL	⑥ BODY	1
-	-	-	-	-	-	1	1	-	STAINLESS STEEL	③ BODY	1
4--1	4--0	3--1	3--0	2--1	2--0	1--1	1--0		MATERIAL	DESCRIPTION	ITEM
②	①	②	①	②	①	②	①				

QUANTITY PER ASSY

PARTS LIST

THIS DRAWING IS A CONTROLLED DOCUMENT.		DWN R.SMITH 10FEB04	Tyco Electronics Corporation Bideford, UK, EX39 4HE	
DIMENSIONS: mm		CHK S.PARLOW 10FEB04		
TOLERANCES UNLESS OTHERWISE SPECIFIED:		APVD F.WHEELER-KING 10FEB04	NAME SMA RIGHT ANGLE CRIMP ATTACHMENT CAPTIVE CONTACT RG58C/U, 141A/U, URM43, URM76, KX15	
0 PLC ± -		PRODUCT SPEC 108-3460	SIZE A3	
1 PLC ± -		APPLICATION SPEC 411-3276	CAGE CODE 00779	
2 PLC ± -		WEIGHT -	DRAWING NO C-1478923	
3 PLC ± -		CUSTOMER DRAWING	RESTRICTED TO -	
4 PLC ± -			SCALE 1:1	SHEET 1 OF 1
ANGLES ± -				
FINISH -				
MATERIAL SEE TABLE				