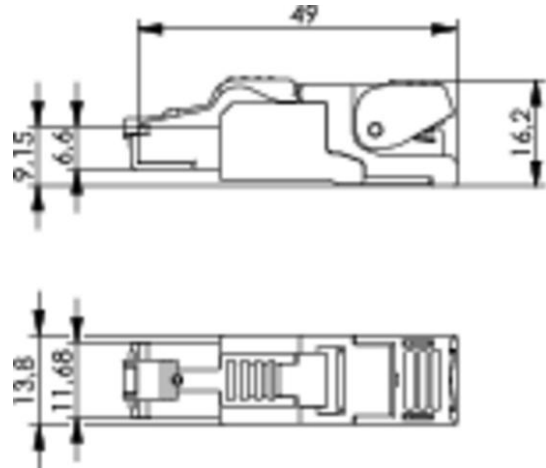


order number: J00026A2001

field assembly RJ45 plug MFP8 T568 B Cat.6_A



Technical Attributes	
Short name	MFP8 T568 B Cat.6 _A
Remarks	AWG 27/7-22/7, AWG 24/1-22/, incl. preassembled dust protection cap

Performance Characteristics

- preassembled protection cap
- robust zinc diecast housing
- 360° shielding
- full metal shielding between pairs of wires
- three strain relief settings (cable diameters 5.0 mm to 9.0 mm)
- can be assembled in 60 seconds without any special tools
- optimised for the field, including demanding applications
- secure transmission even with outside interference
- four-chamber wire manager (available with colour code T568A or T568B)
- suitable for cabling in office buildings, data centers, industrial facilities and home networks
- supreme reliability
- ideal for network repairs, special length and extensions
- piercing contacts suitable for conductor cross-sections AWG27/7 - 22/7; AWG24/1 - 22/1

Mechanical Characteristics	
Insertion force	≤ 30N
Durability (mating cycles)	≥ 750
Reusable IDC	≤4 cycles
Material: contacts	spring steel
Material: contact finish	Ni1,2Au0,8
Material: connector housing	PC UL94 V0
Material: insertion	
Material: PCB	FR4 UL 94 V0
Material: piercing contacts	phosphor bronze tinned
Material: shield contact	brass, nickel-plated
Material: wire pair presorting	PC UL94 V0 white
Material: uplock hook	PBT UL94 V0
Material: shielding housing	zinc diecast, nickel-plated
Material: cable clamp	PBT UL94 V0
Material: dust cap	PBT UL94 V0
Material: cable boot	
Mating Requirements Cu-Conductor diameter: solid	0.51 - 0.64 mm (AWG24/1-22/1)
Mating Requirements Cu-Conductor diameter: stranded	0.46 - 0.76 mm (AWG27/7-22/7)
Core Diameter	0.85 - 1.6 mm
Overall cable diameter	5.0 - 9.0 mm
Crimp tool	

Climatic Characteristics	
Temperature range	-40°C ... 70°C
UL	E244889

Electrical Characteristics	
Current carrying capacity at 50°C	1 A

PoE+ acc to IEEE 802.3at	Adequate for Power over Ethernet+
--------------------------	-----------------------------------

Standards	
-----------	--

Connectors	IEC 60603-7-51
------------	----------------

Transmission Characteristics	
------------------------------	--

Gigabit Ethernet acc. to IEEE 802.3	
-------------------------------------	--

10 Gigabit Ethernet acc. to IEEE 802.3an	Adequate for 10 Gigabit Ethernet
--	----------------------------------