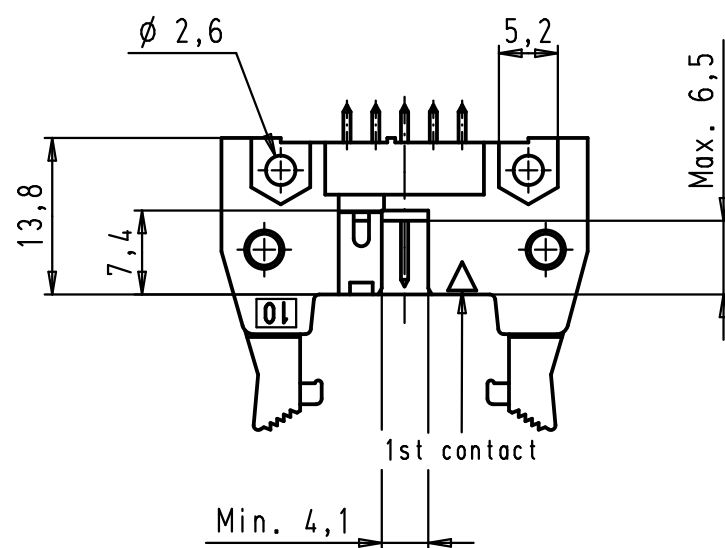
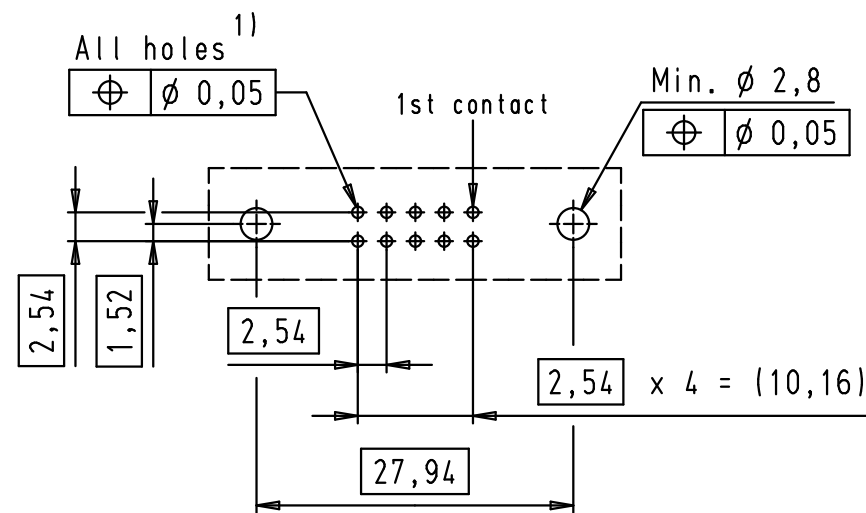
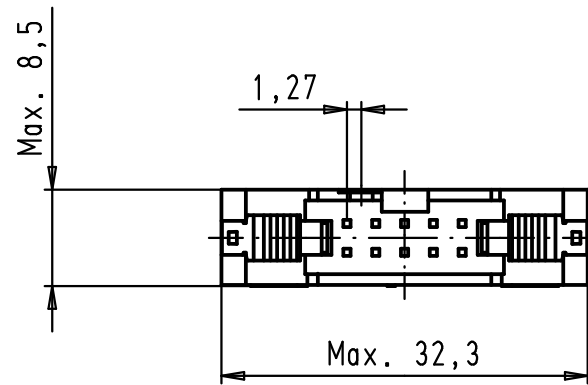


PCB layout, component side



1) Solder pins for PCB connections  
 $\phi 1 \pm 0,1$  according to IEC 60 326-3

Alle Rechte vorbehalten/ All rights reserved

|                |                       |     |
|----------------|-----------------------|-----|
| 09 18 510 7902 | 3                     | 4,5 |
| 09 18 510 6902 | 2                     | 4,5 |
| 09 18 510 5902 | 0,76 $\mu\text{m Au}$ | 4,5 |
| 09 18 510 7904 | 3                     | 2,9 |
| 09 18 510 6904 | 2                     | 2,9 |
| 09 18 510 5904 | 0,76 $\mu\text{m Au}$ | 2,9 |
| Part number    | Performance level     | a   |

|       |          |      |                               |          |      |  |   |                            |
|-------|----------|------|-------------------------------|----------|------|--|---|----------------------------|
|       |          |      |                               | Det.     | Name | <br>All Dim. in mm<br>Orig. Size DIN A 3 | SEK 18 Male Connector Standard<br>10 poles<br>Straight solder pins<br>Long locking levers | Maßstab/<br>Scale<br>1,5:1 |
|       |          |      | Detail.                       | 01/12/99 | JB   |  |   |                            |
| 34900 | 28/01/08 | LP   | Insp.                         |          |      |  |   |                            |
| 33451 | 30/03/06 | JMDR | Stand.                        |          |      |  |   |                            |
| 27931 | 15/06/00 | JB   |                               |          |      |  | <b>TB 09 18 510 X90X</b>  | Blatt/<br>Page<br>1 / 2    |
| 26554 | 01/12/99 | JB   |                               |          |      |  |   |                            |
| Mod.  | Det.     | Name | HARTING EURL<br>F-95972 Paris |          |      |  |   |                            |