

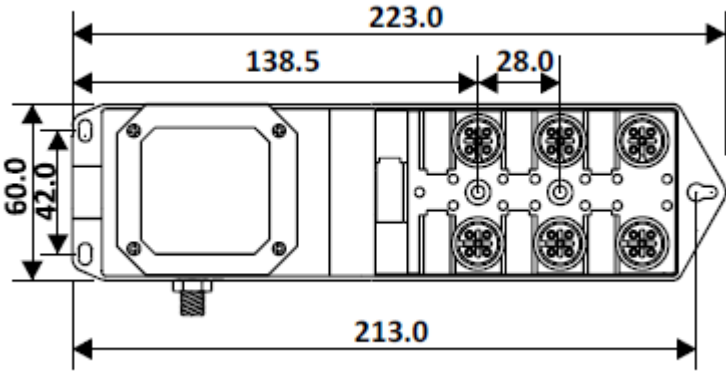
Datasheet

Junction Box With Zigbee Wireless

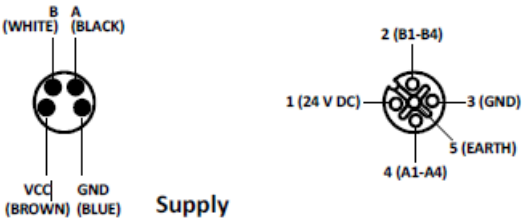
RS Stock 877-1230



Dimensions: (mm)



Connection Diagram





Specifications

Electrical

Supply	24 V DC \pm 10%
Operating Voltage	10 ... 30 V DC
Rated Current	Max. 20 mA per Port
Total Rated Current	Max. 350 mA
Connection	M08 Male Socket
I/Os Connection	M12, 5pin Female Socket
Port	6

Mechanical Characteristics

Housing Material	PBT Plastic
Material of Moulding Mass	Nylon 66
Contact Carrier Material	Nylon 66
Contact Material	Brass-Ni Plated
Contact Surface Material	Gold Plated
Material O-Ring	Neoprene
Protection	IP55

Environment Limits

Operating Temperature	0 ... 55°C
Storage Temperature	0 ... 70°C

Indications

Yellow LED	Power
Red LEDs	NC I/O (B)
Green LEDs	NO I/O (A)

MODBUS Communication

Protocol	MODBUS
Data Baud Rate	19200
Slave Address	01
Function Code	03
Quantity of Register	01
Communication Topology	RS485