

1

2

3

4

A

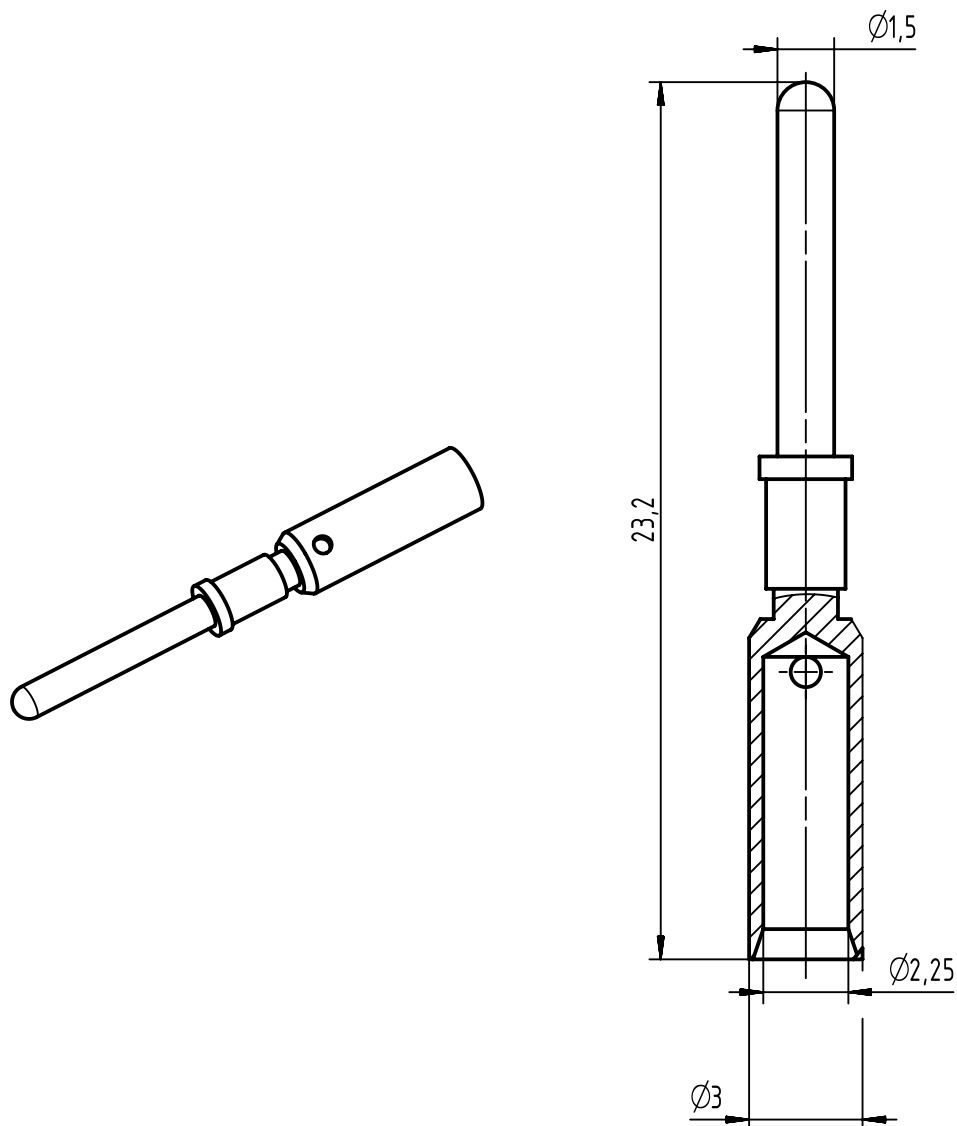
B

C

D

E

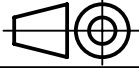
F



this crimp contact should be processed with:

locator 09990000638
hand crimping tool 09990000509

surface			
pl	Ni (μm)	NiP (μm)	Au (μm)
1	min. 1.5	min. 1.5	min. 0,15

	All rights reserved Department EC PD - RO	Created by STOICA	Inspected by AVRAM	Standardisation HOFFMANN	Date 2016-03-31	State Final Release
		Title M12 Power Male crimp contact for Plug 2.5 sqmm				
HARTING Electronics GmbH D-32339 Espelkamp		Type TB	Number 21011009926		Rev. B	Page 1/1