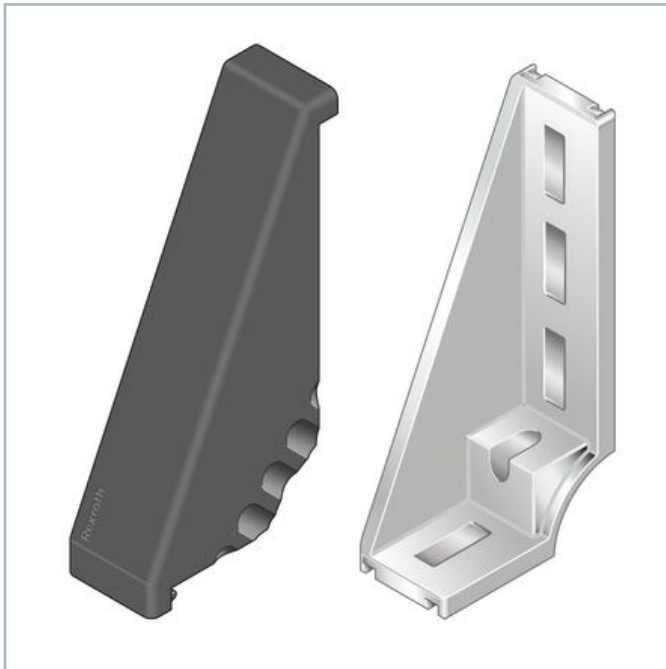
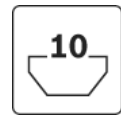
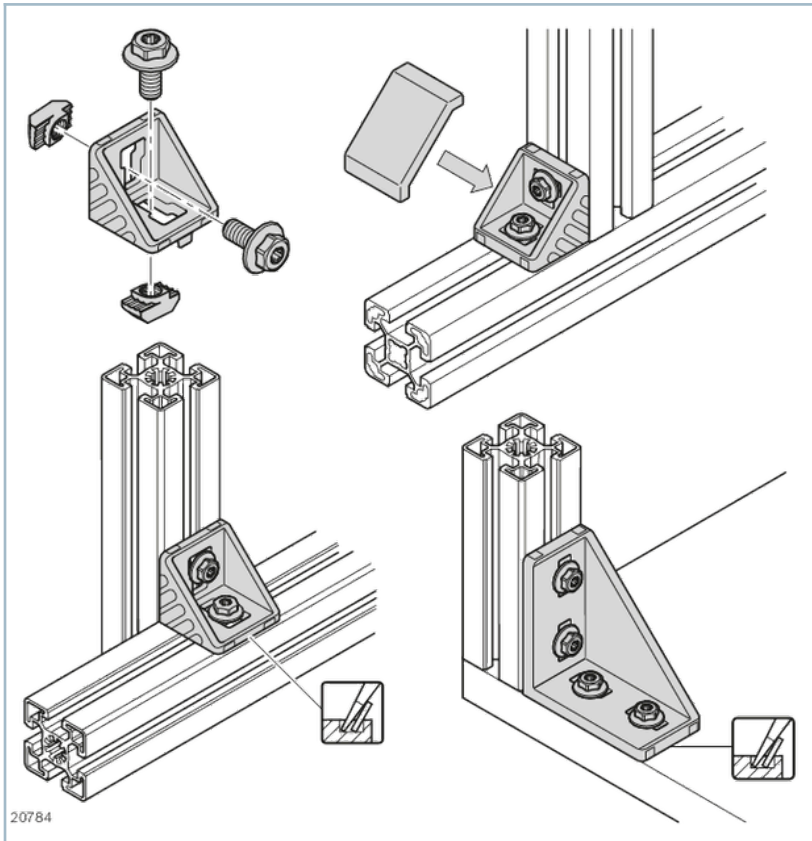


Bracket 45/180



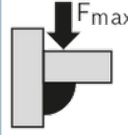
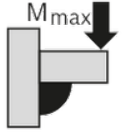
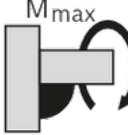



- Brackets with centering lugs for rapid, precise assembly with protection against turning
- Centering lugs can be easily broken off for assembly on plates or at right angles to the slot
- Version *designLINE* with special silver paint (RAL 9006) for an especially high-quality design
- Cover cap to protect from dirt, available in signal gray (RAL 7004) and black ESD (RAL 9005)
- Profile finishing: not required

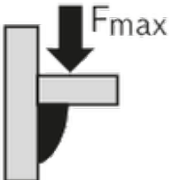
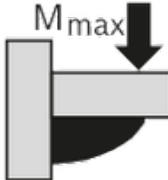
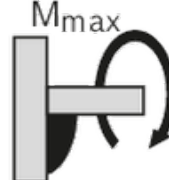
Product description



Connection elements, selection criteria

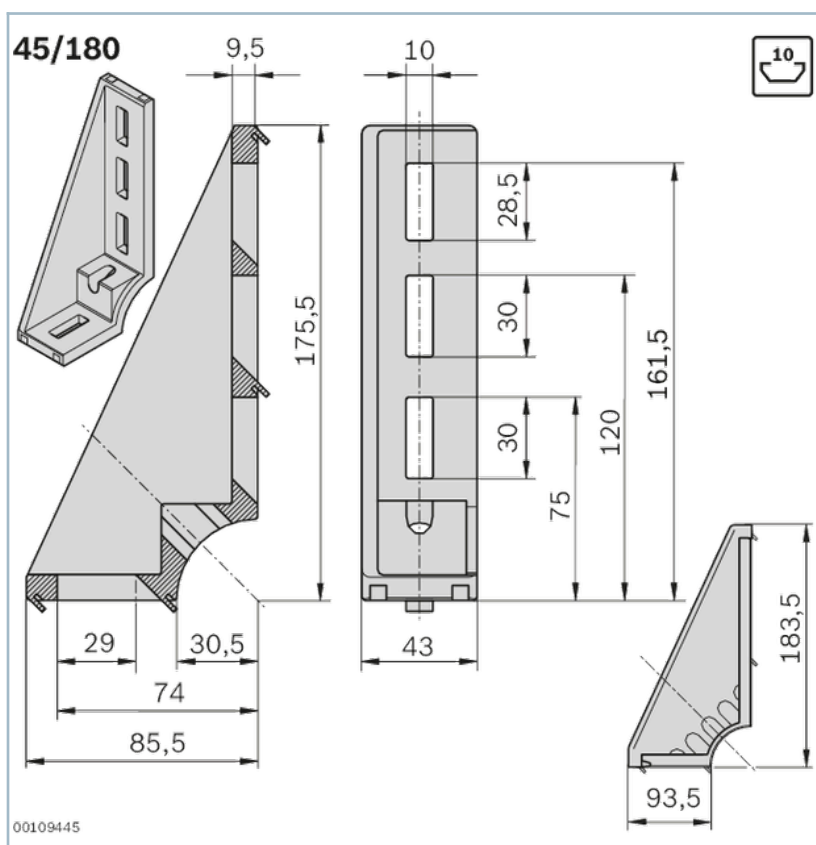
Technical data

	Groove	ESD	Material entry			
				F_{\max}	M_{\max}	M_{\max}
				N	Nm	Nm
Bracket	10		Bracket <i>designLINE</i> : Diecast aluminum; vibratory ground, painted (RAL 9006) Fastening material: steel; galvanized	9000	250	65
	10		Bracket: Diecast aluminum, vibratory ground	9000	250	65
Cover cap for bracket			PP			
			PP			

<p>Typ</p>			
<p>45 / 180</p>	<p>9000 N</p>	<p>250 Nm</p>	<p>60 Nm</p>

Dimensions

Bracket 45/180 with cover cap



Accessories

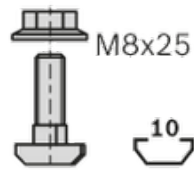
Recommended accessories

Cover cap for bracket 45/180, signal gray




Cover cap for bracket 45/180, black

Delivery notes

FS7



Ordering codes

	Groove	ESD	FS	No.
Bracket 45x180 set design <i>LINE</i>	10		2xFS7	3842551608
Bracket (standard) 45x180	10			3842523583
Cover cap for bracket 45/180, signal gray				3842548866
Cover cap for bracket 45/180, black				3842548867