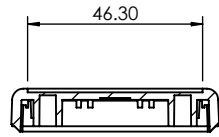


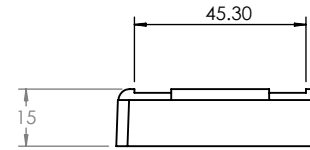
OVERALL ASSEMBLY DIMENSIONS :

EXTERNAL - 90 x 55 x 25

INTERNAL - 85 x 50 x 23.5



SECTION C-C



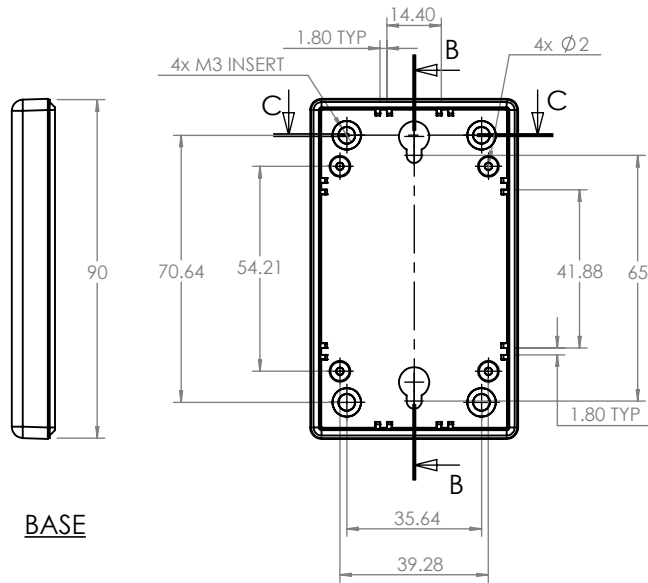
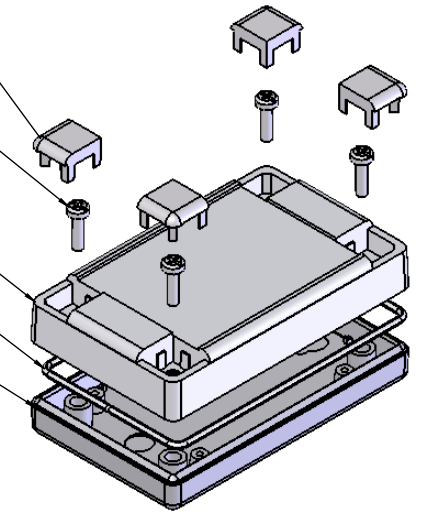
CORNER/SCREW CAP

M3 SCREW

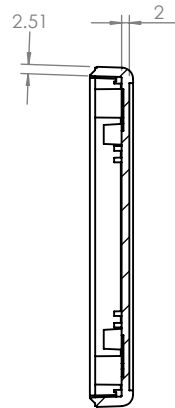
LID

GASKET

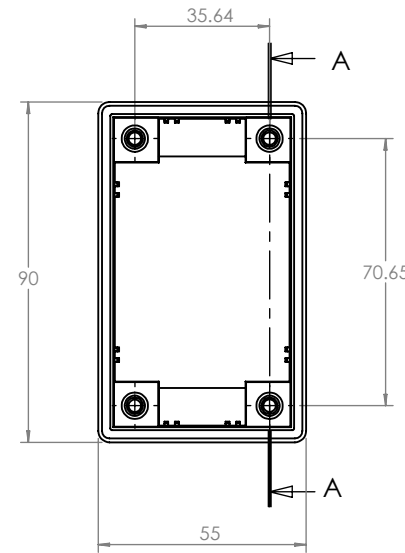
BASE



BASE

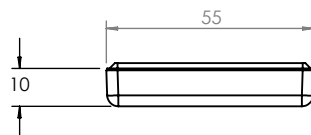


SECTION B-B



SECTION A-A

LID



|           |            |  |          |  |                                 |
|-----------|------------|--|----------|--|---------------------------------|
|           |            | UNLESS OTHERWISE SPECIFIED:<br>DIMENSIONS ARE IN MILLIMETERS |          | DO NOT SCALE DRAWING                                     | REVISION. <input type="radio"/> |
|           |            | GENERAL TOLERANCES +/- 0.2                                   |          | TITLE: ASSEMBLY DRG FOR RECESS DESIGNER CASE SIZE 1 GREY |                                 |
| FINISH.   |            | LIGHT SPARK  |          | DWG NO. CRDCGG001  |                                 |
| MATERIAL. |            | HB ABS   |          | A4   |                                 |
| DRAWN     | NAME       | SIGNED   | DATE     | SCALE: 1:2   |                                 |
| CHKD      | IAN PAGANO | I.P.   | 24/09/13 | SHEET 1 OF 1   |                                 |
|           |            |  |          | PROJECTION.  |                                 |