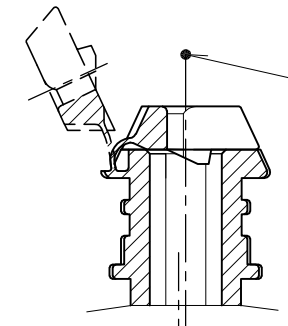
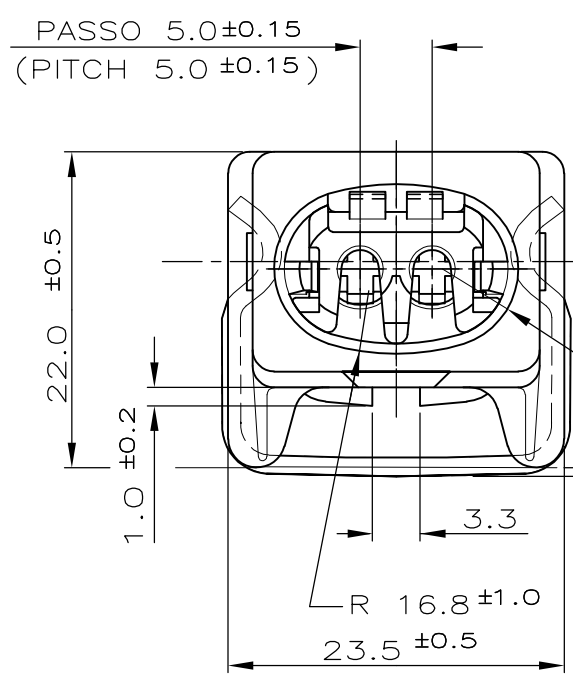
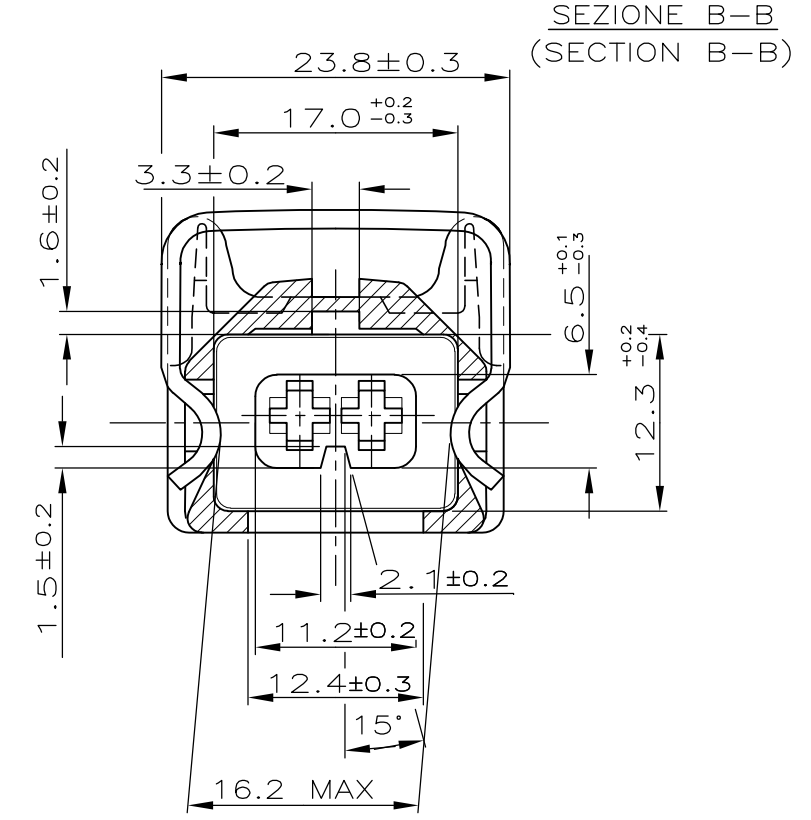
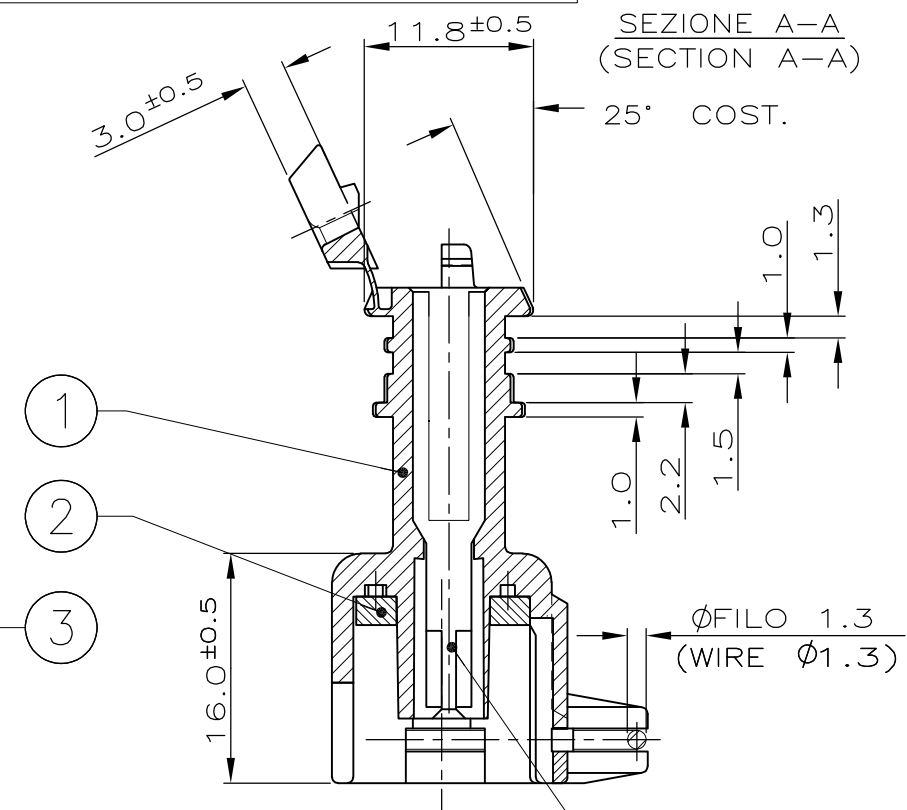
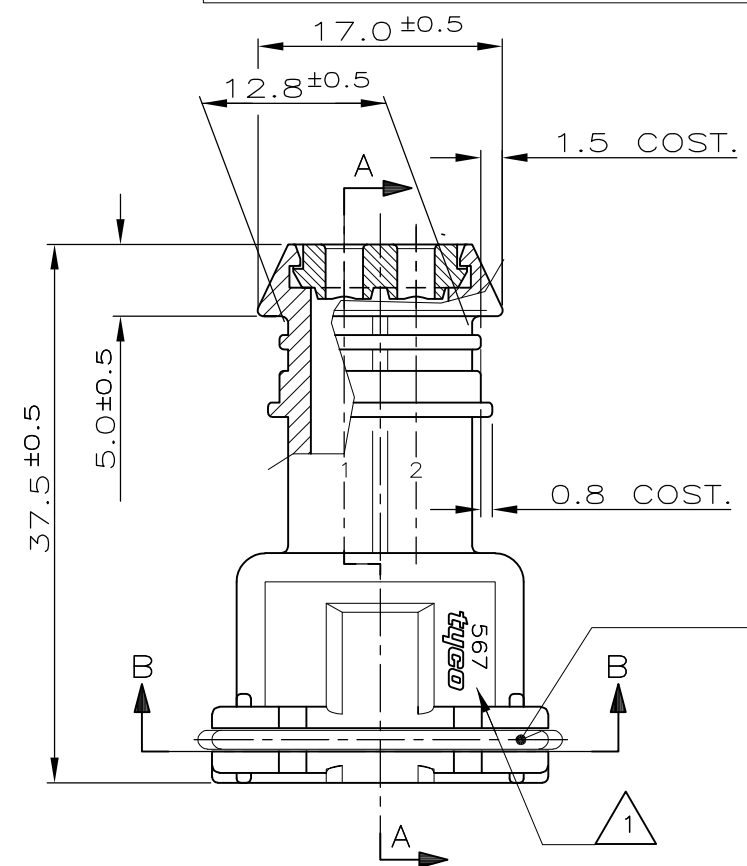


THIS DRAWING IS UNPUBLISHED. RELEASED FOR PUBLICATION
 © COPYRIGHT - By - ALL RIGHTS RESERVED.

LOC	DIST	REVISIONS			
P	LTR	DESCRIPTION	DATE	DWN	APVD
I	-	L4	REVISED PER ECO-11-005033	2APR11	RK HMR

CONNETTORE TIPO A (CON MOLLA DI RITEGNO ESTERNA)
 CONNECTOR TYPE A (WITH EXTERNAL SPRING)



ASSE CONNETTORE (CONNECTOR CENTER LINE)

TIP. CAVITA' PER TERMINALI AMP JPT P/N 929939-...
 OPPURE 929937-... E RELATIVI GOMMINI
 AMP P/N 828904-1, 828905-1, 282536-1.
 TAPPO CAVITA' P/N 828906-2
 (TYP. CAV. FOR JPT CONT. P/N 929939-.. A/O 929937-.. AND REL.
 SINGLE WIRE SEAL P/N 828904-1, 828905-1, 282536-1
 CAVITY PLUG P/N 828906-2)

METRIC	DIAM. ISOLANTE (INS. DIA. RANGE) 1.5-3.0 (REDUCED INS. CABLE)	RANGO FILO (WIRE RANGE) 0.5-2.5 mm ²
---------------	--	--

NERO (BLACK)	2-282189-1	3	//////	ACCIAIO INOX (STAINLESS STEEL)	MOLLA (SPRING)
ROSSO (RED)	282189-8	2	NATURALE (CLEAR)	GOMMA SILICONICA (SILICONE RUBBER)	GUARNIZIONE (RUBBER GASKET)
GIALLO (YELLOW)	282189-7	1	//////	PA 6.6 C.VETRO (PA 6.6 G.F.)	BLOCCHETTO (HOUSING)
MARRONE (BROWN)	282189-6				
BLU (BLUE)	282189-5				
VERDE (GREEN)	282189-4				
NATURALE (CLEAR)	282189-3				
GRIGIO (GREY)	282189-2				
NERO (BLACK)	282189-1				
COLORE (COLOR)	NUMERO (PART. N°)	N (ITEM)	FINITURA / COLORE (FINISH / COLOUR)	MATERIALE (MATERIAL)	DESCRIZIONE (DESCRIPTION)

CUSTOMER DWG. FOR REFERENCE ONLY
 DISEGNO PER CLIENTE SOLO PER RIFERIMENTO

THIS DRAWING IS A CONTROLLED DOCUMENT.

DWN: Ennio CINI NOV. 9'90
 CHK: C.TARTARI 13 OCT 92
 APVD: -
 PRODUCT SPEC: -
 APPLICATION SPEC: -
 WEIGHT: -

STE TE Connectivity

2 W.SPLASH PROOF CONN.ASS'Y with SECONDARY LOCK

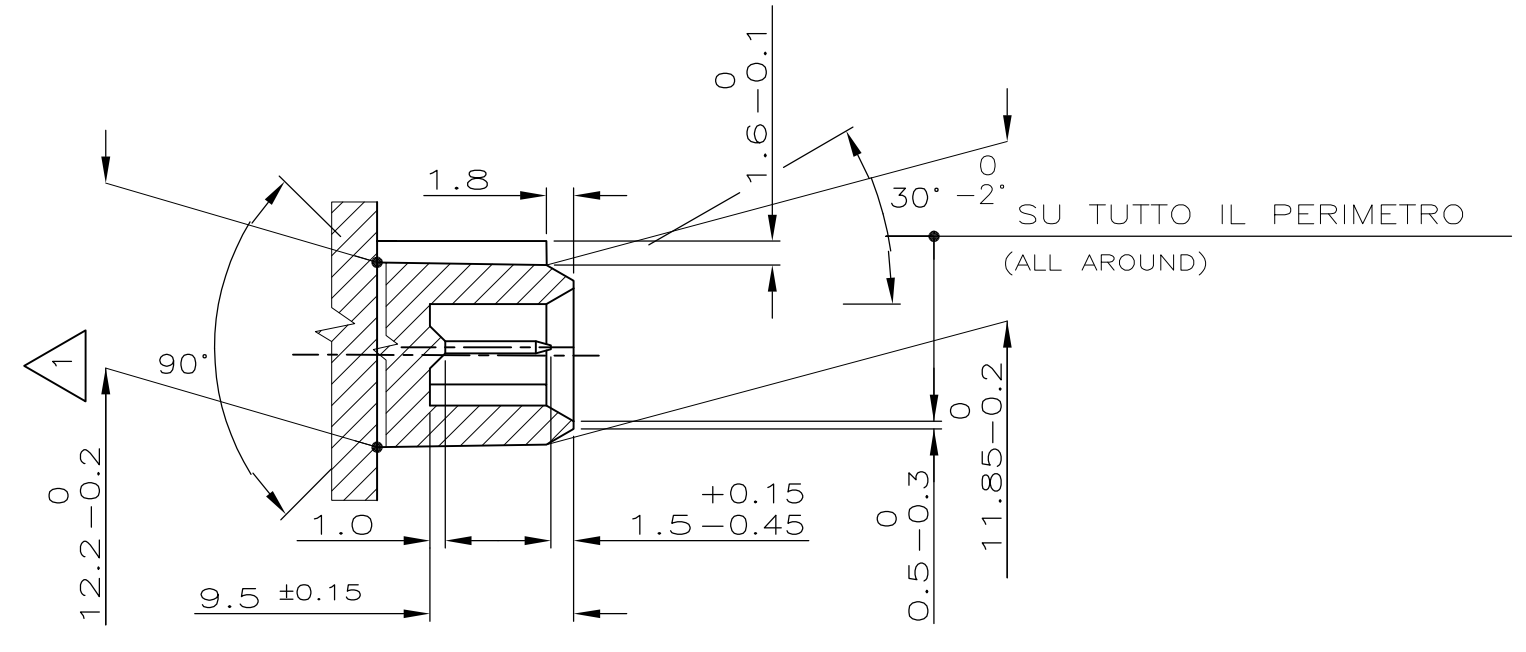
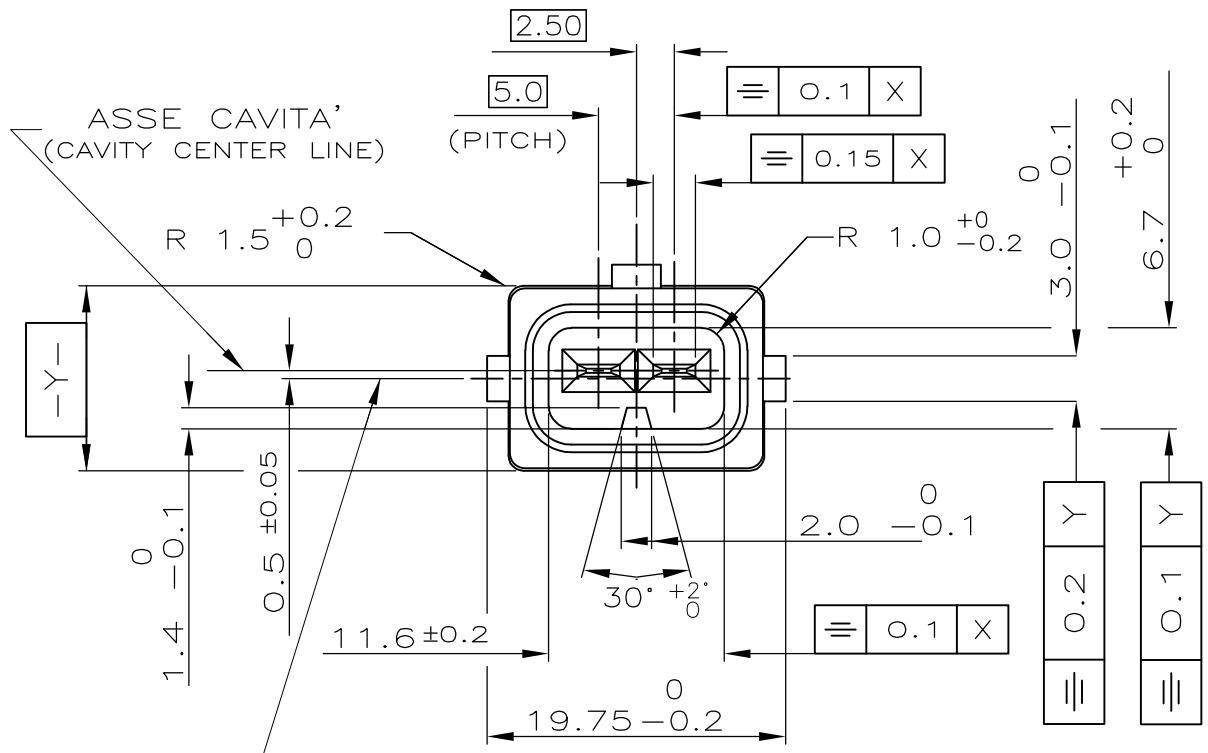
SIZE: A3 CAGE CODE: 00779 DRAWING NO: C-282189 RESTRICTED TO: -

CUSTOMER DRAWING SCALE: - SHEET: 1 OF 2 REV: L4

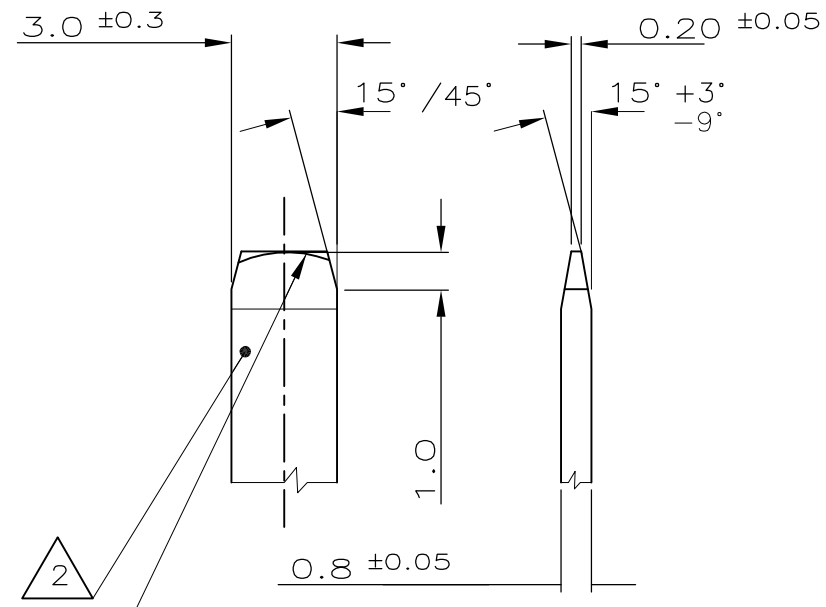
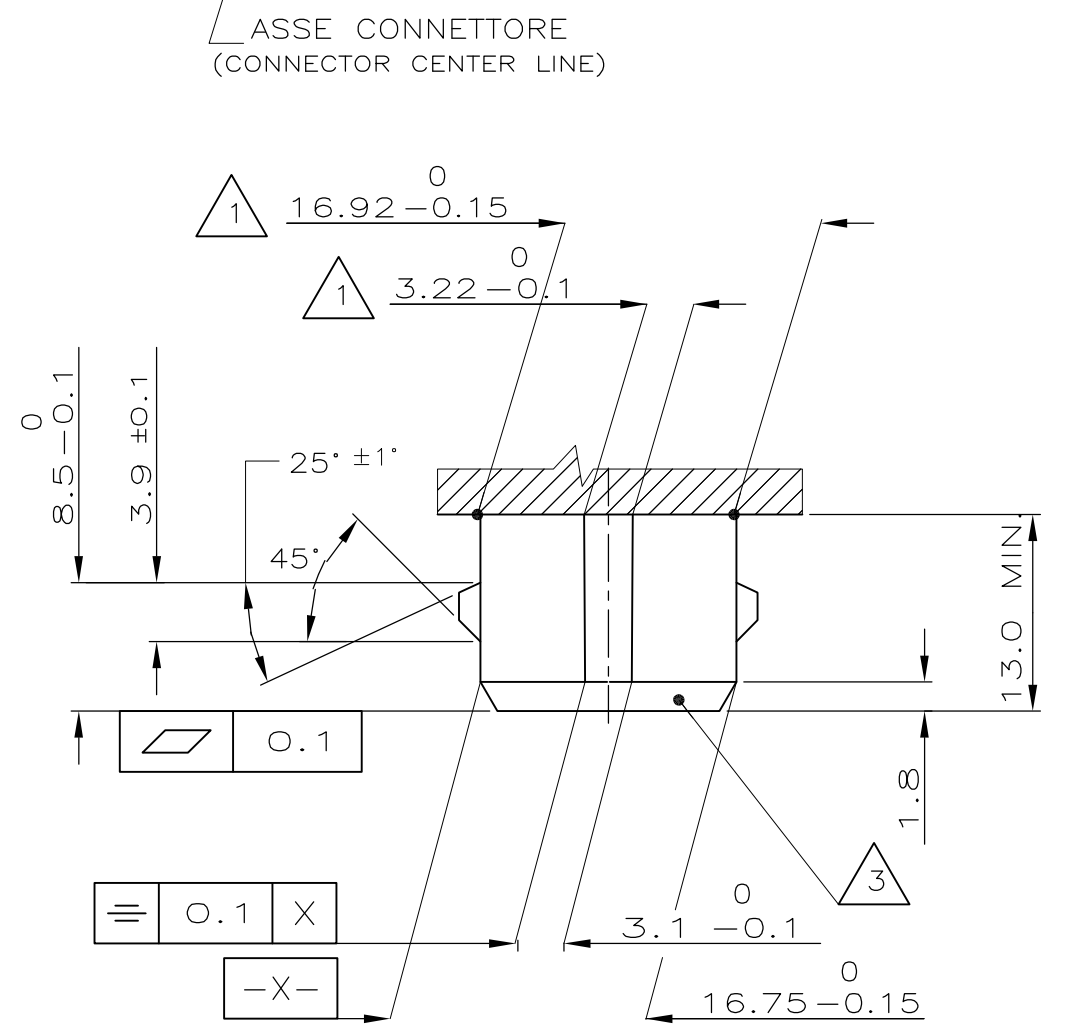
- 1 LOGO TYCO O, IN ALTERNATIVA, LOGO AMP (TYCO LOGO OR, IN ALTERNATIVE, AMP LOGO) (AMP)
- 2 DIFFERISCE DAL ..-1 ESCLUSIVAMENTE PER IL PACKAGING (DIFFERS FROM ..-1 ONLY FOR PACKAGING DETAILS)
- 3) PER DIMENSIONI CONTROPARTE VEDERE FOGLIO 2 (FOR COUNTERPART DIMENSIONS SEE SHEET 2)

THIS DRAWING IS UNPUBLISHED. RELEASED FOR PUBLICATION
 © COPYRIGHT - By - ALL RIGHTS RESERVED.

LOC	DIST	REVISIONS					
		P	LTR	DESCRIPTION	DATE	DWN	APVD
I	-	-	-	SEE SHEET 1	-	-	-



DETT. LINGUETTA TAB-SCALA 5:1-
 (TAB DETAIL)



FORMA ALTERNATIVA PERMESSA CON RAGGIO
 (ALLOWED ALTERNATIVE PROFILE WITH RADIUS)

- 1 QUOTE APPLICABILI PER SFORMATURA PEZZO (DRAFT PERMITTED TO FACILITATE REMOVAL OF PART FROM THE MOULD)
- 2 MATERIALE LINGUETTE: LEGA DI RAME STAGNATA, ES. OTTONE STAGNATO. (TAB CONTACT MATERIAL: TIN PLATED COPPER ALLOY. E.G. BRASS TIN PLATED)
- 3 MATERIALE BLOCCHETTO: TERMOPLASTICO CARICATO FIBRA VETRO. (HOUSING MATERIAL: THERMOPLASTIC, GLASS FIBER FILLED)

METRIC	DIAM. ISOLANTE (INS. DIA. RANGE)	RANGO FILO (WIRE RANGE)
	---	---

CUSTOMER DWG. FOR REFERENCE ONLY DISEGNO PER CLIENTE SOLO PER RIFERIMENTO

THIS DRAWING IS A CONTROLLED DOCUMENT.		DWN	-
DIMENSIONS: mm		CHK	-
TOLERANCES UNLESS OTHERWISE SPECIFIED:		APVD	-
0 PLC	± -	PRODUCT SPEC	-
1 PLC	± 0.3	APPLICATION SPEC	-
2 PLC	± -	WEIGHT	-
3 PLC	± -		
4 PLC	± -		
ANGLES	± 2'		
MATERIAL	FINISH		
-	-		

TE Connectivity		NAME	
		2 POS.SPLASH PROOF CONN.ASS'Y with SECONDARY LOCK	
SIZE	CAGE CODE	DRAWING NO	RESTRICTED TO
A3	00779	C-282189	-
CUSTOMER DRAWING		SCALE	SHEET 2 OF 2
		REV	L4

FINITURA / COLORE (FINISH / COLOUR)	MATERIALE (MATERIAL)	NUMERO (PART NUMBER)