

## Features

- 22mm x 30mm panel cutout
- 16A / 250VAC
- 50,000 cycles
- DPST
- Two buttons, one with red neon dot
- IP54

## RS PRO Push Button Switches

RS Stock No.: 8633550



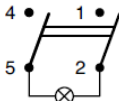
RS PRO is the own brand of RS. The RS PRO Seal of Approval is your assurance of professional quality, a guarantee that every part is rigorously tested, inspected, and audited against demanding standards. Making RS PRO the Smart Choice for our customers.

## Product Description

*IP54 double push button switch, 22x30mm, white body, 2 x black buttons, one with red dot illumination. Manufactured in Europe. Designed for panel mount applications.*

- *on-off latching*
- *Illuminated red dot*
- *Suitable for a wide range of applications including small appliances, HVAC and cleaning equipment.*

## General Specifications

Type	Double push button switch
Switch Operation	On-Off, Latching 
Contact Configuration	DPST
Illuminated	Yes
Lamp Colour	Red dot
Actuator Colour	Black
Actuator Shape	Rectangular
Legend	No legend
Case Colour	White

Material Characteristics	
Case	P66
Cap	P66
Base	P66
Lens	PC
Contact	Silver alloy
Terminals	Copper alloy, silver plated

## Electrical Specifications

Voltage Rating	250VAC
Terminal Type	Quick Connect 6.3x0.8mm

## Contact Specifications

Contact AC Voltage Rating	250V
Contact Current Rating	16(8)A at 250VAC - Resistive load (inductive load)
Distance Between Contacts	> 3 mm

## Mechanical Specifications

Mounting Type	Panel
Panel Cut Out Size	30.0mm x 22.0mm
Panel Cut Out Width	22mm
Panel Cut Out Height	30.0mm
Mechanical Life	50,000 operations min
Quick-Connect Terminal	6.3mm x 0.8mm
Weight	18g

## Operation Environment Specifications

Operating Temperature Range	Housing 125°C / Rocker 55 °C
-----------------------------	------------------------------

## Protection Category

IP Rating	IP54
-----------	------

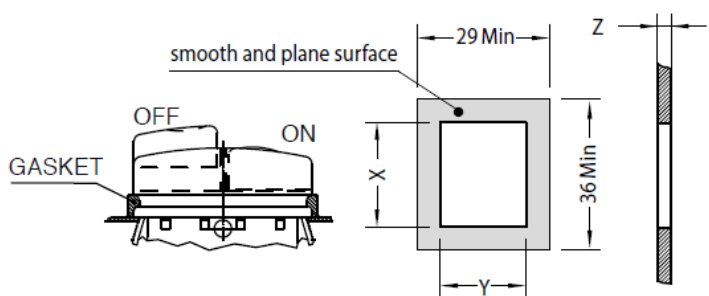
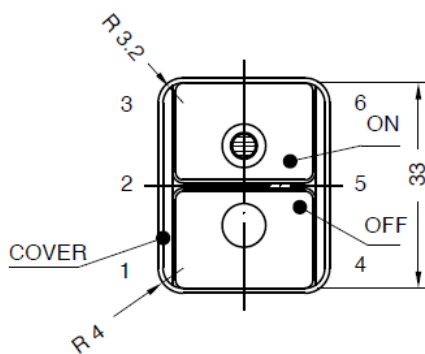
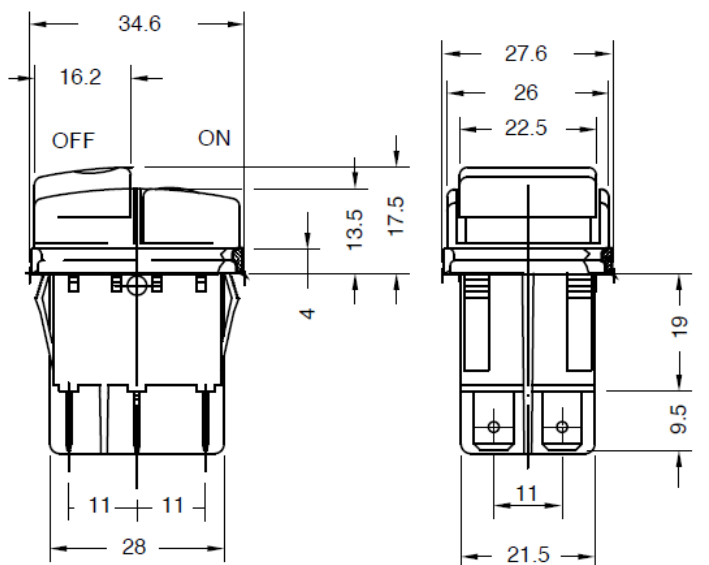
## Classification

Class of Appliance	II
--------------------	----

## Approvals

Compliance/Certifications	EN 61058-1, ENEC, UL, CE
Declarations	GWFI 850°C heat and fire resistance

## DIMENSIONAL/SCHEMATIC DIAGRAMS / ILLUSTRATIONS



POS.	DIM.	TOL.
Z	0.7/3.5	
Y	22	+0.1
X	30	+0.2

CUTOUT